

EN UP AND OVER GARAGE DOOR
Assembly and Operating Instructions

SK GARÁŽOVÁ BRÁNA VÝKLOPNÁ
Návod na montáž a obsluhu

DE GARAGENSCHWINGTOR
Montage und Bedienungsanleitung

HU BILLENŐ GARÁZSKAPU
Beszerelési és Kezelési Útmutató

PL BRAMA GARAŻOWA UCHYLNA
Instrukcja Instalowania i Obsługi

RO USĂ DE GARAJ BASCULANTĂ
Instrucțiuni de Instalare și deservire

FR PORTE DE GARAGE BASCULANTE
Notice de Montage et de Fonctionnement

HR GARAŽNA PODIZNA VRATA
Instrukcija za Instalaciju i Rukovanje

**RU ПОДЪЕМНО-ПОВОРОТНЫЕ
ГАРАЖНЫЕ ВОРОТА**
Инструкция по монтажу и эксплуатации

DA GARAGE VIPPEPORT
Monterings- og betjeningsvejledning

CS VÝKLOPNÁ GARÁŽOVÁ VRATA
Návod k instalaci a obsluze

SV GARAGEVIPPORTAR
Monterings och Funktions Instruktioner



TABLE OF CONTENTS:

1. General information	2
2. Terms and definitions acc. to standard	2
3. Description of symbols	2
4. Design description and technical data	2
4.1. Application and designation	2
5. Assembly recommendations	2
6. Required assembly conditions	2
7. Assembly instruction	3
7.1. Assembly procedure	3
7.2. Faults during door installation	3
8. Additional requirements	3
9. Environmental protection	3
10. Disassembly of the door	3
11. Operating remarks	3
12. The range of environmental conditions, for which the door has been designed	3
13. Operating and maintenance instruction	4
14. Important information and notes	4
15. Door operating instruction	4
16. Routine maintenance instruction	4
17. Frequently Asked Questions	6

[A000001] 1. GENERAL INFORMATION

The door can be installed and adjusted by at least a COMPETENT person.

[D000323] Up and over garage door is designed to be used in single-family detached housing.

[A000066] The present Instruction is a document intended for Professional Installers or Competent persons. It contains necessary information to ensure safe installation of the door.

The door and its separate parts should be installed according to Assembly and Operating Instruction provided by the manufacturer.

Only original fittings supplied together with the door must be used to install the door.

Please be familiar with all instructions prior to start with assembly. Please read carefully the present instruction and follow its recommendations. The correct operation of the door depends from its proper installation to a considerable extend.

The Instruction includes the assembly of the door with standard equipment and optional equipment elements. The scope of standard and optional equipment is described in sales offer.

[B000002] The selection of fastening elements is determined by the type and structure of the construction material to which the door will be fastened essentially. Nail expansion anchors supplied with the door normally are designed to anchor in solid materials with compacted structure (e.g. concrete, solid brick). If the door is mounted to another materials, it is necessary to change the fastening elements for that ones suitable for anchoring in the materials of which the walls and ceiling are made. For this purpose, the installer must follow the guidelines for selection of fastening elements supplied by their manufacturer.

[B000028] Glasses used in glazed elements (windows, aluminium glazed profiles) are made of plastic. The absorbcency of moisture from the air is the natural property of plastic glasses, which in changing weather conditions can result in temporary steam precipitation and settlement inside the glass. Sweating of glass aluminium profiles is a natural phenomenon, and is not subject to warranty claims.

[A000003] The Instruction applies to several types of doors. Reference drawings may vary in execution details. If it is essential, these details are shown in separate drawings.

The Instruction contains all essential information that guarantees safe assembly, operation and proper maintenance of the door.

During the assembly all Health and Safety regulations pertaining to assembly and cutting operations as well as power tools, depending on methods of assembly must be strictly observed, considering the norms, regulations and applicable building process documentation.

During repair works, the door must be protected against plaster, cement and gypsum which may cause stains.

Assembly and Operating Instruction is a document intended for the door owner. Once the assembly works are completed, the instruction should be handed over to the owner. The instruction is to be kept in a safe place and protected against damage.

If elements supplied by the third party manufacturers and suppliers are used during the assembly, the person assembling the door is considered to be its producer according to EN 13241-1.

Tampering and removing of any parts of door is strictly prohibited. It may result in the elements responsible for safe operation being damaged. Unauthorized replacing of doors sub-assemblies is strictly prohibited.

[C000229] Any alterations to the door, e.g. insulation of the door leaf, are strictly prohibited.

[A000067] When installing a drive, recommendations of drive and auxiliary equipment manufacturer should be observed. Only original elements supplied by the manufacturer should be used to connect the drive.

[B000052] It is forbidden to obstruct the door movement area. Therefore, no obstacles may be located in the way of door opening or closing. It is necessary to ensure that during door movement no persons, especially children, or objects are on its way.

[A000037] 2. TERMS AND DEFINITIONS ACC. TO STANDARD

Explanation of warning signs used in the Instruction:



Attention! – warning sign used to denote the attention.



Information – warning sign used to denote important information.



Reference mark – sign referring to a given paragraph in the Assembly Instruction.

Professional Installer – competent person or organization, offering to third parties door installation services, including its improvement (according to EN 12635).

Competent person - an appropriately trained person with qualification resulting from knowledge and practical experience, and provided with necessary instruction to enable the required installation to be carried out correctly and safely (acc. to EN 12635).

Owner - a natural or legal person who has legal title to administer the door, and takes responsibility for its operation and use (acc. to EN 12635).

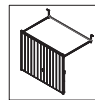
Report Book - a book containing the main data about the door, and which has a specially designated places for records about inspections, tests, maintenance and various repairing works or modifications to the door (according to EN 12635).

[D000324] 3. DESCRIPTION OF SYMBOLS

So – opening width

Ho – opening height

[B000088]



– door with profile connecting horizontal guides



– door without profile connecting horizontal guides

[A000052]



- option



- manually operated



- automatic

[D000367] 4. DESIGN DESCRIPTION AND TECHNICAL DATA

Up and over doors are designed as garage doors as standard. The detailed information about the dimensions and technical data is stated in the price list. The door construction is made of galvanized steel closed sections, and is filled with galvanized formed steel sheet (trapezium T-10), coated with polyester paint. The doors may be equipped with wicket door that opens outside, and with glazed elements. The doors are equipped with a set of springs, assisting in lifting and lowering the door leaf. The springs are protected with covers against trapping, e.g. of fingers.

[D000326] 4.1. APPLICATION AND DESIGNATION

Up and over garage doors are designed to be used in private buildings and utility premises.

[A000005] 5. ASSEMBLY RECOMMENDATIONS

Prior to assemble and operate the door, the guidelines contained in this instruction should be read carefully. All assembling and operating instructions must be strictly observed. It ensures the correct assembly, and durable and failure-free operation. All works related to door assembly must be carried out in described order.

[A000006] 6. REQUIRED ASSEMBLY CONDITIONS

The door should be used and operated in compliance with its intended use. Selection and application of doors in construction industry should be based on

technical documentation of the facility developed in compliance with regulations and standards in force.

[B000005] The doors can be mounted to reinforced concrete walls, those made of bricks, or steel framework. A room intended to mount the doors should be finished completely (plastered walls, finished floor), walls must not have any faults in quality of work. The room should be dry and free of chemicals being harmful for coating paints.

Both side walls, and frontal wall and door assembly opening lintel must be vertical and perpendicular to the floor, and must be finished.



It is prohibited to mount the door in a room in which finishing works are still to be done (plastering, gypsum finishing, grinding, painting, etc.).

Floor in bottom sealing area must be levelled and constructed in such a way as to ensure free water drain. Appropriate ventilation (drying) of garage must be ensured.



Installing of electrical drive unit to the door by professional installer or competent person is to be done according to the Assembly and Operating Instruction of the drive unit.

[B000092] The area to install the door should be free from any pipes, cables, etc.



- [C000184] **It is prohibited to open the door leaf without guides mounted.**
- [C000230] **It is prohibited to carry the door with its external plating looking downwards.**

[B000089] Safety Conditions

- The methods of electrical installation as well as its protection against electric shock are described by the norms and regulations in force.
- The power supply circuit of the drive should be equipped with power cut, residual-current device and overload circuit protection.
- The door power supply should be done as a separate power circuit.
- Grounding of the drive unit is obligatory and should be done in the first place.
- Only cables supplied together with the drive by the manufacturer should be used to assemble the drive unit.
- Electrical installation should be done according to the acting regulations of a particular country.
- All electrical works must be performed by certified installer only.

[D000368] 7. ASSEMBLY INSTRUCTION

The correct operation of the door is closely connected with its proper assembling. The manufacturer recommends the authorized assembly companies. Only the proper assembly and maintenance according to the Instruction and provided by the competent company or person may guarantee safe and designated operation of the door.

[D000369] 7.1. ASSEMBLY PROCEDURE

Fig.0.2. Prior to installation works, check the dimensions (width and height) of the assembly opening.

Fig.0.3. If necessary, finish the opening so as to ensure that door frame fits in it with clearance allowing to adjust the door horizontally and vertically in the opening plane.

Fig.1-3. Position the door vertically and horizontally during the first stage of installation. Check whether door leaf adheres to the frame along the whole perimeter. If necessary, a deviation in the door setting of up to 2 [mm] per 1 [m] is acceptable, provided that door leaf works with the frame properly. In case if there is too much friction between door leaf and frame, check if the guides are positioned perpendicular to the door lintel (or check diagonals of the guides). If these conditions are satisfied, it is allowed to bend the arms so as to correct the door operation.

Fig.4-15. Carefully perform further installation operations shown on Figures. Fig.8-9. Check the diagonals of the horizontal guides. Mount the guides to the ceiling with fastening brackets.

Fig.4,11,12. Mount the door using mounting anchors. The number of anchors is adjusted to the number of door mounting plates.

Fig.13.1. After mounting, cut the protruding parts of the brackets, blunt its edges and protect the edges with paint.

Fig.13.3. Mounting of horizontal guides to the ceiling with two sets of fastening brackets.

Fig.16. Mounting of the door with brush sealing. Dismantle the door threshold, and then mount the door using mounting anchors. The door is mounted directly to the ground.

Fig. 1.

When the door installation is complete, check, whether the door operates according to the Assembly and Operating Instruction. If necessary, make corresponding adjustments. Check the correct tension of springs, and, if necessary, adjust it (any adjustments of the door could only be made when the door is in its full open position and secured from uncontrolled closing). To do this:

- open the door by lifting its leaf to half-open position (approx. 45° angle),
- if the leaf is visibly falling, increase the spring tension by regulating the springs according to fig. I.II,
- if the leaf is visibly lifting, decrease the spring tension by regulating the springs according to fig. I.II.

[D000328] 7.2. FAULTS DURING DOOR INSTALLATION

There is a risk that some faults may occur during door installation, which could be easily avoided, provided that:

- door guides had diagonals and were parallel to each other,
- door leaf had diagonal in its closed position,
- side tolerances between the door frame and leaf were equal on both sides,
- all mounting elements are assembled properly.

Non-observation of the above basic recommendations may lead to troubles in door operation, door damage or, as a result, provide to the loss of the warranty.

[A000007] 8. ADDITIONAL REQUIREMENTS

After the installation is completed, it must be checked that the door is fitted with CE data plate according to the standard. If the plate is missing, fit the door with the data plate. After verifying the correct operation of the door, the Assembly and Operating Instruction and door book, if required, should be handed over to the Owner.

[A000008] 9. ENVIRONMENTAL PROTECTION

Packaging

Elements of packaging (cardboard, plastics, etc.) are classified as waste suitable for recycling. Follow local legislation for specific material before throwing it away.

Scrapping of equipment

The product consists of many different materials. Most of the materials used are suitable for recycling. Sort it before disposal, and then deliver to refuse collection and disposal area for recycling.



Follow local legislation for specific material before scrapping.



[A000009] Remember! Recycling of packaging materials saves natural resources and reduces the amount of waste material.

[D000329] 10. DISASSEMBLY OF THE DOOR

1. Close and bolt the door.
2. Remove brackets and guide.
3. Pull out the door from the opening. Always keep it with the plating upwards.
4. Protect the leaf against its uncontrolled opening before transport.

[D000330] 11. OPERATING REMARKS

The basic conditions for the proper door usage that guarantee its durable and trouble-free operation:

- provide free water drain in the area of bottom sealing,
- protect the door against harmful agents (including corrosive agents, like acids, alkali, salts), which may damage the paint coating and metal,
- protect the door against plaster, paints and solvents which may cause stains, during finishing works,
- the springs counterbalancing the door leaf are designed for 10 000 cycles, as standard. When the door completes the designated amount of cycles, the springs must be definitely replaced,
- doors with electric drive must be opened according to the Instruction provided with the electric equipment,
- check the proper door installation if the excessive resistance during opening the door is observed. If necessary, carry out the adjustments as stated in the assembly instruction,
- it is prohibited to open the door equipped with the wicket door, unless the wicket door is closed with the key.

[B000170] 12. THE RANGE OF ENVIRONMENTAL CONDITIONS, FOR WHICH THE DOOR HAS BEEN DESIGNED

- Temperature – –30° C to +50° C
- Relative humidity – max. 80% not condensated
- Electromagnetic fields – not applicable

Refers to manually operated doors. The range of environmental conditions for the doors with drive is stated in the Assembly and Operating Instruction of the drive.

[A000029] 13. OPERATING AND MAINTENANCE INSTRUCTION

The Assembly and Operating Instruction is a documentation intended for the door owner. Please read carefully this instruction and follow its recommendations. The instruction includes information ensuring safe usage, operation and maintenance of the door.

[A000010] 14. IMPORTANT INFORMATION AND NOTES



- Please carefully keep this instruction.
- All operation activities must be performed according to the door Assembly and Operating Instruction.
- Occupational health and safety regulations and recommendations included in the Assembly and Operating Instruction must be observed in all works related to the door inspections and repairs.
- It is prohibited to change any door components or parts.



[B000006] Information regarding forbidden door usage

- It is forbidden to open the door without guides mounted.
- It is forbidden to obstruct the door movement area. When operating the door, make sure there are no people, especially children, or objects within the door movement area.
- It is forbidden for people to stay, or leave cars or other objects in a clearance of the opened door.
- It is prohibited to stay, walk, run or drive under the moving door.
- It is prohibited to use the door leaf to lift objects or people.
- Do not allow children to play with equipment. Transmitters that control the door must be kept away from children. Transmitters should be kept in dry, moisture-free places.
- It is forbidden to modify or remove any door components! This may cause damage to parts ensuring the door safe usage.
- [B000090] It is forbidden to install any additional thermal fillings or insulation in the door leaf without a written consent of the manufacturer. Springs are precisely adjusted to the door leaf weight, and any additionally mounted elements may cause its overload and incorrect door operation.
- [B000093] Power-operated doors should be opened according to the Installation and Operating Instruction of the drive.
- [B000008] The door should be protected against harmful agents (including corrosive agents, like acids, alkali, salts), which may damage the paint coating and metal. The door should also be protected against plaster, paints and solvents which may cause stains, during finishing or repairing the room.

[C000011] 15. DOOR OPERATING INSTRUCTION



- **It is prohibited to obstruct the door movement area.** The door opens vertically upwards. Therefore, no obstacles may be located in the way of door opening or closing. It is necessary to ensure that during door movement no persons, especially children, or objects are on its way.
Caution! Risk of accident.
- [A000063] It is prohibited to keep using the defective door. It is particularly forbidden to operate the door, if there is any visible damage of counterbalancing springs, mounting elements or any other parts responsible for safe door operation.
- [B000007] It is prohibited to keep using the door, if any faults in its operation, or damage of its components are found. In this case, immediately put the door out of service, and contact the authorized service centre.

[C000012] Check the proper mounting of the door according to Assembly and Operating Instruction before its first opening.

The door is mounted properly when its leaf/curtain moves smoothly and its operation is easy.

[C000399] **Opening** - the door should be operated manually, using the relevant outside or inside handles/ pulls. Improper operation of the door may cause accident.

Closing - the door should be closed manually by pushing it vigorously using the handle. As a result, the door self-locking bolts will latch on proper door frame elements.

Door bolting (lock) - as standard the door is equipped with a lock, which may be bolted by turning the key counter clockwise 360° (if the door does not feature a drive unit).

Door unbolting (lock) - use the key or blocking bolt:

- from outside - turn the key 360° clockwise,
- from inside - move upwards the blocking bolt, located next to the lock insert, and simultaneously turn the handle to the right.

[C000088] Wicket door

- Wicket door may only be opened manually by pushing the handle in the direction of door opening. Wicket door should be opened and closed smoothly, without sharp jerks that negatively influence its durability, operation and safe usage.
- Wicket door is mounted and adjusted properly, if the leaf moves smoothly, and its operation is easy.
- Avoid strong striking the door leaf against frame, so called „door banging“, that may result in cracking of paint coating and glazing, in door leaf deformation, and negatively influence operation of hardware, hinges, and gaskets.
- It is prohibited to overload the wicket door leaf, leave the objects within the door leaf movement area as well as operate the door by force.

[C000089] It is recommended to equip the wicket door with self-closer, which should only be used for self-closing of the wicket door after its previous manual opening.

[C000090] Each time before operating the door, it is necessary to make sure that the wicket door is closed. Wicket door installed in the door with electric drive must be equipped with limit switch, which prevents the drive switching-on if the wicket door is open.

[C000091] It is prohibited to apply extra force (other than the self-closer) to fully close or speed up the wicket door closing, that may result in damage or poor adjustment of self-closer.



[C000209] **It is prohibited to put any objects between the opening or closing door leaf and frame.**
Caution! Risk of accident.

[C000050] 16. ROUTINE MAINTENANCE INSTRUCTION

Activities, which may be performed by the Owner after careful reading of the Instruction supplied with the door:

[C000258] The external door leaf surface shall be cleaned with a sponge and clean water, or lacquer-cleaning agents available in stores. Do not use cleaning agents, which may scratch the door surface, sharp tools, or the nitro solvent-based cleaning preparations.

At least once for 6 months carry out the door periodic inspections including:

- Hinged connections, rollers, springs and guides should be lubricated with a semi-oily grease before starting the door and during operation if needed.
- Do not oil the lock barrel insert. If needed, use the grease.
- During the inspections, check the elements mounting the door to wall, screws, guiding rollers. Immediately eliminate any irregularities. It is forbidden to operate the door, if the irregularities are not eliminated.
- In case of any irregularities or damages of door components, stop using the door and contact the authorised service centre.
- Check the drive mounting.

[B000029] Dry, clean and very soft, preferably cotton fabrics, must be used to clean the panes in glazing (windows, glazed aluminium profiles). Non-scrubbing cleaning agents, e.g. wash-up liquid with neutral pH value may be used, but it is recommended to perform a trial on a small surface previously. The pane must be rinsed with water thoroughly before cleaning (it is not recommended to use high-pressure cleaning appliances) in order to remove particles of impurities and dust that may cause scratching of pane surface. It is not recommended to use cleaning agents that contain alcohol or solvents (they cause permanent tarnishing of pane surface).

[C000017] **Activities, which may be performed by the Competent Person having correspondent permissions.**

[D000332] The door maintenance should be performed at least once for 12 months. The following activities to be performed during the door routine maintenance:

- Check spring tension – for this purpose, open the door leaf by lifting the leaf to half-open position (approx. 45°):
 - if the leaf is visibly falling, increase the spring tension by regulating the springs according to fig. I.II,
 - if the leaf is visibly lifting, decrease the spring tension by regulating the springs according to fig. I.II.



If the above mentioned works are not performed, there is a risk that the leaf may suddenly drop and hurt people, or cause damage to objects in its vicinity.

- Check the condition of spring covers and correct if necessary.
- Check the rollers during opening and closing for correct and smooth rotations. If the rollers put resistance or do not rotate at all, check their condi-

tion, and rolling surfaces in particular. If necessary, replace entire assemblies.

- Check the mechanical components ensuring safety and correct door operation. In case of any failures, these must be immediately eliminated and faulty components and parts should be repaired or replaced.
- Check the condition of springs.

[D000370] Activities, which require Professional Installer:

Any alterations and modifications to the door should be agreed on with the manufacturer.

The range of works covered with the door periodical inspection provided by a manufacturer’s authorised service centre.

- Identify the door type, serial number.
- Check the door marking, warning labels. Add new ones, if missing.
- Check the connection parts used in the door: anchors mounting the door to wall, screws mounting the guides.
- Check the springs and elements working with them. In case of evident wear and tear signs, the elements should be absolutely replaced.
- When the door is used longer than 12 years, or if the door made more than 10 000 cycles (the number of cycles should be estimated on the basis of the interview with the door owner) - the springs should be absolutely replaced.
- Pay attention to conditions, in which the door is operated. If the conditions are different from the required operation conditions, the owner should be informed about possible consequences (e.g. about failure occurrence possibility).

[C000235] Activities, which may be performed by a manufacturer’s authorised service centre:

- any modifications to the door,
- replacement of springs counterbalancing the door leaf,
- repairing works of electric components,
- repairing works of door components.

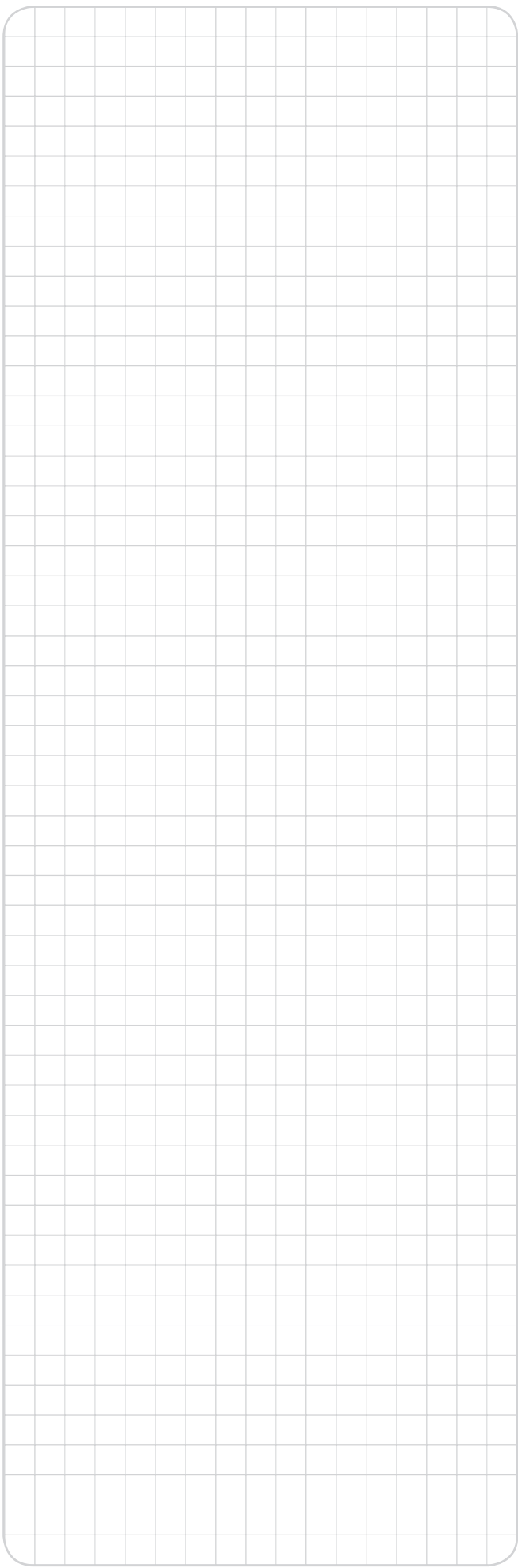


Disconnect power supply of the drive when performing any door maintenance and inspection works. Fastening of springs counterbalancing the door leaf can only be loosened when the door is fully open.

[A000011] All works must be performed according to this Assembly and Operating Instruction of the door. Any comments or recommendations must be submitted to the Owner in writing, e.g. to be noted in report book of the door or warranty card, and submitted to the door Owner. Upon performing the inspection, this fact must be confirmed by corresponding note in report book or warranty card of the door.

[A000068] The manufacturer reserves the right to introduce design modifications due to technological progress that do not alter the product functionality, without prior notice.

This documentation is copyright of the manufacturer. Copying, reproduction and usage in full or in a part without the written consent of the owner is prohibited.



[D000334] 17. FREQUENTLY ASKED QUESTIONS

Cause	Solution
The door opens difficultly/ suddenly drops. The door leaf is not balanced (the door drops or opens by itself).	<ul style="list-style-type: none"> • Check the spring tension. For this purpose, open the door to its half open position, the door should remain in this position. If the door clearly drops, increase the spring tension. If the door clearly rises, decrease the spring tension.
High resistance is observed during door operation. The door leaf does not open smoothly.	<ul style="list-style-type: none"> • Check the rollers during opening and closing for correct and smooth rotations. If the rollers put resistance or fail to rotate, they should be adjusted and lubricated. • Check the guides for dirt that may cause incorrect door operation. • Check the proper mounting of guides (diagonals).
The lock does not open/ close. Incorrect operation of the lock.	<ul style="list-style-type: none"> • Lubricate the barrel insert with graphite grease. • Check the operation of a bolt. Lubricate, if any resistance is observed. • Check the correct mounting of the lock connector with bolt. • Check the operation of lock blocking latch.
Bolts do not latch the door.	<ul style="list-style-type: none"> • Check the operation of bolts, and lubricate, if necessary. • Check the connection of latches with the door lock. In case of doors equipped with rope, increase the rope tension, if necessary. In case the door is equipped with rod, replace the rod.
Bolts do not lock the door, in case of door with drive.	<ul style="list-style-type: none"> • Check the limit switch. • Check the position of microswitch for the mode of up and over door. • Check the tension of the rope between the lock and drive, and adjust, if necessary.

In case of any doubts, or if a cause remains unsolved, please contact the authorized service centre.

INHALT:

1. Allgemeines	7
2. Begriffe und Definitionen nach der Norm	7
3. Symbolerklärungen	7
4. Konstruktionsbeschreibung und technische Daten	7
4.1. Anwendung und Bestimmung	7
5. Montageempfehlungen	7
6. Erforderliche Montagebedingungen	8
7. Montageanweisung	8
7.1. Montagereihenfolge	8
7.2. Fehler bei Tormontage	8
8. Zusätzliche Anforderungen	8
9. Umweltschutz	8
10. Tordemontage	8
11. Anmerkungen zur Nutzung	9
12. Umgebungsbedingungen für das Tor	9
13. Bedienungs- und Wartungsanweisung	9
14. Wichtige Informationen und Anmerkungen	9
15. Torbedienungsanweisung	9
16. Anweisung über laufende Wartung	9
17. Die meistgestellten Fragen	11

[A000001] 1. ALLGEMEINES

Das Tor darf nur von einer FACHKRAFT montiert und reguliert werden.

[D000323] Das Garagenkipptor ist zum Einsatz in Einfamilienhäusern bestimmt.

[A000066] Die vorliegende Montageanweisung ist eine Unterlage, die für Professionelle Monteure oder Kompetente Fachkräfte bestimmt ist. Sie enthält unentbehrliche Informationen, die eine sichere Tormontage gewährleisten.

Das Tor und seine einzelnen Bestandteile sollen entsprechend der vom Hersteller gelieferten Montage- und Bedienungsanweisung montiert werden.

Zur Tormontage sollen nur originale, mit dem Tor gelieferte Befestigungselemente verwendet werden.

Vor dem Montagebeginn soll man sich mit der ganzen Anweisung vertraut machen. Lesen Sie bitte die vorliegende Anweisung aufmerksam und beachten Sie ihre Empfehlungen. Das richtige Torfunktionieren hängt in einem hohen Grade von der korrekten Montage ab.

Die Anweisung umfasst die Montage des Tores mit Standardelementen und mit Optionsausrüstung. Der Bereich der Standard- und Optionsausstattung wurde im Handelsangebot beschrieben.

[B000002] Die Art und Struktur des Baustoffes, in dem die Tore montiert werden, entscheidet grundsätzlich von der Wahl der Befestigungselemente. Die standardmäßig im Satz mit dem Tor gelieferten Spreizdübel sind zur Befestigung in den Vollbaustoffen mit einer festen Struktur (z.B. Beton, Vollziegel) bestimmt. Sollten die Tore in anderen Baustoffen montiert werden, ist es notwendig, die Befestigungselemente gegen andere zu wechseln, die zum Befestigen in den gegebenen Wand- und Deckenbaustoffen bestimmt worden sind. Zu diesem Zweck muss der Monteur die Richtlinien zur Auswahl der Befestigungselemente beachten, die durch deren Hersteller geliefert wurden.

[B000028] Die in den Verglasungen eingesetzten Scheiben (Fensterchen, verglaste Alu-Profile) werden aus Kunststoff hergestellt. Eine natürliche Eigenschaft der Kunststoffscheiben ist Absorption der Luftfeuchte, was unter veränderlichen Witterungsbedingungen eine vorübergehende Ausscheidung und Herabsetzung von Dampf im Inneren der Verglasung zur Folge haben kann. Das Schwitzen der Alu-Profile der Scheiben ist eine natürliche Erscheinung und gibt keinen Anlass zur Beanstandung.

[A000003] Die Anweisung betrifft die Montage von einigen Tortypen. Die anschaulichen Zeichnungen können sich in Ausführungsdetails unterscheiden. In unentbehrlichen Fällen werden diese Details in getrennten Zeichnungen dargestellt.

Die Anweisung enthält die nötigen Informationen, die eine sichere Montage, Nutzung und geeignete Wartung des Tores zusichern.

Bei der Montage sollen die Arbeitssicherheitsvorschriften bezüglich der mit Elektrowerkzeugen abhängig von dem angewandten Montageverfahren realisierten Montage- und Schlosserarbeiten eingehalten werden. Es sollen auch die geltenden Normen, Vorschriften und gegebene Baudokumentation berücksichtigt werden.

Bei den Renovierungsarbeiten soll das Tor vor den Putz-, Zement- und Gipsplättern geschützt werden, weil sie zur Fleckenbildung beitragen können.

Die Montage- und Bedienungsanweisung bildet die für den Torbesitzer bestimmte Unterlage. Nach Beendigung der Montage soll sie dem Besitzer ausgehändigt werden. Die Anweisung soll vor der Vernichtung gesichert und sorgfältig aufbewahrt werden.

Sollten bei der Tormontage die von verschiedenen Herstellern oder Lieferanten gelieferten Elemente eingesetzt werden, wird die das Tor montierende Person gemäß der Europäischen Norm EN 13241-1 als dessen Hersteller betrachtet. Es dürfen keine Torelemente geändert oder entfernt werden, sonst kann es zur Beschädigung der die sichere Nutzung gewährleisten Teile kommen. Es ist unzulässig, die Torbaugruppen zu verändern.

[C000229] Es ist unzulässig, das Tor abzuändern, z.B. durch die Wärmeisolierung des Torblattes.

[A000067] Bei der Antriebsmontage soll man gemäß den Empfehlungen des Herstellers von Antrieb und Zusatzausrüstung vorgehen. Zum Anschließen des Antriebs sollen ausschließlich originelle Baugruppen des Herstellers eingesetzt werden.

[B000052] Den Bewegungsraum des Tores nicht verstellen. Darum dürfen dem sich öffnenden oder schließenden Tor keine Hindernisse im Wege stehen. Man soll sich vergewissern, dass sich keine Personen, insbesondere keine Kinder oder Gegenstände, während der Torbewegung in seinem Weg befinden.

[A000037] 2. BEGRIFFE UND DEFINITIONEN NACH DER NORM

Erklärungen zu den in der Anweisung angewandten Warnzeichen:



Achtung! – dieses Zeichen bedeutet, dass es auf etwas aufmerksam gemacht wird.



Information – dieses Zeichen bedeutet eine wichtige Information.



Verweis – dieses Zeichen verweist an einen bestimmten Punkt der vorliegenden Montageanweisung.

Professioneller Monteur – eine kompetente Fachkraft oder Einheit, die den Dritten die Dienstleistungen im Bereich von Tormontage, inklusive der Verbesserung (laut EN 12635) anbietet.

Kompetente Fachkraft – eine entsprechend geschulte Person mit Qualifikationen, die aus dem Wissen und der praktischen Erfahrung resultieren. Die Fachkraft ist mit unentbehrlichen Anweisungen ausgestattet, die eine korrekte und sichere Abwicklung der erforderlichen Montage ermöglichen (laut EN 12635).

Besitzer – eine natürliche oder juristische Person, die berechtigt ist, über das Tor zu verfügen, und die für dessen Wirkung und Nutzung verantwortlich ist (laut EN 12635).

Berichtsbuch – ein Buch, das die Grunddaten hinsichtlich des bestimmten Tores enthält, und in dem Platz für die Eintragungen über Kontrollen, Proben, Wartung und jegliche Reparaturen, wie auch Tormodernisierung vorgesehen wurde (laut EN 12635).

[D000324] 3. SYMBOLERKLÄRUNGEN

So - Öffnungsbreite

Ho - Öffnungshöhe

[B000088]



– Das Tor mit einem Querstück zum Verbinden der horizontalen Führungsleisten



– Das Tor ohne Querstück zum Verbinden der horizontalen Führungsleisten

[A000052]



- Option



- manuell



- automatisch

[D000367] 4. KONSTRUKTIONSBESCHREIBUNG UND TECHNISCHE DATEN

Die Schwingtore werden standardmäßig als Garagentore hergestellt. Der detaillierte Abmessungsbereich und die technischen Daten sind in der Preisliste enthalten. Die Torbauweise besteht aus verzinktem Stahlhohlprofil und ist mit verzinktem, profilierten, mit Polyester beschichtetem Stahlblech gefüllt (Trapez T-10). Die Tore können mit einer sich nach außen öffnenden Durchgangstür versehen werden. Es können auch Verglasungen eingesetzt werden. Das in den Toren verwendete Federsystem unterstützt das Heben und Senken des Torblattes. Die Feder werden mit Hülsen abgeschirmt, die z.B. vor Fingerverklemmung schützen.

[D000326] 4.1. ANWENDUNG UND BESTIMMUNG

Die Garagen-Kipptore sind zum Einsatz in den privaten und Wirtschaftsgebäuden bestimmt.

[A000005] 5. MONTAGEEMPFEHLUNGEN

Vor der Montage und Inbetriebnahme des Tores soll man sich mit den in der vorliegenden Anweisung enthaltenen Richtlinien genau vertraut machen. Es sollen

die Empfehlungen zur Montage und Nutzung des Tores befolgt werden, weil sie die korrekte Montage und langfristige, ausfalllose Nutzung zusichern. Alle im Zusammenhang mit der Montage des Tores stehenden Arbeitsschritte sollen in der beschriebenen Reihenfolge ausgeführt werden.

[A000006] 6. ERFORDERLICHE MONTAGEBEDINGUNGEN

Das Tor soll bestimmungsgemäß verwendet und genutzt werden. Die Auswahl und Nutzung der Tore im Bauwesen sollen an Hand der gemäß den geltenden Vorschriften und Normen bearbeiteten technischen Dokumentation des Objektes erfolgen.

[B000005] Die Tore können in den Stahlbeton-, Ziegel- oder Stahlrahmenwänden montiert werden.

Der zur Tormontage bestimmte Raum soll vollständig ausgebaut sein (verputzte Wände, fertiger Fußboden). Die Wände dürfen keine Ausführungsfehler aufweisen. Der Raum soll trocken und von den für die Lackflächen schädlichen chemischen Stoffen frei sein.

Sowohl die Seitenwände, als auch die Stirnwand und der Sturz der Montageöffnung des Tores sollen vertikal, senkrecht zum Fußboden und ausgebaut sein.



Es ist verboten, das Tor in einem Raum zu montieren, der noch ausgebaut werden wird (Putz-, Gips- und Schleifarbeiten, Anstrich, usw.).

Im Bereich der unteren Dichtung soll der Fußboden nivelliert und auf solche Weise ausgeführt werden, dass ein freier Wasserabfluss gewährleistet wird. Es soll die entsprechende Lüftung (Trocknung) der Garage zugesichert werden.



Der elektrische Torantrieb soll durch einen professionellen Installateur oder eine kompetente Fachkraft gemäß der Installations- und Bedienungsanweisung des Antriebs installiert werden.

[B000092] Der zur Tormontage erforderliche Raum sollte von allerlei Rohren, Leitungen u.ä. frei sein.



- [C000184] **Es ist verboten, das Torblatt aufzumachen, ohne dass die Führungsleisten montiert sind.**
- [C000230] **Es ist verboten, das Tor horizontal mit dem nach unten gerichteten Außenmantel zu tragen.**

[B000089] Sicherheitsbedingungen

- Die verbindlichen Normen und Rechtsvorschriften bestimmen, wie die elektrische Installation ausgeführt und gegen den elektrischen Schlag abgesichert werden soll.
- Der Antriebsversorgungskreis soll mit einer Spannungssperre, einem Stromvergleichsschutz und einem Überstromschutz ausgerüstet werden.
- Die Installation zur Torversorgung soll als ein getrennter elektrischer Kreis realisiert werden.
- Die pflichtmäßige Erdung des Antriebs soll in erster Reihe hergestellt werden.
- Zur Montage des Antriebs sollen die durch den Hersteller mit dem Antrieb gelieferten Leitungen ausgenutzt werden.
- Die elektrische Installation muss den im gegebenen Land geltenden Vorschriften entsprechen.
- Alle Elektroarbeiten dürfen nur von einem berechtigten Installateur realisiert werden.

[D000368] 7. MONTAGEANWEISUNG

Die korrekte Arbeit hängt im wesentlichen Grade von der richtigen Montage ab. Der Hersteller empfiehlt vertragliche Montageunternehmen. Nur die vorschriftsmäßige, laut der Anweisung durch kompetente Einheiten oder Fachkräfte durchgeführte Montage und Wartung können die sichere und bestimmungsgemäße Torfunktion gewährleisten.

[D000369] 7.1. MONTAGEREIHENFOLGE

Abb.0.2. Vor Montagebeginn sollen die Abmessungen (Breite und Höhe) der Montageöffnung geprüft werden.

Abb.0.3. Nach Bedarf soll die Öffnung so ausgebaut werden, dass der Torrahmen darin mit einem Spiel untergebracht werden kann, das das Nivellieren und Lotung des Tores in der Öffnungsfläche ermöglicht.

Abb.1-3. In der ersten Montagephase soll das Tor vertikal und horizontal aufgestellt werden. Es soll geprüft werden, ob das Torblatt an den Rahmen im ganzen Umfang richtig anliegt. Notfalls ist folgende Abweichung in der Toraufstellung zulässig: bis zu 2 [mm] pro 1 [m], vorausgesetzt dass die richtige Zusammenarbeit des Blattes mit dem Rahmen zugesichert wird. Wenn das Blatt zu stark an den Rahmen reibt, soll geprüft werden, ob die Führungsleisten senkrecht zum Torsturz verlaufen, oder es sollen die Diagonalen der Führungsleisten untersucht werden. Wenn die Bedingungen

eingehalten sind, ist es zulässig, die Arme so zu biegen, dass die Torfunktion verbessert wird.

Abb.4-15. Die nachstehenden in den Zeichnungen dargestellten Arbeitsschritte sollen sorgfältig ausgeführt werden.

Abb.8-9. Die Diagonalen der horizontalen Führungsleisten prüfen. Die Führungsleisten mit Hilfe der Montageträger an die Decke befestigen.

Abb.4,11,12. Das Tor mit Montagewedeln montieren. Die Menge von Wedeln ist der Zahl der Montagewedeln des Tores angepasst.

Abb.13.1. Nach der Montage sollen die ausragenden Trägerteile abgeschnitten, die Schnittkanten abgestumpft und mit Farbe abgesichert werden.

Abb.13.3. Die horizontalen Führungsleisten werden an die Decke mit zwei Sätzen von Montageträgern befestigt.

Abb.16. Montage des Tores mit der Bürstendichtung. Die Torschwelle demontieren und dann das Tor mit Montagewedeln befestigen. Das Tor wird direkt auf dem Untergrund montiert.

Abb. I. Nach der Ausführung der Montage soll man prüfen, ob das Tor korrekt gemäß der Montage- und Bedienungsanweisung funktioniert, im Bedarfsfall sollen die unentbehrlichen Einstellungen eingeführt werden. Man soll kontrollieren, ob die Feder richtig gespannt sind. Bei Bedarf soll die Spannung nachgestellt werden (die Torregulierung darf nur dann durchgeführt werden, wenn das Tor vollständig geöffnet und vor dem unkontrollierten Abschließen gesichert ist.) Dazu soll man:

- das Tor aufmachen, indem das Blatt in die halbe Höhe gehoben wird (Blattwinkel ca. 45°),
- sollte sich das Blatt deutlich senken, muss die Federspannung durch die Nachstellung erhöht (Abb. Nr. I.II)
- sollte sich das Blatt deutlich heben, muss die Federspannung durch die Nachstellung erniedrigt (Abb. Nr. I.II)

[D000328] 7.2. FEHLER BEI TORMONTAGE

Es besteht die Gefahr, dass während der Tormontage die Fehler begangen werden, die ohne Weiteres zu vermeiden sind, wenn man Folgendes berücksichtigt:

- die Führungsleisten des Tores sollen gleiche Diagonalen aufweisen und parallel zueinander sein,
- das geschlossene Torblatt soll gleiche Diagonalen aufweisen,
- die Seitenspiele zwischen den Torrahmen und Torblatt sollen auf beiden Seiten gleich sein,
- alle Verbindungselemente müssen richtig zugezogen werden.

Die Nichtbeachtung der oben erwähnten Grundempfehlungen kann die einwandfreie Torarbeit beeinträchtigen, zur Beschädigung des Tores führen und dem zu Folge zum Verlust der Garantierechte beitragen.

[A000007] 8. ZUSÄTZLICHE ANFORDERUNGEN

Nachdem die Tormontage beendet worden ist, soll geprüft werden, ob das Tor mit einem Datenschild CE gemäß der Norm versehen ist. Das eventuell versäumte Datenschild soll nachgeholt werden. Nachdem die korrekte Torfunktion geprüft worden ist, soll man die Tormontage- und Bedienungsanweisung, und das Torbuch (falls erforderlich) dem Besitzer aushändigen.

[A000008] 9. UMWELTSCHUTZ

Verpackungen

Die Elemente der Verpackungen (Pappe, Kunststoffe usw.) sind als wieder verwertbare Abfälle qualifiziert. Bei dem Beseitigen der Verpackungen soll man die örtlichen (lokalen) Rechtsregelungen zu dem gegebenen Stoff befolgen.

Verschrottung der Anlage

Das Produkt besteht aus zahlreichen unterschiedlichen Stoffen. Die Mehrheit der eingesetzten Werkstoffe eignet zur Wiederverwertung. Sie sollen segregiert und zur Deponie der recyclebaren Stoffe gebracht werden.



Vor dem Verschrotten soll man die örtlichen (lokalen) Rechtsregelungen zu dem gegebenen Stoff einhalten.



[A000009] Nicht vergessen! Die Rückgabe der Verpackungsmaterialien zum Werkstoffkreislauf spart die Rohstoffe und begrenzt die Abfallmenge.

[D000329] 10. TORDEMONTAGE

1. Das Tor zumachen und verriegeln.
2. Die Lastträger und Führungsleiste demontieren.
3. Das Tor aus der Öffnung herausnehmen. Dabei soll man darauf achten, dass es mit der Verkleidung nach oben gerichtet wird.
4. Vor dem Transportantritt soll das Blatt vor einem unkontrollierten Aufmachen abgesichert werden.

[D000330] 11. ANMERKUNGEN ZUR NUTZUNG

Grundvoraussetzungen der korrekten Tornutzung, die eine langfristige, ausfalllose Arbeit gewährleisten:

- im Bereich der unteren Dichtung soll ein freier Wasserablauf zugesichert werden,
- das Tor soll vor den für die Lackschichten und Metall schädlichen Einflussfaktoren, u.a. ätzenden Substanzen, wie Säuren, Laugen, Salze, geschützt werden,
- bei den Ausbau- oder Renovierungsarbeiten im Raum soll das Tor vor den Putzsplittern, Farben und Lösungsmitteln gesichert werden,
- die zum Ausgleichen des Torblattgewichtes ausgewählten Federn reichen standardmäßig für 10 000 Zyklen. Nachdem das Tor die bestimmte Zahl von Zyklen ausgeführt hat, sollen die Federn unbedingt ausgewechselt werden,
- die elektrisch gesteuerten Tore sollen gemäß der zusammen mit der Elektroausrüstung gelieferten Anweisung aufgemacht werden,
- sollten beim Torheben übermäßige Widerstände auftreten, muss man prüfen, ob das Tor vorschriftsmäßig montiert worden ist. Bei eventuellen Inkorrektheiten soll eine Nachstellung gemäß der Montageanweisung unternommen werden,
- sollte im Tor eine Durchgangstür eingebaut worden sein, ist es verboten, das Tor hoch zu heben, wenn die Durchgangstür nicht verriegelt ist.

[B000170] 12. UMGEBUNGSBEDINGUNGEN FÜR DAS TOR

- Temperatur – (-30) bis +50 °C
- Relative Feuchtigkeit – max. 80% nicht kondensiert
- Elektromagnetisches Feld – nicht zutreffend

Die o.g. Werte beziehen sich auf manuell bediente Tore. Bei den Toren mit Antrieb sind Angaben zu Umgebungsbedingungen der Montage- und Bedienungsanweisung des Antriebs zu entnehmen.

[A000029] 13. BEDIENUNGS- UND WARTUNGSANWEISUNG

Die vorliegende Montage- und Bedienungsanweisung bildet eine für den Torbesitzer bestimmte Unterlage.

Lesen Sie bitte die vorliegende Anweisung sorgfältig und befolgen Sie die darin enthaltenen Empfehlungen. Sie beinhaltet die unentbehrlichen Informationen, die eine sichere Nutzung, Bedienung und Wartung des Tores gewährleisten.

[A000010] 14. WICHTIGE INFORMATIONEN UND ANMERKUNGEN

- Die vorliegende Anweisung soll sorgfältig aufbewahrt werden.
- Sämtliche Bedienungsschritte sollen gemäß des Montage- und Bedienungsanweisung des Tores realisiert werden.
- Bei jeglichen Arbeiten, die mit Torübersicht und Reparatur verbunden sind, sollen die Arbeitsschutzvorschriften und die in der Montage- und Bedienungsanweisung des Tores enthaltenen Empfehlungen eingehalten werden.
- Es ist unzulässig, die Torbaugruppen oder -teile zu ändern.

[B000006] Informationen zu der nicht gestatteten Tornutzung

- Es ist verboten, das Tor zu öffnen, wenn die Führungsleisten nicht befestigt sind.
- Es ist verboten, den Bewegungsraum des Tores zu verstellen. Bevor das Tor geschlossen oder geöffnet wird, soll man sich vergewissern, dass sich keine Personen oder Gegenstände, und insbesondere Kinder in der Bewegungszone befinden.
- Im Lichte des geöffneten Tores dürfen sich keine Personen aufhalten und keine Fahrzeuge oder andere Gegenstände gelassen werden.
- Es ist verboten, unter dem sich bewegenden Tor zu stehen, zu gehen, zu laufen oder zu fahren.
- Es ist verboten, die Gegenstände oder Personen mit dem Tor hoch zu heben.
- Man darf nicht zulassen, dass die Kinder mit den Einrichtungen spielen. Die Sender zur Torsteuerung sollen vor Kindern geschützt aufbewahrt werden. Die Sender sollen an trockenen, nicht feuchten Stellen aufbewahrt werden.
- Es ist verboten, irgendwelche Torelemente umzuarbeiten oder zu entfernen! Es kann die sichere Nutzung gewährleistenden Teile beschädigen.
- [B000090] Es ist verboten, irgendwelche zusätzlichen Ausfüllungen oder Wärmeisolierungen des Blattes ohne schriftliche Übereinstimmung mit dem Hersteller zu montieren. Die Federn wurden an das Gewicht des Torblattes genau angepasst und jegliche daran montierten Zusatzelemente zur Überlastung und inkorrekten Torfunktion führen können.
- [B000093] Die Tore mit Elektroantrieb sollen gemäß der Installations- und Bedienungsanweisung des Antriebs aufgemacht werden.

- [B000008] Das Tor soll vor den für die Lackschichten und Metall schädlichen Einflussfaktoren, u.a. ätzenden Substanzen, wie Säuren, Laugen, Salze, geschützt werden. Bei den Ausbau- oder Renovierungsarbeiten im Raum soll das Tor vor den Putzsplittern, Farben und Lösungsmitteln gesichert werden.

[C000011] 15. TORBEDIENUNGSANWEISUNG

- **Den Bewegungsraum des Tores nicht verstellen.** Das Tor öffnet sich vertikal nach oben. Darum dürfen dem sich öffnenden oder schließenden Tor keine Hindernisse im Wege stehen. Man soll sich vergewissern, dass sich keine Personen, und insbesondere Kinder oder Gegenstände, während der Torbewegung in seinem Wege befinden.

Achtung! Unfallgefahr.

- [A000063] Es ist verboten, das nicht betriebssichere Tor zu nutzen. Insbesondere ist es unzulässig, das Tor zu nutzen, wenn die Ausgleichfedern, Aufhängungselemente oder Baugruppen sichtbar beschädigt worden sind, die für den sicheren Betrieb des Tores verantwortlich sind.
- [B000007] Es ist verboten, das Tor zu nutzen, wenn irgendwelche Inkorrektheiten in seiner Funktion oder Beschädigungen der Torbaugruppen festgestellt worden sind. Die Nutzung des Tores soll dann eingestellt werden und man soll sich mit einem Vertrags-service in Verbindung setzen.

[C000012] Bevor das Tor zum ersten Mal aufgemacht wird, soll es geprüft werden, ob es korrekt montiert worden ist.

Das Tor ist vorschriftsmäßig montiert, wenn sich sein Blatt / Torvorhang glatt bewegt und die Bedienung einfach ist.

[C000399] Öffnung – das Tor ist manuell mit Griffen oder mit den dafür bestimmten Außen- oder Innengriffen zu öffnen. Nicht bestimmungsgemäßer Gebrauch kann einen Unfall zur Folge haben.

Schließen – das Tor ist manuell durch kräftiges Schieben anhand des Griffs am Flügel zu schließen, wodurch die Riegel an den mitwirkenden Elementen des Torrahmens automatisch einrasten.

Verriegelung des Tores (des Schlosses) – die Tore sind standardmäßig mit Schlössern ausgestattet, die durch Schlüsselrotation um 360 ° gegen den Uhrzeigersinn verriegelt werden können, wenn das Tor über keinen Antrieb verfügt.

Entriegelung des Tores (des Schlosses) – es ist der Schlüssel oder der Riegel an der Verriegelung zu verwenden:

- von außen – den Schlüssel um 360 ° im Uhrzeigersinn drehen,
- von innen – den Riegel an der Verriegelung, der neben des Schlosseinsatzes angebracht ist, nach oben schieben und gleichzeitig den Griff rechts drehen.

[C000088] Durchgangstür

- Die Durchgangstür darf nur manuell geöffnet werden, indem die Klinke in der Richtung gezogen wird, in der die Tür aufgemacht wird. Die Tür soll schonend, ohne gewaltsames Zerren, auf- und zugemacht werden, sonst werden die Haltbarkeit, Funktionalität und Nutzungssicherheit beeinträchtigt.
- Die Durchgangstür ist korrekt montiert und eingestellt, wenn sich der Flügel glatt bewegt und die Bedienung einfach ist.
- Es ist zu vermeiden, mit dem Türflügel gegen den Rahmen stark zu schlagen, d.h. „zu krachen“, wodurch der Anstrich beschädigt werden, die Verglasung zerbrechen kann, die Beschläge, Scharniere, Dichtungen schlechter funktionieren können und der Türflügel gebogen werden kann.
- Es ist verboten, die Tür mit zusätzlichen Gewichten oder gewaltsamem Aufmachen zu belasten, und den Bewegungsraum des Türflügels mit Gegenständen zu verstellen.

[C000089] Es wird empfohlen, jede Durchgangstür mit einer Türfeder zu versehen, die ausschließlich dazu dienen soll, den Türflügel nach dem früheren Öffnen selbsttätig zu schließen.

[C000090] Vor der Torbetätigung soll man sich jedes Mal vergewissern, dass die Durchgangstür geschlossen ist. Die Durchgangstür, die in einem Tor mit Elektroantrieb eingebaut sind, soll mit einem Endscharter ausgerüstet sein, der den Antrieb blockiert, wenn die Tür offen steht.

[C000091] Es ist verboten, eine Zusatzkraft (andere als die Kraft der Türfeder) anzulegen, um den Türflügel besser oder schneller zuzumachen, weil es die Fehljustierung oder Beschädigung der Türfeder verursachen kann.



[C000209] Es ist verboten, irgendwelche Gegenstände zwischen den sich öffnenden oder schließenden Türflügel und Rahmen einzulegen.

Achtung! Unfallgefahr.

[C000050] 16. ANWEISUNG ÜBER LAUFENDE WARTUNG

Folgende Arbeitsschritte kann der Besitzer ausführen, nachdem

er sich mit der zusammen mit dem Tor gelieferten Anweisung gründlich vertraut gemacht hat:

[C000258] Die äußere Oberfläche des Torblattes soll mit einem Schwamm und sauberem Wasser oder mit handelsüblichen Mitteln zur Lackreinigung sauber gemacht werden. Es sollen keine Reinigungsmittel, die die Kratzer an der Fläche verursachen können, keine scharfen Werkzeuge oder Reinigungsmittel auf Basis von Nitroverdüner verwendet werden.

Mindestens einmal pro 6 Monate soll das Tor einer laufenden Übersicht unterzogen werden:

- Dabei soll man die Scharnierverbindungen, Wälzylinder, Federn, Führungsleisten mit einem Schmierstoff, (vor der Inbetriebnahme des Tores und beim Bedarf während des Betriebes).
- Der Schlosszylinder darf nicht geölt werden. Im Bedarfsfall soll man einen Schmierstoff verwenden.
- Während der Übersichten sollen die das Tor an die Wand befestigenden Elemente, Schrauben (Schafschrauben) und Einführungsrollen kontrolliert werden. Die gegebenenfalls entdeckten Unstimmigkeiten sollen unverzüglich beseitigt werden. Bevor sie nicht beseitigt worden sind, ist die Nutzung des Tores unzulässig.
- Sollten irgendwelche Inkorrektheiten in der Funktion oder die Beschädigungen der Baugruppen des Tores festgestellt werden, muss die Nutzung eingestellt und das Vertragsservice gerufen werden.
- Die Antriebsbefestigung soll geprüft werden.

[B000029] Die Scheiben in den Verglasungen (Fenster, verglaste Alu-Profile) sollen mit sauberen und sehr weichen Stoffen, am besten aus Baumwolle, gereinigt werden. Es dürfen nicht scheuernde Reinigungsmittel, z.B. pH-neutrale Geschirrspülmittel gebraucht werden, aber es wird empfohlen, zuerst eine Probe auf einer kleinen Verglasungsfläche durchzuführen. Die Scheibe soll vor der Reinigung gründlich mit Wasser gespült werden (es werden keine Hochdruckreiniger empfohlen), damit die kleinsten Partikeln von Verunreinigungen und Staub entfernt werden, die die Scheibenoberfläche zerkratzen können. Es werden keine alkoholhaltigen oder lösungsmittelhaltigen Reinigungsmittel empfohlen (die Anwendung solcher Reinigungsmittel verursacht, dass die Scheibenoberfläche matt wird).

[C000017] Arbeitsschritte, die eine kompetente Fachkraft mit entsprechenden Berechtigungen ausführen kann.

[D000332] Das Tor soll mindestens einmal pro 12 Monate einer Serviceübersicht unterzogen werden.

Im Rahmen von standardmäßigen Wartungsarbeiten soll man:

- die Federspannung prüfen, indem das Tor in die halbe Höhe gehoben wird (Blattwinkel ca. 45°):
 - wenn sich das Blatt deutlich senkt, soll die Federspannung durch das Nachstellen erhöht werden, Abb. I.II,
 - wenn das Blatt deutlich höher geht, soll die Federspannung durch die Nachstellung erniedrigt werden, Abb. I.II.



Sollten die obigen Arbeiten nicht durchgeführt werden, besteht die Gefahr, dass das Blatt unerwartet herunterfällt und die Personen verletzt oder die sich in der Nähe befindenden Gegenstände beschädigt.

- prüfen, ob die Federtrommel korrekt befestigt sind, und beim Bedarf ausbessern,
- prüfen, ob sich die Fahrrollen beim Toröffnen und -schließen drehen. Sollten sie den Widerstand leisten oder sich überhaupt nicht drehen, muss ihr Zustand, und insbesondere die fahrende Oberfläche kontrolliert werden. Im Bedarfsfall sollen die ganzen Baugruppen ausgewechselt werden.
- Im Rahmen der Übersicht sollen mechanische Baugruppen geprüft werden, die Einfluss auf Sicherheit und richtige Torfunktion haben. Sollten irgendwelche Fehler festgestellt werden, müssen sie unbedingt beseitigt und die fehlerhaft wirkenden Baugruppen und Teile repariert oder ausgetauscht werden.
- den Federstand prüfen.

[D000370] Arbeiten, die nur von dem Professionellen Monteur abgewickelt werden dürfen:

Jegliche Abänderungen und Modifikationen des Tores sollen mit dem Hersteller abgestimmt werden. Der Bereich der periodischen Übersichtsarbeiten, die am Tor durch das Vertragsservice des Herstellers realisiert werden:

- Toridentifizierung: Typ des Tores, Seriennummer.
- Kontrolle der Torkennzeichnung, fehlende Warnaufkleber sollen vervollständigt werden.
- Untersuchung der im Tor angewandten Verbindungselemente: Dübel, die das Tor an die Wand befestigen, Schrauben zum Befestigen der Führungsleisten.
- Überprüfung der Federn und der damit zusammenarbeitenden Elemente. Sollten deutliche Verschleißspuren entdeckt werden, müssen diese Elemente unbedingt ausgetauscht werden.
- Wenn das Tor über 12 Jahre lang betrieben wird, oder über 10 000 Arbeitszyklen ausgeführt hat (die Zahl der Zyklen soll schätzungsweise an Hand

des Gesprächs mit dem Tornutzer bestimmt werden), müssen die Federn unbedingt ausgewechselt werden.

Man muss die Bedingungen berücksichtigen, unter denen das Tor betrieben wird. Falls sie den erforderlichen Betriebsbedingungen nicht entsprechen, soll der Besitzer über die möglichen Konsequenzen unterrichtet werden (z.B. über die Ausfallmöglichkeit).

[C000235] Arbeiten, die nur von dem Vertragsservice des Herstellers realisiert werden können:

- jegliche Torabänderungen,
- Austausch der Federn, die das Torblatt ausgleichen,
- Reparaturen an elektrischen Baugruppen.
- Reparaturen der Torbaugruppen.



Bei allen Wartungsarbeiten und Torübersichten soll die Antriebsspannung ausgeschaltet werden. Die Befestigung der das Gewicht des Torblattes ausgleichenden Federn darf ausschließlich dann gelöst werden, wenn das Tor geöffnet ist

[A000011] Alle Arbeitsschritte sollen gemäß der vorliegenden Montage- und Bedienungsanleitung des Tores abgewickelt werden. Alle Anmerkungen und Empfehlungen sollen dem Torbesitzer in der schriftlichen Form mitgeteilt werden, sie sollen z.B. in das Berichtsbuch des Tores oder in den Garantieschein eingetragen und dem Torbesitzer überwiesen werden. Nachdem die Übersicht durchgeführt worden ist, soll sie durch die Eintragung in das Berichtsbuch oder den Garantieschein des Tores bestätigt werden.

 [A000068] **Der Hersteller behält sich das Recht vor, die aus dem technischen Fortschritt resultierenden Konstruktionsänderungen, die die Funktionalität des Erzeugnisses nicht beeinträchtigen, ohne Benachrichtigung einzuführen.**

Die Dokumentation bildet das Eigentum des Herstellers. Das Kopieren, Abbilden und Nutzen des vollen Textes und seiner Teile ist ohne schriftliche Genehmigung des Eigentümers verboten.

[D000334] 17. DIE MEISTGESTELLTEN FRAGEN

Ursache	Lösung
Das Tor öffnet sich schwer – und schließt gewaltsam, das Torblatt ist nicht ausgeglichen (das Tor fällt selbsttätig herunter oder öffnet sich).	<ul style="list-style-type: none"> Die Federspannung kontrollieren – das Tor bis zur halben Höhe öffnen. Das Tor soll in dieser Position bleiben. Wenn sich das Tor deutlich senkt, soll die Federspannung erhöht werden. Wenn das Tor deutlich höher geht, soll die Federspannung erniedrigt werden.
Während der Torfunktion treten große Bewegungswiderstände auf. Das Blatt geht nicht glatt auf.	<ul style="list-style-type: none"> Prüfen, ob sich die Rollen beim Öffnen und Schließen des Torblattes drehen. Wenn sie den Widerstand leisten oder sich überhaupt nicht drehen, sollen sie nachgestellt und geschmiert werden. - Prüfen, ob die Führungsleisten frei von Schmutzablagerungen sind, die die Torfunktion beeinträchtigen können. Prüfen, ob die Führungsleisten korrekt montiert worden sind (Diagonale).
Das Schloss will sich nicht öffnen / schließen / arbeitet fehlerhaft.	<ul style="list-style-type: none"> Den Schließzylinder mit einem Graphitschmierstoff bedecken. Die Riegelfunktion überprüfen, beim Auftreten von Widerständen beschmieren. Prüfen, ob das den Riegel mit dem Schloss verbindende Element vorschriftsmäßig montiert worden ist. Die Funktion des Schlossblockierungsriegels prüfen.
Die Riegel sperren das Tor nicht.	<ul style="list-style-type: none"> Die Funktion der Riegel prüfen, nach Bedarf beschmieren. Die Verbindung der Riegelsperren mit dem Torschloss kontrollieren. Im Bedarfsfall soll bei den mit einem Seil ausgerüsteten Toren die Seilspannung erhöht werden. Bei den mit Zugbändern versehenen Toren sollen die Zugbänder ausgewechselt werden.
Die Riegel sperren das mit einem Antrieb versehene Tor nicht.	<ul style="list-style-type: none"> Die Einstellung des Endlagenbegrenzers prüfen. Prüfen, ob der Mikroschalter auf Schwenkmodus eingestellt ist. Die Seilspannung zwischen dem Schloss und dem Antrieb prüfen, nach Bedarf nachstellen.

In allen Zweifelsfällen oder wenn die Ursache sich nicht beseitigen lässt, soll man sich mit einem Vertragsservice in Verbindung setzen.

SPIS TREŚCI:

1. Informacje ogólne	12
2. Terminy i definicje wg normy	12
3. Objaśnienia symboli	12
4. Opis konstrukcji i dane techniczne	12
4.1. Zastosowanie i przeznaczenie	12
5. Zalecenia montażowe	12
6. Wymagane warunki montażu	13
7. Instrukcja instalowania	13
7.1. Kolejność instalacji	13
7.2. Błędy montażu bram	13
8. Dodatkowe wymagania	13
9. Ochrona środowiska	13
10. Demontaż bramy	13
11. Uwagi eksploatacyjne	13
12. Zakres warunków środowiskowych, dla których jest przeznaczona brama ..	14
13. Instrukcja obsługi i konserwacji	14
14. Ważne informacje i uwagi	14
15. Instrukcja obsługi bramy	14
16. Instrukcja bieżących konserwacji	14
17. Najczęściej zadawane pytania	16

[A000001] 1. INFORMACJE OGÓLNE

Montażu oraz regulacji bramy może dokonać co najmniej osoba KOMPETENTNA.

[D000323] Brama garażowa uchylna jest przeznaczona do użytku w zabudowie jednorodzinnej.

[A000066] Niniejsza Instrukcja Instalowania jest dokumentacją przeznaczoną dla Profesjonalnych Instalatorów lub Osób Kompetentnych. Zawiera ona niezbędne informacje gwarantujące bezpieczne instalowanie bramy.

Bramę i jej oddzielne elementy składowe należy instalować zgodnie z Instrukcją Instalowania i Obsługi dostarczoną przez producenta.

Do instalowania bramy należy stosować tylko oryginalne elementy mocujące dostarczone wraz z bramą.

Przed przystąpieniem do prac montażowych należy zapoznać się z całą instrukcją. Proszę przeczytać uważnie niniejszą instrukcję i stosować się do jej zaleceń. Prawidłowe działanie bramy jest uzależnione w znacznym stopniu od poprawnego jej zainstalowania.

Instrukcja obejmuje montaż bramy z wyposażeniem standardowym oraz elementami wyposażenia opcjonalnego. Zakres wyposażenia standardowego i opcjonalnego opisany jest w ofercie handlowej.

[B000002] Rodzaj i struktura materiału budowlanego, do którego będą mocowane bramy w sposób zasadniczy decyduje o wyborze elementów mocujących. Dostarczane standardowo w komplecie wraz z bramą kołki rozporowe są przeznaczone do zamocowania w materiałach pełnych o zbitej strukturze (np. beton, cegła pełna). W przypadku montażu bram do innych materiałów konieczna jest zamiana elementów mocujących na inne, odpowiednie do mocowania w materiałach z jakich wykonane są ściany i strop. W tym celu montażysta musi posłużyć się wytycznymi doboru elementów mocujących dostarczonymi przez ich producenta.

[B000028] Szyby stosowane w przeszkleniach (okienka, profile aluminiowe przeszklone) wykonane są z tworzywa sztucznego. Naturalną właściwością szymb z tworzywa sztucznego jest pochłanianie wilgotności z powietrza, co w zmiennych warunkach pogodowych może doprowadzić do przejściowego wytrącania się i osadzania pary wewnątrz przeszklenia. Roszenie się profili aluminiowych szyb jest zjawiskiem naturalnym i nie podlega roszczeniom reklamacyjnym.

[A000003] Instrukcja dotyczy montażu kilku typów bram. Rysunki poglądowe mogą różnić się co do szczegółów wykonania. W niezbędnych przypadkach szczegóły te są pokazane na oddzielnych rysunkach.

Instrukcja zawiera niezbędne informacje, gwarantujące bezpieczny montaż i użytkowanie, a także właściwą konserwację bramy.

Przy montażu należy przestrzegać przepisów BHP dotyczących prac montażowych, ślusarskich, prowadzonych elektronarzędziami w zależności od zastosowanej technologii montażu, oraz należy uwzględnić obowiązujące normy, przepisy i odnośną dokumentację budowy.

Podczas prac remontowych bramę należy zabezpieczyć przed odpryskami tynku, cementu, gipsu, które to mogą pozostawić plamy.

Instrukcja Instalowania i Obsługi jest dokumentacją przeznaczoną dla właściciela bramy. Po zakończeniu montażu należy ją przekazać właścicielowi. Instrukcję należy zabezpieczyć przed zniszczeniem i starannie przechowywać.

Gdy do montażu bramy zostaną wykorzystane elementy dostarczone przez różnych producentów lub dostawców, instalujący bramę uważany jest za jej producenta, zgodnie z normą europejską EN 13241-1.

Nie można przerabiać lub usuwać żadnych elementów bramy. Może to spowodować uszkodzenie części, zapewniających jej bezpieczne użytkowanie. Niedopuszczalna jest zmiana podzespołów bramy.

[C000229] Niedopuszczalne jest dokonywanie przeróbek bramy np. docieplenia skrzydła bramy.

[A000067] Przy montowaniu napędu postępować zgodnie z zaleceniami producenta napędu i dodatkowego wyposażenia. Do podłączenia napędu używać wyłącznie oryginalnych podzespołów producenta.

[B000052] Nie zastawiać obszaru ruchu bramy. Dlatego też na drodze otwierającej lub zamykającej się bramy nie mogą znajdować się żadne przeszkody. Należy się upewnić, że w trakcie ruchu bramy na jej drodze nie znajdują się osoby, a w szczególności dzieci lub też przedmioty.

[A000037] 2. TERMINY I DEFINICJE WG NORMY

Objaśnienia znaków ostrzegawczych stosowanych w instrukcji:



Uwaga! - znak oznaczający zwrócenie uwagi.



Informacja - znak oznaczający ważną informację.



Odnośnik - znak odsyłający do określonego punktu w niniejszej instrukcji instalowania.

Profesjonalny Instalator - kompetentna osoba lub jednostka, oferująca stronom trzecim usługi w zakresie instalowania bram, łącznie z ich ulepszeniem (wg EN 12635).

Osoba Kompetentna - osoba odpowiednio wykształcona, o kwalifikacjach wynikających z wiedzy i praktycznego doświadczenia, i zaopatrzona w niezbędne instrukcje, umożliwiające prawidłowe i bezpieczne przeprowadzenie wymaganego instalowania (wg EN 12635).

Właściciel - osoba fizyczna lub prawna, która ma tytuł prawny do dysponowania bramą i ponosi odpowiedzialność za jej działanie i użytkowanie (wg EN 12635).

Książka raportowa - książka, która zawiera główne dane dotyczące określonej bramy, i w której przewidziano miejsca, gdzie mogą być umieszczane zapisy z kontroli, prób, konserwacji i wszelkich napraw lub modyfikacji bramy (wg EN 12635).

[D000324] 3. OBJAŚNIENIA SYMBOLI

So - szerokość otworu

Ho - wysokość otworu

[B000088]



- brama z poprzeczką łączącą prowadnice poziome



- brama bez poprzeczki łączącej prowadnice poziome

[A000052]



- opcja



- ręczna



- automatyczna

[D000367] 4. OPIS KONSTRUKCJI I DANE TECHNICZNE

Bramy uchylne standardowo wykonywane są jako bramy garażowe. Szczegółowy zakres wymiarowy oraz dane techniczne podane są w cenniku. Konstrukcja bramy wykonana jest z kształtowników stalowych zamkniętych ocynkowanych, wypełniona blachą stalową ocynkowaną, profilowaną (trapez T-10), powlekaną poliesterem. Bramy mogą być wyposażone w drzwi przejściowe otwierane na zewnątrz oraz mogą być zastosowane przeszklenia. W bramach zastosowany jest układ sprężyn wspomagający podnoszenie i opuszczenie skrzydła bramy, sprężyny osłonięte są tulejami zabezpieczającymi przed zakleszczeniem np. palców.

[D000326] 4.1. ZASTOSOWANIE I PRZEZNACZENIE

Bramy garażowe uchylne przeznaczone są do użytku w budynkach prywatnych i pomieszczeniach gospodarczych.

[A000005] 5. ZALECENIA MONTAŻOWE

Przed montażem i uruchomieniem bramy należy dokładnie zapoznać się z wytycznymi zawartymi w niniejszej instrukcji. Należy przestrzegać zaleceń montażu i użytkowania bramy co pozwoli na jej prawidłowy montaż i zapewni długotrwałe, bezawaryjne użytkowanie. Wszystkie czynności związane z montażem bramy należy wykonać w opisanej kolejności.

[A000006] 6. WYMAGANE WARUNKI MONTAŻU

Brama powinna być zamontowana i użytkowana zgodnie z przeznaczeniem. Dobór i stosowanie bram w budownictwie powinno odbywać się na podstawie dokumentacji technicznej obiektu, opracowanej zgodnie z obowiązującymi przepisami i normami.

[B000005] Bramy mogą być montowane do ścian żelbetonowych, wykonanych z cegły lub ram stalowych. Pomieszczenie przeznaczone do montażu bram powinno być całkowicie wykończony (ściany otynkowane, wykończona posadzka), ściany nie mogą wykazywać błędów wykonania. Pomieszczenie powinno być suche i wolne od szkodliwych dla powłok lakierniczych substancji chemicznych.

Zarówno ściany boczne jak i ściana czołowa i nadproże otworu montażowego bramy muszą być pionowe oraz prostopadłe do posadzki oraz wykończone.



Zabrania się montażu bramy w pomieszczeniu w którym będą wykonywane prace wykończeniowe (tynkowanie, gipsowanie, szlifowanie, malowanie, itp.).

Posadzka w obrębie dolnej uszczelki powinna być wypoziomowana i wykonana w taki sposób, aby zapewnić swobodny odpływ wody. Należy zapewnić odpowiednią wentylację (schnięcie) garażu.



Instalowanie napędu elektrycznego do bramy przez profesjonalnego instalatora lub osobę kompetentną, należy wykonać zgodnie z Instrukcją Instalowania i Obsługi napędu.

[B000092] Przestrzeń potrzebna do zamontowania bramy musi być wolna od wszelkiego rodzaju rur, przewodów itp.



- [C000184] **Zabrania się otwierania skrzydła bramy bez zamocowanych przewodnic.**
- [C000230] **Zabrania się przenoszenia bramy poziomo poszyciem zewnętrznym w dół.**

[B000089] Warunki bezpieczeństwa

- Sposoby wykonania instalacji elektrycznej jak również jej zabezpieczenia przed porażeniem elektrycznym są określone przez obowiązujące normy i przepisy prawne.
- Obwód zasilający napędu powinien być wyposażony w urządzenie odcinające napięcie, zabezpieczenie różnicowo-prądowe oraz zabezpieczenie przed prądem przeciążeniowym.
- Instalacja zasilająca bramę powinna być wykonana jako oddzielny obwód elektryczny.
- Obowiązkowe uziemienie napędu powinno być wykonywane w pierwszej kolejności.
- Do montażu napędu należy używać przewodów dostarczonych przez producenta wraz z napędem.
- Instalacja elektryczna musi być wykonana zgodnie z przepisami obowiązującymi w danym kraju.
- Wszelkie prace elektryczne może wykonywać jedynie uprawniony instalator.

[D000368] 7. INSTRUKCJA INSTALOWANIA

Prawidłowe działanie bramy jest uzależnione w znacznym stopniu od poprawnego jej zamontowania. Producent poleca autoryzowane firmy montażowe. Tylko prawidłowe zainstalowanie i konserwacja prowadzone zgodnie z instrukcją, przez kompetentne jednostki lub osoby mogą zapewnić bezpieczne i zgodne z zamierzonym działaniem bramy.

[D000369] 7.1. KOLEJNOŚĆ INSTALACJI

- Rys.0.2. Przed przystąpieniem do instalowania należy sprawdzić wymiary (szerokość i wysokość) otworu montażowego.
- Rys.0.3. W razie potrzeby należy wykończyć otwór tak, aby ościeżnica mieściła się w nim z luzem umożliwiającym wypoziomowanie i pionowanie bramy w płaszczyźnie otworu.
- Rys.1-3. W pierwszej fazie instalacji należy ustawić bramę w pionie i w poziomie. Należy sprawdzić poprawność dolegania skrzydła do ościeżnicy na całym obwodzie. Jeżeli zaistnieje potrzeba dopuszczalna jest odchyłka w ustawieniu bramy - do 2 [mm] na 1 [m] pod warunkiem zapewnienia właściwej współpracy skrzydła z ościeżnicą. W przypadku zbyt mocnego ocierania skrzydła o ościeżnicę należy sprawdzić prostopadłość przewodnic do nadproża bramy, (lub sprawdzić przekątne przewodnic). Jeżeli warunki są zachowane dopuszcza się przegięcie ramion tak aby poprawić działanie bramy.
- Rys.4-15. Należy starannie wykonać kolejne czynności instalowania zobrażowane rysunkami.

Rys.8-9. Sprawdzić przekątne przewodnic poziomych. Montować przewodnice do sufitu za pomocą podwieszek montażowych.

Rys.4,11,12. Montować bramę używając kołków montażowych. Ilość kołków dostosowana jest do ilości blach montażowych bramy.

Rys.13.1. Po zamontowaniu wystające części podwieszek należy obciąć, stępić krawędzie cięcia, a powstałą krawędź zabezpieczyć farbą.

Rys.13.3. Mocowanie przewodnic poziomych do sufitu za pomocą dwóch kompletów podwieszek montażowych.

Rys.16. Montaż bramy z uszczelnieniem szczotkowym. Zdemontować próg bramy, a następnie mocować bramę używając kołków montażowych. Brama montowana bezpośrednio na podłożu.

Rys.1. Po wykonaniu instalowania należy sprawdzić poprawność działania bramy zgodnie z Instrukcją Instalowania i Obsługi w razie potrzeby dokonać niezbędnych regulacji. Sprawdzić prawidłowe napięcie sprężyn oraz w razie potrzeby dokonać ich regulacji (regulacji bramy można dokonać tylko i wyłącznie gdy brama jest całkowicie otwarta i zabezpieczona przed niekontrolowanym zamknięciem), w tym celu należy:

- otworzyć bramę podnosząc skrzydło do połowy wysokości (kąt skrzydła około 45°),
- jeżeli skrzydło wyraźnie opadnie, zwiększyć napięcie sprężyn poprzez regulację rys. nr I.II,
- jeżeli skrzydło wyraźnie się podniesie, zmniejszyć napięcie sprężyn poprzez regulację rys nr I.II.

[D000328] 7.2. BŁĘDY MONTAŻU BRAM

Istnieje niebezpieczeństwo, że przy montażu bram mogą być popełnione błędy, których można łatwo uniknąć zwracając uwagę aby:

- przewodnice bramy posiadały przekątną oraz były równoległe względem siebie,
- skrzydło bramy po zamknięciu posiadało przekątną,
- luzy boczne pomiędzy ościeżnicą a skrzydłem bramy były równe po obu stronach,
- wszystkie elementy złączne muszą być prawidłowo dokręcone.

Nieprzestrzeżenie wyżej wymienionych podstawowych zaleceń może powodować trudności w prawidłowym funkcjonowaniu bramy, uszkodzenie bramy lub w konsekwencji utratę gwarancji.

[A000007] 8. DODATKOWE WYMAGANIA

Po zakończeniu instalacji należy sprawdzić czy brama jest zaopatrzona w tabliczkę znamionową CE zgodnie z normą, a w przypadku stwierdzenia jej braku zaopatrzyć bramę w tabliczkę znamionową. Po sprawdzeniu poprawności działania bramy należy przekazać właścicielowi Instrukcję Instalowania i Obsługi bramy oraz książkę bramy jeżeli jest wymagana.

[A000008] 9. OCHRONA ŚRODOWISKA**Opakowania**

Elementy opakowań (tektury, tworzywa sztuczne itp.) są zakwalifikowane jako odpady nadające się do powtórnego przetworzenia. Przed wyrzuceniem opakowań zastosować się do miejscowych (lokalnych) regulacji prawnych dotyczących danego materiału.

Złomowanie wyrobu

Produkt składa się z wielu różnych materiałów. Większość z zastosowanych materiałów nadaje się do ponownego przetworzenia. Przed wyrzuceniem posgregować je, a następnie dostarczyć do punktu zbioru surowców wtórnych.



Przed złomowaniem zastosować się do miejscowych (lokalnych) regulacji prawnych dotyczących danego materiału.



[A000009] Pamiętaj! Zwrot materiałów opakowaniowych do obiegu materiałowego oszczędza surowce i zmniejsza powstawanie odpadów.

[D000329] 10. DEMONTAŻ BRAMY

1. Zamknąć i zaryglować bramę.
2. Zdemontować podwieszki i przewodnicę.
3. Wyciągnąć bramę z otworu uważając aby była skierowana poszyciem do góry.
4. Przed transportem należy zabezpieczyć skrzydło przed niekontrolowanym otwarciem.

[D000330] 11. UWAGI EKSPLOATACYJNE

Podstawowe warunki prawidłowej eksploatacji bramy zapewniające jej długotrwałą, bezawaryjną pracę:

- w obrębie uszczelki dolnej zapewnić swobodny odpływ wody,
- chronić bramę przed czynnikami szkodliwymi dla powłok lakierniczych oraz metali, min. środkami żrącymi takimi jak kwasy, ługi, sole,

- podczas wykańczania pomieszczenia lub jego remontu należy bramę zabezpieczyć przed odpryskami tynku, farbami i rozpuszczalnikami,
- standardowo sprężyny wyważające ciężar skrzydła bramy dobrane są na 10 000 cykli. Po wykonaniu przez bramę określonej liczby cykli sprężyny należy bezwzględnie wymienić,
- bramy sterowane elektrycznie należy otwierać zgodnie z instrukcją dostarczoną wraz z wyposażeniem elektrycznym,
- jeżeli podczas podnoszenia bramy występują nadmierne opory należy sprawdzić prawidłowość zamontowania bramy i w przypadku stwierdzenia nieprawidłowości przeprowadzić regulację zgodnie z instrukcją montażu,
- jeżeli w bramie zamontowane są drzwi przejściowe zabrania się podnoszenia bramy w przypadku gdy drzwi przejściowe nie są zamknięte na klucz.

[B000170] 12. ZAKRES WARUNKÓW ŚRODOWISKOWYCH, DLA KTÓRYCH JEST PRZEZNACZONA BRAMA

- Temperatura - (-30° C) do +50° C
- Wilgotność względna - max. 80% nie skondensowana
- Pola elektromagnetyczne - nie dotyczy

Podane wartości dotyczą bram ręcznych. W przypadku bram z napędem - zakres warunków środowiskowych podano w Instrukcji Instalowania i Obsługi napędu.

[A000029] 13. INSTRUKCJA OBSŁUGI I KONSERWACJI

Niniejsza Instrukcja Instalowania i Obsługi jest dokumentacją przeznaczoną dla właściciela bramy.

Proszę przeczytać uważnie niniejszą instrukcję i stosować się do jej zaleceń. Zawiera ona niezbędne informacje gwarantujące bezpieczne użytkowanie oraz obsługę i konserwację bramy.

[A000010] 14. WAŻNE INFORMACJE I UWAGI



- Proszę starannie przechowywać niniejszą instrukcję.
- Wszystkie czynności obsługi należy przeprowadzić zgodnie z Instrukcją Instalowania i Obsługi bramy.
- Przy wszelkich pracach związanych z przeglądami i naprawami bramy należy przestrzegać przepisów BHP oraz zaleceń zawartych w Instrukcji Instalowania i Obsługi bramy.
- Niedopuszczalna jest zmiana podzespołów lub części bramy.



[B000006] Informacje dotyczące zabronionego używania bramy

- Zabrania się otwierania bramy bez zamocowanych przewodnic.
- Zabrania się zastawiania przestrzeni ruchu bramy. Podczas zamykania lub otwierania bramy upewnić się, że w strefie ruchu nie znajdują osoby lub przedmioty, a w szczególności dzieci.
- Zabrania się przebywania osób oraz pozostawiania samochodów lub innych przedmiotów w świetle otwartej bramy.
- Zabrania się przebywania, przechodzenia, przebiegania lub przejeżdżania pod poruszającą się bramą.
- Zabrania się używania bramy do unoszenia przedmiotów lub osób.
- Nie pozwalać dzieciom bawić się urządzeniami. Nadajniki sterujące bramą powinny być przechowywane z dala od dzieci. Nadajniki przechowywać w miejscach suchych, nie zawilgoconych.
- Zabrania się przerabiać lub usuwać jakichkolwiek elementów bramy! Może to spowodować uszkodzenie części zapewniających jej bezpieczne użytkowanie.
- [B000090] Zabrania się montować jakichkolwiek dodatkowych wypełnień lub izolacji cieplnych skrzydła bez pisemnego uzgodnienia z producentem. Sprężyny są dokładnie dostosowane do masy skrzydła bramy i wszelkie dodatkowe elementy montowane na nim mogą spowodować ich przeciężenie i nieprawidłowe działanie bramy.
- [B000093] Bramy z z napędem elektrycznym należy otwierać zgodnie z z Instrukcją Instalowania i Obsługi napędu.
- [B000008] Bramę należy chronić przed czynnikami szkodliwymi dla powłok lakierniczych oraz metali, min. środkami żrącymi takimi jak kwasy, ługi, sole. Bramę należy zabezpieczyć przed odpryskami tynku, farbami i rozpuszczalnikami, podczas wykańczania pomieszczenia lub jego remontu.

[C000011] 15. INSTRUKCJA OBSŁUGI BRAMY



- **Nie zastawiać obszaru ruchu bramy.** Brama otwiera się pionowo do góry. Dlatego też na drodze otwierającej lub zamykającej się bramy nie mogą znajdować się żadne przeszkody. Należy się upewnić, że w trakcie ruchu bramy na jej drodze nie znajdują się osoby, a w szczególności dzieci lub też przedmioty.
- Uwaga! Niebezpieczeństwo wypadku.**

- [A000063] Zabrania się używania niesprawnej bramy, w szczególności niedopuszczalna jest eksploatacja bramy jeżeli nastąpiło widoczne uszkodzenie, sprężyn wyważających, elementów zawieszania lub podzespołów odpowiedzialnych za bezpieczną eksploatację bramy.
- [B000007] Zabrania się użytkowania bramy w przypadku stwierdzenia jakichkolwiek nieprawidłowości w pracy lub uszkodzenia podzespołów bramy. Należy przerwać jej użytkowanie i skontaktować się z autoryzowanym serwisem.

[C000012] Przed pierwszym otwarciem bramy należy sprawdzić prawidłowość jej zamontowania, zgodnie z Instrukcją Instalowania i Obsługi.

Brama zamontowana jest poprawnie wtedy gdy jej skrzydło / kurtyna, porusza się płynnie oraz jej obsługa jest łatwa.

[C000399] **Otwieranie** - bramę należy otwierać ręcznie tylko za pomocą klamek lub przeznaczonych do tego uchwytów zewnętrznych lub wewnętrznych. Niewłaściwa obsługa może być przyczyną wypadku.

Zamykanie - bramę należy zamykać ręcznie przez energiczne dopchnięcie poprzez klamkę skrzydła, powodujące samoczynne zaskoczenie rygli zatrzaskowych za elementy współpracujące ościeżnicy.

Zaryglowanie (zamka) bramy - standardowo bramy wyposażone są w zamki, które w przypadku, gdy brama nie posiada napędu, można zaryglować poprzez przekręcenie klucza o 360 stopni w kierunku przeciwnym do ruchu wskazówek zegara.

Odryglowanie (zamka) bramy - należy użyć klucza lub rygla blokady:

- od zewnątrz - należy przekręcić klucz o 360 stopni zgodnie z ruchem wskazówek zegara,
- od wewnątrz - należy przesunąć w górę rygiel blokady umieszczony obok wkładki zamka jednocześnie przekręcić klamkę w prawo.

[C000088] Drzwi przejściowe

- Drzwi przejściowe można tylko otwierać tylko ręcznie poprzez pociągnięcie za klamkę w kierunku otwierania się drzwi. Drzwi należy otwierać i zamykać łagodnie bez nagłych szarpnięć, które wpływają negatywnie na trwałość, funkcjonalność i bezpieczeństwo użytkowania.
- Drzwi przejściowe zamontowane i wyregulowane są prawidłowo wtedy, gdy skrzydło porusza się płynnie oraz ich obsługa jest łatwa.
- Należy unikać silnych uderzeń skrzydła drzwi o ramę tzn. "trzaskanie", które może spowodować uszkodzenie powłoki malarskiej, pęknięcie przeszklenia, pogorszenie funkcjonowania okuć, zawiasów, uszczelnień, wygięcia skrzydła drzwi.
- Zabrania się obciążać skrzydło drzwi dodatkowymi ciężarami, siłowych otwarć oraz pozostawiania przedmiotów w zasięgu pracy skrzydła drzwi.

[C000089] Każdorazowo do drzwi przejściowych zaleca się zastosowanie samozamykacza, który należy stosować wyłącznie do samozamknięcia się skrzydła drzwi po ich uprzednim ręcznym otwarciu.

[C000090] Każdorazowo przed uruchomieniem bramy należy upewnić się, że drzwi przejściowe są zamknięte. Drzwi przejściowe zamontowane w bramie z napędem elektrycznym muszą być wyposażone w wyłącznik krańcowy uniemożliwiający uruchomienie napędu w przypadku otwartych drzwi.

[C000091] Zabrania się przykładania dodatkowej siły (innej niż samozamykacza) w celu domknięcia lub przyspieszenia zamknięcia się skrzydła drzwi, co prowadzi do rozregulowania lub uszkodzenia samozamykacza.



[C000209] **Zabrania się wkładania jakichkolwiek przedmiotów pomiędzy otwierające lub zamykające się skrzydło, ramę drzwi.**

Uwaga! Niebezpieczeństwo wypadku.

[C000050] 16. INSTRUKCJA BIEŻĄCYCH KONSERWACJI

Czynności możliwe do wykonania przez Właściciela po dokładnym zapoznaniu się z instrukcją dostarczoną wraz z bramą:

[C000258] Powierzchnię zewnętrzną skrzydła bramy czyścić należy gąbką i czystą wodą lub dostępnymi w handlu środkami do czyszczenia lakieru. Nie należy stosować środków czyszczących mogących zarysować powierzchnię, ostrych narzędzi lub środków do czyszczenia na bazie rozpuszczalnika nitro. Co najmniej raz na 6 miesięcy przeprowadzać bieżące przeglądy bramy w czasie których należy:

- Połączenia zawiasowe, rolki toczne, sprężyny, prowadnice nasmarować smarem, przed uruchomieniem bramy oraz w trakcie eksploatacji w razie potrzeby.
- Nie należy oliwić wkładki bębnekowej zamka. W razie potrzeby należy nasmarować smarem.
- Podczas przeglądów należy sprawdzić elementy mocujące bramę do ściany, śruby (wkrety), rolki wprowadzające, w przypadku stwierdzenia jakichkolwiek nieprawidłowości należy je bezwzględnie usunąć, przed ich usunięciem eksploatacja bramy jest niedopuszczalna.

- W przypadku stwierdzenia jakichkolwiek nieprawidłowości w pracy lub uszkodzenia podzespołów bramy należy przerwać jej użytkowanie i skontaktować się z autoryzowanym serwisem.
- Sprawdzić mocowanie napędu.

[B000029] Do czyszczenia szyb w przeszkleniach (okienka, profile aluminiowe przeszkłone) należy używać suchych, czystych i bardzo miękkich, najlepiej bawełnianych tkanin. Można stosować nie szorujące środki czyszczące np. płynu do mycia naczyń o neutralnym odczynie pH, ale zaleca się wcześniejsze przeprowadzenie próby na małej powierzchni przeszklenia. Przed czyszczeniem, szybę należy dokładnie spłukać wodą (nie zaleca się stosować urządzeń czyszczących wysokociśnieniowych) w celu usunięcia drobinek zanieczyszczeń i kurzu, które mogą spowodować porysowanie powierzchni szyby. Nie zaleca się używania środków czyszczących zawierających alkohol lub rozpuszczalniki (powodują trwałe matowienie powierzchni szyby).

[C000017] **Czynności możliwe do wykonania przez Osobę Kompetentną posiadającą odpowiednie uprawnienia**

[D000332] Przegląd serwisowy bramy należy przeprowadzać co najmniej raz na 12 miesięcy.

W ramach standardowych czynności konserwacyjnych należy:

- Sprawdzić napięcie sprężyn - otworzyć bramę podnosząc skrzydło do połowy wysokości, kąt skrzydła około 45°:
 - jeżeli skrzydło wyraźnie opadnie, zwiększyć napięcie sprężyn poprzez regulację, rys. I.II,
 - jeżeli skrzydło wyraźnie się podniesie, zmniejszyć napięcie sprężyn poprzez regulację, rys. I.II.



W razie nie przeprowadzenia powyższych prac istnieje niebezpieczeństwo, że skrzydło nagle opadnie i spowoduje zranienie osób lub uszkodzenie przedmiotów znajdujących się w jej pobliżu.

- Sprawdzić stan zamocowania osłon sprężyn i w razie potrzeby poprawić.
- Sprawdzić, czy rolki jezdne podczas otwierania i zamykania skrzydła bramy obracają się. Jeżeli stawiają opór lub nie kręcą się wcale, należy sprawdzić ich stan, a szczególnie powierzchnie jezdne. W razie konieczności należy wymienić całe zespoły.
- W ramach przeglądu należy sprawdzić podzespoły mechaniczne mające wpływ na bezpieczeństwo i prawidłową pracę bramy. W przypadku stwierdzenia jakichkolwiek usterek należy je bezwzględnie usunąć a wadliwie działające podzespoły i części naprawić lub wymienić.
- Sprawdzić stan sprężyn.

[D000370] **Czynności wymagające Profesjonalnego Instalatora:**

Wszelkie przeróbki oraz modyfikacje bramy uzgodnić z producentem. Zakres prac objętych przeglądem okresowym bramy wykonywanym przez autoryzowany serwis producenta.

- Zidentyfikować bramę typ bramy, nr seryjny.
- Sprawdzić oznakowania bramy, naklejki ostrzegawcze, w przypadku ich braku należy uzupełnić.
- Sprawdzić części złączne zastosowane w bramie: kołki mocujące bramę do ściany, śruby mocujące prowadnice.
- Sprawdzić sprężyny oraz elementy współpracujące z nimi w przypadku wystąpienia wyraźnych śladów zużycia należy bezwzględnie te elementy wymienić.
- W przypadku eksploatacji powyżej 12 lat lub wykonania przez bramę powyżej 10 000 cykli (ilość cykli należy określić szacunkowo na podstawie rozmowy z użytkownikiem bramy) - sprężyny należy bezwzględnie wymienić.
- Zwrócić uwagę na warunki w jakich eksploatowana jest brama, jeżeli warunki te odbiegają od wymaganych warunków eksploatacji należy poinformować właściciela o możliwych konsekwencjach (np. możliwość wystąpienia awarii).

[C000235] **Czynności możliwe do wykonania wyłącznie przez autoryzowany serwis producenta:**

- wszelkie przeróbki bram,
- wymiana sprężyn wyważających skrzydło bramy,
- naprawy podzespołów elektrycznych.
- naprawy podzespołów bramy.



Przy wszelkich pracach konserwacyjnych oraz przeglądach bramy odłączyć zasilanie napędu. Mocowanie sprężyn wyważających ciężar skrzydła bramy można zluźnić wyłącznie, gdy brama jest w pozycji otwartej.

[A000011] Wszystkie czynności wykonać zgodnie z niniejszą Instrukcją Instalowania i Obsługi bramy. Wszelkie uwagi i zalecenia przekazać właścicielowi

bramy w formie pisemnej, np. zanotować w książce raportowej bramy lub karcie gwarancyjnej i przekazać właścicielowi bramy.

Po wykonaniu przeglądu potwierdzić jego przeprowadzenie wpisem w książce raportowej lub karcie gwarancyjnej bramy.

[A000068] **Producent zastrzega sobie prawo dokonywania zmian konstrukcyjnych wynikających z postępu technicznego nie zmieniających funkcjonalności wyrobu bez powiadomienia.**

Dokumentacja jest własnością producenta. Kopiowanie, odwzorowywanie i wykorzystywanie w całości lub w części bez pisemnej zgody właściciela jest zabronione.

[D000334] 17. Najczęściej zadawane pytania

Przyczyna	Rozwiązanie
Brama ciężko się otwiera /gwałtownie zamyka, skrzydło bramy jest nie wyważone (brama samoczynnie opada lub otwiera się)	<ul style="list-style-type: none"> • Sprawdzić napięcie sprężyn - otworzyć bramę do połowy, brama powinna pozostać w tej pozycji. Jeżeli brama wyraźnie opadnie, należy zwiększyć napięcie sprężyn. Jeżeli brama wyraźnie się podniesie, należy zmniejszyć napięcie sprężyn.
Podczas pracy bramy występują duże opory ruchu, skrzydło nie otwiera się płynnie	<ul style="list-style-type: none"> • Sprawdzić, czy rolki podczas otwierania i zamykania skrzydła bramy obracają się. Jeżeli stawiają opór lub nie kręcą się wcale należy je na nowo wyregulować i nasmarować. • Sprawdzić czy w prowadnicach nie występują zanieczyszczenia mogące wpłynąć na błędną pracę bramy. • Sprawdzić prawidłowy montaż prowadnic (przekątna).
Zamek nie otwiera się/nie zamyka, występuje błędna praca zamka	<ul style="list-style-type: none"> • Nasmarować wkładkę bębnekową smarem grafitowym. • Sprawdzić działanie rygla, w razie występowania oporów należy nasmarować. • Sprawdzić poprawność zamontowania łącznika zamka z rygłem. • Sprawdzić działanie zasuwki blokującej zamek.
Rygle nie zatrzaskują bramy	<ul style="list-style-type: none"> • Sprawdzić pracę rygli w razie potrzeby nasmarować. • Sprawdzić połączenie zatrzasków z zamkiem bramy. Jeżeli zachodzi taka potrzeba w przypadku bram wyposażonych w linkę zwiększyć napięcie linki gdy brama wyposażona w cięgna wymienić cięgna.
Rygle nie zatrzaskują bramy w bramie wyposażonej w napęd	<ul style="list-style-type: none"> • Sprawdzić ustawienie ogranicznika położenia krańcowego. • Sprawdzić ustawienie mikroprzełącznika w tryb pracy bramy uchylnej. • Sprawdzić napięcie linki między zamkiem a napędem w razie potrzeby wyregulować.

W razie jakichkolwiek wątpliwości lub nie ustąpienia przyczyny należy skontaktować się z autoryzowanym punktem serwisowym.

TABLE DE MATIERES :

1. Renseignements généraux 17
 2. Termes et définitions conformes à la norme 17
 3. Explication des symboles 17
 4. Description de la structure et données techniques 17
 4.1. Destination et utilisation 17
 5. Recommandations de montage 17
 6. Conditions de montage requises 17
 7. Instruction d'installation 18
 7.1. Ordre d'installation 18
 7.2. Erreurs de montage 18
 8. Exigences complémentaires 18
 9. Protection de l'environnement 18
 10. Démontage de la porte 18
 11. Conseils d'exploitation 18
 12. Champ d'application des conditions de l'environnement de la porte de garage 18
 13. Instruction d'utilisation et d'entretien 18
 14. Renseignements et informations importants 18
 15. Instruction d'utilisation de la porte 19
 16. Instruction d'entretien courant 19
 17. Question fréquemment posées 21

[A000001] **1. RENSEIGNEMENTS GÉNÉRAUX**

L'installation et le réglage de la porte ne peuvent être effectués que par une personne COMPÉTENTE.

[D000323] La porte de garage basculante est destinée à être installée dans les maisons individuelles.

[A000066] Ce Manuel d'Installation est un document destiné aux Installateurs Professionnels ou aux Personnes Compétentes. Il contient des informations nécessaires au montage des portes en toute sécurité.

La porte et ses composants séparés doivent être installés conformément au Manuel d'Installation et d'Exploitation fourni par le fabricant.

Pour l'installation de la porte, n'utilisez que les éléments de fixation originaux fournis avec celle-ci.

Avant de commencer les travaux de montage, lisez le manuel en entier. Lisez les présentes instructions attentivement et respectez les consignes y contenues. Le bon fonctionnement de la porte dépend dans une large mesure de son installation correcte.

Ce manuel comprend le montage de la porte avec son équipement standard et les éléments d'équipement optionnel. La gamme de l'équipement standard et optionnel est décrite dans l'offre commerciale.

[B000002] La nature et la structure du matériau auquel les portes seront fixées déterminent le choix de pièces de fixation. Les chevilles fournies en standard avec la porte sont destinées aux matériaux durs (béton, brique pleine, etc.). En cas d'autre type de matériau, il est nécessaire de choisir des pièces de fixation adaptées aux matériaux des murs et du plafond. Pour ce faire, l'installateur devrait se servir des conseils fournis par le fabricant de pièces de fixation.

[B000028] Les vitrages employés dans les éléments vitrés (hublots, profils vitrés en aluminium) sont faits en matière plastique. Ce type de vitrage permet l'infiltration de l'humidité ce qui peut provoquer une condensation passagère de la vapeur à l'intérieur du vitrage. La buée qui apparaît sur les profils d'aluminium est un phénomène naturel qui n'est pas couvert par la garantie.

[A000003] L'instruction concerne l'installation de plusieurs types de portes. Les croquis informatifs ne présentent pas tous les détails d'exécution différents. Si nécessaire, ces détails sont montrés séparément.

L'instruction comprend des informations nécessaires, garantissant une installation et une utilisation sûres, ainsi qu'un entretien correct de la porte.

Pendant l'installation, il est obligatoire de respecter les dispositions de sécurité et d'hygiène du travail concernant les travaux de montage et de serrurerie, exécutés avec des électro-outils selon la technologie employée, en conformité avec les normes et les règlements en vigueur et en respectant les plans.

Lors des travaux, la porte doit être protégée contre les éclats de ciment et de plâtre qui peuvent laisser des taches.

L'Instruction d'installation et d'utilisation est destinée au propriétaire de la porte. Une fois le montage fini, elle devrait lui être remise. Elle doit être protégée contre la destruction et soigneusement conservée.

Conformément à la norme européenne EN 13241-1, lorsque l'installateur emploie des éléments provenant de différents fabricants ou fournisseurs, il est considéré comme le constructeur de la porte.

Aucun élément de la porte ne peut être modifié ni enlevé. Cela pourrait endommager les pièces assurant la sécurité d'utilisation. Il est interdit de changer les composants de la porte.

[C000229] Il est interdit de faire des modifications de la porte telles que calorifugeage du tablier.

[A000067] Lors de l'installation du dispositif d'entraînement, suivez les instructions du fabricant de ce dispositif et des équipements supplémentaires. Pour connecter l'entraînement, n'utilisez que les sous-ensembles d'origine du fabricant.

[B000052] La zone de mouvement de la porte doit être dégagée. Aucun obstacle ne doit empêcher ses mouvements d'ouverture et de fermeture. Il est nécessaire de vérifier s'il n'y a pas d'objets, de personnes et surtout d'enfants sur le chemin du tablier pendant son mouvement.

[A000037] **2. TERMES ET DÉFINITIONS CONFORMES A LA NORME**

Explication des signes d'avertissement employés dans l'instruction :



Attention ! - attire l'attention du lecteur.



Information - introduit une information importante.



Renvoi - dirige vers un autre point de la présente instruction.

Installateur professionnel - personne ou entité compétente qui offre aux tiers les services d'installation et de modernisation de portes (selon la norme EN 12635).

Personne compétente - personne ayant la formation et les compétences, le savoir et l'expérience pratique, équipée d'instructions nécessaires lui permettant l'exécution correcte et sûre des travaux d'installation (selon la norme EN 12635).

Propriétaire - personne physique ou morale ayant le titre l'autorisant de disposer de la porte et assumant la responsabilité de son fonctionnement et utilisation (selon la norme EN 12635).

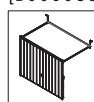
Cahier des rapports - livre qui contient les principales caractéristiques concernant la porte donnée où on inscrit des rapports de contrôle, d'essais, d'entretien et de toutes réparations ou modifications de la porte (selon la norme EN 12635).

[D000324] **3. EXPLICATION DES SYMBOLES**

So - largeur de la baie

Ho - hauteur de la baie

[B000088]



- porte avec traverse reliant les rails de guidage horizontaux



- porte sans traverse reliant les rails de guidage horizontaux

[A000052]



- option



- manuelle



- automatique

[D000367] **4. DESCRIPTION DE LA STRUCTURE ET DONNÉES TECHNIQUES**

En standard, les portes basculantes sont les portes de garage. La plage dimensionnelle détaillée et les données techniques sont indiquées dans la liste des prix. La charpente de la porte est fabriquée à partir de profils fermés en acier galvanisé, remplis de tôle en acier galvanisé, profilée (trapèze T-10), recouverte de peinture polyester. Les portes peuvent posséder un portillon d'entrée ouvrant vers l'extérieur et des vitrages. Les portes sont équipées d'un système de ressorts qui assiste le levage et l'abaissement du battant. Les ressorts possèdent une protection flexible p. ex. contre le coincement des doigts.

[D000326] **4.1. DESTINATION ET UTILISATION**

Les portes de garage basculantes sont destinées à être installées dans les maisons privées et les locaux auxiliaires.

[A000005] **5. RECOMMANDATIONS DE MONTAGE**

Avant le montage et la mise en marche de la porte, il est nécessaire de lire attentivement les dispositions de la présente instruction. Le respect des recommandations de montage et d'utilisation permet une installation correcte et assure une utilisation longue et sans pannes de la porte. Il faut également observer l'ordre de toutes les opérations de montage.

[A000006] **6. CONDITIONS DE MONTAGE REQUISES**

La porte doit être installée et utilisée conformément à sa destination. Le choix et l'emploi des portes se fassent suivant le dossier technique du bâtiment, élaboré avec respect des règlements et normes en vigueur.

[B000005] Les portes peuvent être fixées aux murs en béton, en brique ou en ossature métallique. Les locaux destinés à recevoir les portes doivent être bien préparés (murs et sols finis), secs et libres de toute substance chimique nocive aux revêtements peints.

Les murs latéraux, tout comme le mur frontal et le linteau au dessus de la baie, doivent être verticaux, parallèles au sol et convenablement finis.



Il est interdit d'installer la porte dans un local où sont prévus des travaux de finition (enduits, plâtrerie, ponçage, peinture, etc.).

L'endroit où le tablier touche le sol doit être nivelé et fini de façon à permettre l'évacuation des eaux. Une aération efficace du garage doit être également assurée.



L'installation d'une motorisation doit être exécutée par un installateur professionnel ou une personne compétente, conformément à l'Instruction d'installation et d'utilisation correspondante.

[B000092] L'espace nécessaire pour installer la porte de garage doit être libre de toutes sortes de tuyaux, de câbles etc.



- [C000184] **Il est interdit d'ouvrir le tablier de la porte sans que les rails de guidage soient fixés.**
- [C000230] **Il est interdit de transporter la porte en position horizontale, côté extérieur vers le bas.**

[B000089] Conditions de sécurité

- La structure de l'installation électrique et ses moyens de protection contre l'électrocution sont définis par les normes et les règlements applicables.
- Le circuit d'alimentation du système d'entraînement doit être équipé d'un interrupteur de courant, d'un disjoncteur différentiel et d'un dispositif de protection contre les surcharges de courant.
- L'installation d'alimentation de la porte doit être réalisée sous la forme d'un circuit électrique séparé.
- La mise à la terre obligatoire de l'entraînement doit être effectuée en premier.
- Pour le montage, utilisez les câbles fournis par le fabricant avec le dispositif d'entraînement.
- L'installation électrique doit être réalisée conformément aux règles nationales en vigueur, en fonction du pays.
- Tous les travaux électriques ne doivent être effectués que par un installateur qualifié.

[D000368] 7. INSTRUCTION D'INSTALLATION

Le bon fonctionnement de la porte dépend dans une large mesure de son montage correct. Le fabricant recommande les entreprises de montage autorisées. Seuls l'installation et l'entretien corrects, effectués conformément aux instructions par les unités ou les personnes compétentes, peuvent garantir un fonctionnement fiable et conforme à l'usage prévu de la porte.

[D000369] 7.1. ORDRE D'INSTALLATION

- Fig. 0.2. Avant de procéder à l'installation, vérifiez les dimensions (largeur et hauteur) de la baie de montage.
- Fig. 0.3. Si c'est nécessaire, vous devez réaliser la finition de la baie de sorte qu'elle puisse contenir le bâti avec un jeu permettant la mise à niveau et le centrage de la porte dans le plan de sa baie.
- Fig. 1-3. La première étape de l'installation consiste à ajuster la verticalité et l'horizontalité de la porte. Vous devez vérifier l'ajustement du battant au bâti sur tout le périmètre. Au besoin, il est admissible de laisser un écart de positionnement de la porte - jusqu'à 2 [mm] par 1 [m], à condition d'assurer une coopération appropriée entre le battant et le bâti. Si le battant frotte trop fortement contre le bâti, vous devez vérifier la perpendicularité des rails de guidage par rapport au linteau de la porte (ou vérifier les diagonales des rails). Si les autres conditions sont remplies, il est admissible de plier les volets de sorte à améliorer le fonctionnement de la porte.
- Fig. 4-15. Suivez soigneusement les étapes d'installation successives, illustrées par les figures.
- Fig. 8-9. Vérifiez les diagonales des rails de guidage horizontaux. Fixez les rails au plafond à l'aide des élingues de montage.
- Fig. 4, 11, 12. Installez la porte en utilisant des chevilles mécaniques. Le nombre de chevilles est adapté au nombre de plaques de montage de la porte.
- Fig. 13.1. Après le montage, coupez les parties saillantes des élingues, émoussiez les arêtes de coupure et protégez le bord ainsi créé avec de la peinture.
- Fig. 13.3. Fixation des rails de guidage horizontaux au plafond à l'aide de deux ensembles d'élingues de montage.
- Fig. 16. Montage d'une porte avec joint brosse. Démontez le seuil de la porte, puis installez la porte en utilisant des chevilles mécaniques. Porte montée directement sur le sol.
- Fig. I. Après avoir terminé l'installation, vérifiez le bon fonctionnement de la porte conformément au Manuel d'Installation et d'Exploitation ; effectuez des ajustements si nécessaire. Vérifiez si les ressorts sont bien tendus et effectuez des réglages au besoin (tout ajustement ne peut être effectué que lorsque la porte est complètement ouverte et protégée contre la fermeture accidentelle) ; pour ce faire, vous devez :
- ouvrir la porte en soulevant le battant jusqu'à la mi-hauteur (sous un angle d'environ 45°),
 - si le battant retombe de manière significative, augmentez la tension des ressorts en les ajustant suivant les figures I et II,
 - si le battant remonte de manière significative, diminuez la tension des ressorts en les ajustant suivant les figures I et II.

[D000328] 7.2. ERREURS DE MONTAGE

Il existe toujours un risque de faire des erreurs lors du montage de la porte ; pour l'éviter, il suffit de faire attention à ce que :

- les rails de guidage soient parallèles entre eux et leur diagonale soit correcte ;
- la diagonale du tablier de la porte en position fermée soit correcte ;
- les jeux latéraux entre le tablier et le châssis dormant soit égaux sur les deux côtés ;
- toutes les pièces d'assemblage soient correctement serrées.

La non observation des recommandations de base mentionnées ci-dessus peut engendrer des difficultés de fonctionnement de la porte, son détérioration ou, par conséquent, la perte de la garantie.

[A000007] 8. EXIGENCES COMPLEMENTAIRES

Une fois l'installation de la porte achevée, il convient de vérifier le marquage CE. S'il n'y en a pas, il faut accrocher à la porte une plaque signalétique CE conforme à la norme. Après le contrôle du bon fonctionnement de la porte, l'Instruction d'installation et d'utilisation sera remise au propriétaire, avec un livre de la porte si nécessaire.

[A000008] 9. PROTECTION DE L'ENVIRONNEMENT

Emballages

Les éléments d'emballage (cartons, matières plastiques etc.) sont des matériaux recyclables. Avant de les jeter à la poubelle, veuillez étudier les réglementations locales concernant le recyclage des matériaux employés.

Recyclage du matériel usagé

Le produit est composé de plusieurs différents matériaux. La plupart d'entre eux sont recyclables. Au lieu de les jeter, il est recommandé de les trier et ensuite envoyer dans un centre de tri des déchets recyclables.



Avant de jeter le matériel desuet, veuillez étudier les réglementations locales concernant le recyclage des matériaux composants.



[A000009] N'oubliez pas ! Le recyclage des matériaux d'emballage préserve les ressources naturelles et réduit le volume de déchets.

[D000329] 10. DEMONTAGE DE LA PORTE

1. Fermer et verrouiller la porte.
2. Enlever les suspentes et les rails de guidage.
3. Sortir la porte de la baie, côté extérieur vers le haut.
4. Pendant le transport, protéger la porte contre toute ouverture inopinée.

[D000330] 11. CONSEILS D'EXPLOITATION

Les principales conditions d'utilisation de la porte, lui garantissant un travail long et sans pannes :

- Au niveau du joint inférieur, assurer une évacuation libre des eaux ;
- Protéger la porte contre les agents nocifs pour les peintures et les métaux, tels que : acides, alcalis, sels et autres produits agressifs ;
- Lors des travaux de finition ou rénovation des locaux, protéger la porte contre tout éclat d'enduit, plâtre, peinture ou solvant ;
- Les ressorts compensant le poids du tablier sont prévus pour 10 000 cycles. Ensuite, ils doivent être impérativement remplacés ;
- L'ouverture des portes motorisées doit se faire conformément à l'Instruction qui est fournie avec l'équipement électrique ;
- Si, pendant la montée du tablier, il y a une résistance trop forte, vérifier le montage de la porte et effectuer tous les réglages nécessaires, conformément à l'Instruction de montage ;
- Lorsque la porte est équipée d'un portillon, il est interdit de soulever le tablier quand le portillon n'est pas fermé à clé.

[B000170] 12. CHAMP D'APPLICATION DES CONDITIONS DE L'ENVIRONNEMENT DE LA PORTE DE GARAGE

- Température - - 30°C à +50°C
- Humidité relative - max. 80% sans condensation
- Champs électromagnétiques - pas applicable

Cela concerne les portes manuelles, dans le cas de portes - le champs d'application de conditions de l'environnement ont été spécifiées dans le manuel d'installation et d'utilisation du dispositif d'entraînement.

[A000029] 13. INSTRUCTION D'UTILISATION ET D'ENTRETIEN

La présente Instruction d'utilisation et d'entretien est un document destiné au Propriétaire de la porte.

Veuillez lire attentivement la présente instruction et respecter ses dispositions. Elle comprend des informations permettant une utilisation sûre et un entretien correct de la porte.

[A000010] 14. RENSEIGNEMENTS ET INFORMATIONS IMPORTANTS



- Veuillez conserver soigneusement la présente instruction.
- Toutes les opérations d'exploitation doivent être effectuées conformément à l'Instruction d'installation et d'utilisation de la porte.
- Lors des travaux d'entretien ou de réparation, il est impératif de respecter les dispositions de sécurité et d'hygiène, ainsi que les dispositions comprises dans l'Instruction d'installation et d'utilisation de la porte.

- Toute modification des éléments ou pièces de la porte est inacceptable.



[B000006] **Informations concernant l'utilisation interdite de la porte**

- Il est interdit d'ouvrir la porte sans que les rails de guidage soient installés.
- Il est interdit d'encombrer la zone de mouvement du tablier. Avant de fermer ou ouvrir la porte, s'assurer que cette zone est libre de toute personne et de tout objet, et en particulier d'enfants.
- Aucune personne ou véhicule ne doit pas rester sous la porte ouverte.
- Il est interdit de rester ou passer, à pied ou en voiture, sous la porte en mouvement
- Il est interdit de se servir de la porte pour soulever des objets ou des personnes.
- Ne pas laisser les enfants jouer avec le matériel. Les émetteurs de commande doivent être rangés loin de la portée des enfants, aux endroits secs.
- Il est interdit de modifier ou d'enlever les éléments de la porte ! Cela pourrait causer une détérioration des pièces assurant la sécurité de son utilisation.
- [B000090] Il est interdit de monter des remplissages ou des éléments d'isolation thermique supplémentaires sans l'avoir consulté par écrit avec le fabricant. Les ressorts sont exactement adaptés au poids du battant et tout élément supplémentaire installé sur celui-ci peut entraîner la surcharge et le dysfonctionnement de la porte.
- [B000093] Les portes à entraînement électrique doivent être ouvertes conformément aux instructions du Manuel de Montage et d'Utilisation du système d'entraînement.
- [B000008] La porte doit être protégée contre les agents nocifs pour les peintures et les métaux, tels que : acides, alcalis, sels et autres produits agressifs. Lors des travaux de finition ou rénovation des locaux, protéger la porte contre tout éclat d'enduit, plâtre, peinture ou solvant.

[C000011] **15. INSTRUCTION D'UTILISATION DE LA PORTE**



- **Il est interdit d'encombrer la zone de mouvement du tablier.** La porte s'ouvre vers le haut. Aucun obstacle ne doit empêcher ses mouvements d'ouverture et de fermeture. Il est nécessaire de vérifier s'il n'y a pas d'objets, de personnes et surtout d'enfants sur le chemin du tablier pendant son mouvement.

Attention ! Danger d'accident

- [A000063] Il est interdit d'utiliser une porte en mauvais état, en particulier lorsqu'une altération est découverte au niveau des ressorts d'équilibrage, des éléments de suspension ou des dispositifs de sécurité.
- [B000007] Il est interdit d'utiliser la porte si un mauvais fonctionnement est constaté ou une détérioration d'une pièce quelconque est découverte. Il est alors nécessaire d'arrêter son exploitation et de contacter un point de service agréé.

[C000012] **Avant la première mise en marche de la porte, il est recommandé de vérifier si elle est correctement installée, conformément à l'Instruction d'installation et d'utilisation.**

La porte est installée correctement si son tablier se déplace avec fluidité et son maniement est facile.

[C000399] **Ouverture** - la porte doit être ouverte manuellement, en n'utilisant que les boutons ou les poignées d'extérieur ou d'intérieur destinées à cette fin. Une mauvaise manipulation peut causer un accident.

Fermeture - la porte doit être fermée manuellement en poussant vigoureusement la poignée du vantail, de sorte à provoquer l'enclenchement automatique des pènes derrière les éléments correspondants du bâti.

Verrouillage (de la serrure) de la porte - en standard, les portes sont équipées de serrures qui, dans le cas des portes non motorisées, peuvent être verrouillées en tournant la clé de 360 degrés dans le sens antihoraire.

Déverrouillage (de la serrure) de la porte – utilisez la clé ou le loquet de verrouillage :

- de l'extérieur – tournez la clé de 360 degrés dans le sens horaire,
- de l'intérieur - déplacez vers le haut le loquet de verrouillage situé à côté du cylindre de la serrure, tout en tournant la poignée vers la droite.

[C000088] **Portillon**

- Le portillon intégré ne peut être ouvert que par la poignée. Il est conseillé d'ouvrir et de fermer le portillon sans jamais utiliser la force ce qui pourrait avoir in effet négatif pour la durabilité, le fonctionnement et la sécurité de son utilisation.
- Le portillon intégré est installé et réglé correctement, si le battant se déplace sans difficulté et son maniement est facile.
- Des coups violents qui font „claquer“ le portillon sont à éviter, car cela pourrait endommager la peinture, briser les vitres, altérer le fonctionnement des ferrures, charnières et joints ou déformer le battant.
- Il est interdit de mettre des charges supplémentaire sur le portillon, de l'ouvrir par force et de laisser des objets dans la zone de mouvement du battant.

[C000089] Il est toujours conseillé d'installer un ferme-porte qui ne devrait servir qu'à fermer le portillon actionné en mode manuel.

[C000090] Avant toute mise en marche de la porte, il faut s'assurer si le portillon est bien fermé. Le portillon qui est installé dans une porte motorisée doit être équipé d'un interrupteur de fin de course qui empêche d'actionner la motorisation quand le portillon reste ouvert.

[C000091] Il est interdit de pousser le battant du portillon équipé d'un ferme-porte pour accélérer la fermeture, car cela pourrait dérégler ou endommager le ferme-porte.



[C000209] **Il est interdit de mettre des objets entre le battant et le dormant du portillon en mouvement. Attention ! Danger d'accident**

[C000050] **16. INSTRUCTION D'ENTRETIEN COURANT Opérations pouvant être exécutées par le Propriétaire ayant lu attentivement l'Instruction d'utilisation et d'entretien fournie avec la porte :**

[C000258] La surface externe du battant de la porte doit être nettoyée avec une éponge et de l'eau claire ou des produits pour le nettoyage des revêtements de peinture disponibles dans le commerce. N'utilisez pas de produits de nettoyage qui peuvent rayer la surface, d'outils tranchants ou de produits nettoyants à base de solvant nitro.

Au moins tous les 6 mois, effectuez un contrôle courant de la porte, à l'occasion duquel il faut :

- Lubrifier les charnières, les galets roulants, les ressorts et les rails de guidage, avant de commencer l'utilisation de la porte et pendant son exploitation, si c'est nécessaire.
- N'huez pas le cylindre de la serrure à goupilles. Utilisez du lubrifiant au besoin.
- Lors des contrôles, vérifiez les éléments de fixation de la porte au mur, les vis (boulons), les galets roulants ; en cas d'irrégularités, il est impératif de les remplacer, sinon la porte ne peut pas être utilisée.
- En cas de dysfonctionnement ou d'endommagement d'une des composantes de la porte, cessez de l'utiliser et contactez un centre de service autorisé.
- Vérifiez la fixation du dispositif d'entraînement.

[B000029] Pour nettoyer les vitres (hublots, profils vitrés en aluminium), se servir des chiffons secs, propres et mous, de préférence en coton. Les produits non abrasifs sont acceptés, par exemple liquide vaisselle à pH neutre, mais après un essai sur une petite surface du vitrage. Avant de nettoyer, rincer soigneusement la vitre (pas d'appareils à haute pression) pour éliminer les particules de saleté et de poussière qui peuvent causer des égratignures sur la surface du vitrage. Les produits avec de l'alcool ou des solvants sont également déconseillés (ils peuvent causer le matage des vitres).

[C000017] **Opérations pouvant être effectuées par une Personne compétente disposant des autorisations requises :**

[D000332] Au moins tous les 12 mois effectuer une visite technique professionnelle de la porte.

Dans le cadre des opérations d'entretien, il est prévu de :

- vérifier la tension des ressorts ; pour ce faire ouvrir la porte en soulevant le tablier à mi-hauteur, angle d'environ 45° ;
 - si le tablier retombe nettement, augmenter la tension des ressorts, voir fig. I.II;
 - si le tablier monte nettement, diminuer la tension des ressorts, voir fig. I.II.



Si les opérations ci-dessus ne sont pas faites, il existe le danger que le tablier chute brusquement et cause des blessures aux personnes ou des endommagements aux objets se trouvant à proximité.

- Vérifier l'état des caches de ressorts et, si nécessaire, les ajuster,
- Vérifier si les galets de roulement tournent bien pendant les mouvements d'ouverture et de fermeture du tablier. S'ils résistent ou ne tournent pas du tout, vérifier alors leur état, et en particulier leurs surfaces de roulement. Si nécessaire, remplacer les blocs entiers.
- Lors des visites techniques, vérifier les pièces mécaniques qui contribuent à la sécurité et au bon fonctionnement de la porte. En cas de présence de manquements quelconques, les éliminer impérativement et réparer ou remplacer les éléments ou pièces vicieux.
- Vérifier l'état des ressorts.

[D000370] **Actions nécessitant l'intervention d'un Installateur Professionnel :**

Toutes les réfections et les modifications effectuées sur la porte doivent être consultées avec le fabricant. Portée des travaux dans le cadre des contrôles périodiques de la porte, à réaliser par un service autorisé du fabricant.

- Identifier le type de la porte et son no de série.
- Vérifier le marquage de la porte et les étiquettes d'avertissement. Si nécessaire, les compléter.
- Vérifier les pièces d'assemblage : chevilles enfoncées dans le mur, vis de fixation des rails de guidage.
- Vérifier les ressorts et les éléments voisins ; les remplacer impérativement s'il y a des signes d'usure excessive.

- Après 12 ans d'exploitation ou 10 000 cycles (le nombre de cycles est à déterminer approximativement avec l'utilisateur de la porte), les ressorts doivent être impérativement remplacés.

Faire attention aux conditions d'exploitation de la porte. Si elles ne sont pas conformes aux exigences requises, il faut informer le propriétaire des conséquences possibles (par exemple une panne probable).

[C000235] Opérations à effectuer exclusivement par le service autorisé du fabricant :

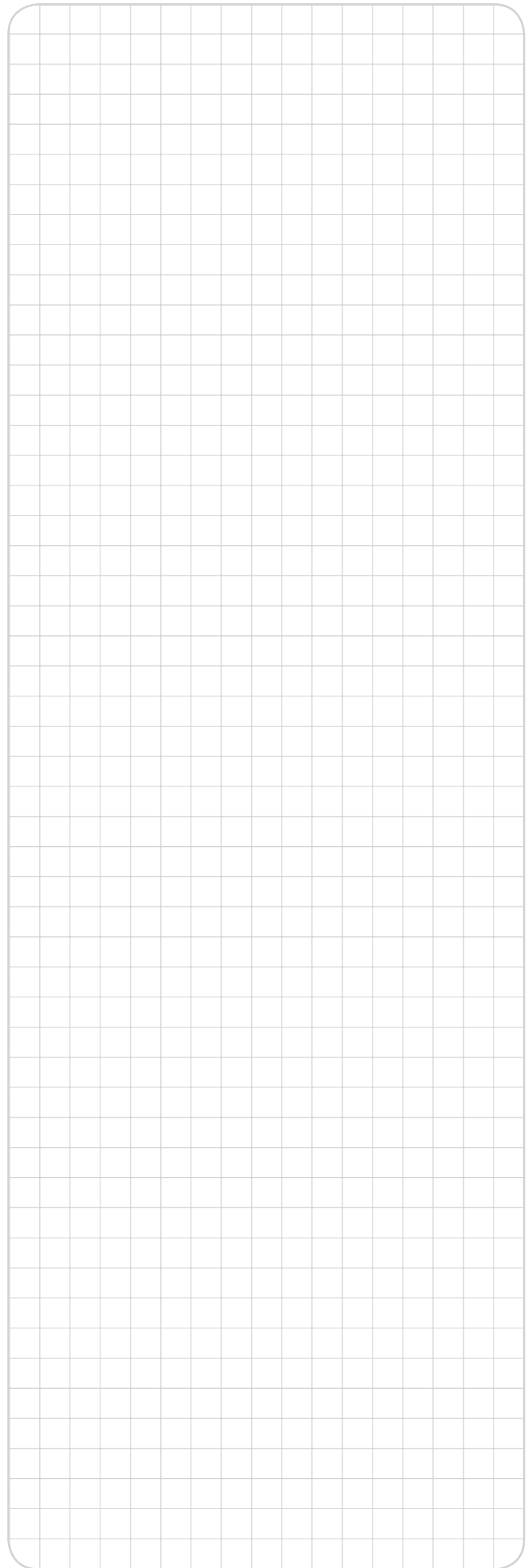
- toute modification de la porte ;
- remplacement des ressorts d'équilibrage ;
- réparations des éléments électriques ;
- réparations des éléments mécaniques.



Lors des travaux d'entretien ou visites techniques, couper l'alimentation de la motorisation. Les ressorts d'équilibrage ne peuvent être détendus que lorsque la porte est en position ouverte.

[A000011] Toutes les opérations doivent être effectuées conformément à la présente Instruction d'installation et d'utilisation de la porte. Transmettre au Propriétaire de la porte les remarques et recommandations sous forme écrite, en les inscrivant dans le cahier des rapports ou sur la carte de garantie. Une fois la visite technique finie, une inscription le confirmant est à inscrire dans le cahier des rapports ou sur la carte de garantie de la porte.

[A000068] **Le fabricant se réserve le droit de modifier à tout moment ses produits pour raisons d'évolution technologique, sans toutefois nuire à leur fonctionnalité et sans en avvertir la clientèle. Le dossier technique appartient au fabricant. Tout copiage, reproduction ou représentation du dossier, total ou partiel, sans autorisation écrite du propriétaire est interdit.**



[D000334] 17. QUESTION FRÉQUEMMENT POSÉES

Cause	Solution
La porte s'ouvre difficilement / se ferme violemment. Le tablier est mal équilibré (il descend ou monte tout seul).	<ul style="list-style-type: none"> • Vérifier la tension des ressorts : ouvrir la porte à mi-hauteur, le tablier devrait rester dans cette position. Si le tablier retombe nettement, il faut augmenter la tension des ressorts. Si le tablier monte nettement, il faut la diminuer.
Pendant le mouvement, la porte oppose une résistance excessive, le tablier ne s'ouvre pas de façon fluide.	<ul style="list-style-type: none"> • Vérifier si les galets tournent bien pendant les mouvements d'ouverture et fermeture du tablier. S'ils résistent ou ne tournent pas du tout, les régler de nouveau et graisser. • Vérifier s'il n'y a pas de saleté dans les rails de guidage pouvant causer un mauvais fonctionnement de la porte. • Vérifier le montage des rails de guidage (leur diagonale).
La serrure ne s'ouvre ou ne se ferme pas. Mauvais fonctionnement de la serrure.	<ul style="list-style-type: none"> • Graisser le cylindre de la serrure avec du lubrifiant au graphite. • Vérifier le fonctionnement du verrou et, s'il résiste, le graisser. • Vérifier si le câble entre la serrure et le verrou est correctement installé. • Vérifier le fonctionnement du blocage de la serrure.
Les verrous ne s'engrenent pas.	<ul style="list-style-type: none"> • Vérifier l'état des verrous et les graisser si besoin. • Vérifier la liaison entre les loquets et la serrure. Pour les portes munies d'une corde, augmenter sa tension, si nécessaire ; pour les portes munies des tiges, remplacer-les.
Les verrous ne s'engrenent pas dans une porte motorisée.	<ul style="list-style-type: none"> • Vérifier le positionnement de l'interrupteur de fin de course. • Vérifier si le microsélecteur est en position du mode porte basculante. • Vérifier la tension de la corde entre la serrure et la motorisation et la régler si besoin.

En cas de doutes quelconques ou si les causes persistent, n'hésitez pas à contacter un point de service agréé.

СОДЕРЖАНИЕ:

1. Общая информация	22
2. Термины и определения в соответствии с нормой	22
3. Описание символов	22
4. Рекомендации по безопасности	22
4.1. Применение и предназначение	23
5. Рекомендации по установке	23
6. Условия, необходимые для установки	23
7. Инструкция монтажа	23
7.1. Инструкция по монтажу	23
7.2. Ошибки при монтаже ворот	23
8. Дополнительные требования	23
9. Защита окружающей среды	24
10. Демонтаж ворот	24
11. Примечания по эксплуатации	24
12. Диапазон условий окружающей среды, для которых предназначены ворота	24
13. Инструкция по эксплуатации и текущему техобслуживанию	24
14. Важные информации и примечания	24
15. Инструкция по эксплуатации ворот	24
16. Инструкция по текущему техобслуживанию	25
17. Часто задаваемые вопросы	26

[A000001] 1. ОБЩАЯ ИНФОРМАЦИЯ

Монтаж и регулировку ворот может выполнить, по крайней мере, КОМПЕТЕНТНОЕ лицо.

[D000323] Подъемно-поворотные гаражные ворота предназначены для использования в частных односемейных домах.

[A000066] Данная Инструкция по монтажу является документацией, предназначенной для Профессиональных установщиков или Компетентных лиц. Она содержит информацию, необходимую для безопасной установки ворот.

Ворота и их отдельные компоненты должны быть установлены в соответствии с Инструкцией по монтажу и эксплуатации, поставляемой производителем.

Для установки ворот следует использовать только оригинальные, поставляемые с воротами крепежные элементы.

Прежде чем приступить к установке ворот, следует ознакомиться со всей инструкцией. Внимательно прочитайте данную инструкцию и соблюдайте указанные в ней рекомендации. Правильное функционирование ворот в значительной степени зависит от их правильной установки.

Инструкция включает в себя установку ворот со стандартным оснащением и элементами дополнительного оснащения. Ассортимент стандартного и дополнительного оснащения описан в коммерческом предложении.

[B000002] Вид и структура строительных материалов, к которым будут крепиться ворота, коренным образом определяет выбор крепежных элементов. Поставляемые в стандартном комплекте с воротами анкерные дюбеля предназначены для монтажа в твердые материалы с компактной структурой (например, бетон, полнотелый кирпич). При монтаже ворот к другим материалам необходимо заменить крепежный элемент на другой, подходящий для крепления в материалах, из которых сделаны стены и потолок. Для этой цели установщик должен воспользоваться указаниями по подборке крепежных элементов, поставляемых их заводом-изготовителем.

[B000028] Элементы остекления (окошка, застекленные алюминиевые профили) изготовлены из пластика. Натуральным свойством пластикового остекления является поглощение влаги из воздуха, что в переменчивых погодных условиях может привести к временному выделению и осадению пара внутри остекления. Запотевание остекления в алюминиевых профилях является естественным явлением и не подлежит рекламациям.

[A000003] Инструкция является руководством по монтажу нескольких типов ворот. Наглядные чертежи могут отличаться деталями исполнения. В случае необходимости эти детали показаны на отдельных чертежах.

Данная инструкция содержит необходимую информацию для обеспечения безопасной установки и эксплуатации, а также надлежащего технического обслуживания ворот.

Во время установки следует соблюдать правила техники безопасности и гигиены труда при выполнении монтажных и слесарных работ, выполняемых электроинструментом, в зависимости от используемой технологии установки. Кроме того, следует соблюдать действующие нормы, законы и соответствующую строительную документацию.

В ходе ремонтных работ ворота следует защитить от попадания штукатурки, цемента и гипса, которые могут оставить следы.

Инструкция по монтажу и эксплуатации является документацией, предназначенной для владельца ворот. После завершения установки инструкцию следует передать владельцу. Инструкцию следует предохранять от порчи и бережно хранить.

Если для установки ворот будут использоваться элементы, поставляемые разными производителями или поставщиками, установщик ворот считается их производителем в соответствии с европейским стандартом EN 13241-1.

Запрещается изменять или удалять какие-либо элементы ворот. Это может привести к повреждению деталей, обеспечивающих их безопасную эксплуатацию. Запрещается вносить какие-либо изменения в узлы ворот.

[C000229] Запрещается вносить какие-либо модификации в ворота, например, устанавливая теплоизоляцию полотна ворот.

[A000067] При установке привода следует поступать в соответствии с рекомендациями производителя привода и дополнительного оснащения. Для подключения привода необходимо использовать только оригинальные комплектующие производителя.

[B000052] Запрещается загромождать зону движения ворот. Поэтому на пути открывания или закрывания ворот не может быть никаких препятствий. Убедитесь, что во время движения ворот на их пути не находятся люди, в особенности дети, или предметы.

[A000037] 2. ТЕРМИНЫ И ОПРЕДЕЛЕНИЯ В СООТВЕТСТВИИ С НОРМОЙ

Описание предупреждающих знаков, используемых в инструкции:



Внимание! - знак обозначающий, что следует обратить внимание.



Информация - знак, обозначающий важную информацию.



Ссылка - это знак со ссылкой на конкретный пункт в данной инструкции по установке.

Профессиональный установщик - компетентное лицо или организация, которая предоставляет третьим лицам услуги, связанные с установкой ворот, в том числе по их улучшению (в соответствии с EN 12635).

Компетентное лицо - лицо, должным образом обученное, с квалификациями, вытекающими из знаний и практического опыта, и снабженное необходимыми инструкциями, позволяющими правильно и безопасно выполнить необходимую установку (в соответствии с EN 12635).

Владелец - физическое или юридическое лицо, которое имеет законное право распоряжаться воротами и несет ответственность за их эксплуатацию и использование (в соответствии с EN 12635).

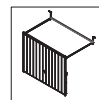
Технический паспорт - документ, который содержит основную информацию о конкретных воротах, и в котором отведено место для записей, касающихся проверок, испытаний, технического обслуживания, а также всех ремонтов или модификаций ворот (в соответствии с EN 12635).

[D000324] 3. ОПИСАНИЕ СИМВОЛОВ

So – ширина проёма

Ho – высота проёма

[B000088]



– ворота с перемычкой, соединяющей горизонтальные направляющие



– ворота без перемычки, соединяющей горизонтальные направляющие

[A000052]



- дополнительная опция



- ручные



- автоматические

[D000367] 4. ОПИСАНИЕ КОНСТРУКЦИИ И ТЕХНИЧЕСКИЕ ХАРАКТЕРИСТИКИ

Подъемно-поворотные ворота в стандарте являются гаражными воротами. Подробная информация относительно размеров и технических

характеристик представлена в прайс-листе. Конструкция ворот выполнена из стальных оцинкованных закрытых профилей, заполненных стальным оцинкованным профильным листом (трапеция Т-10) с полиэстровым покрытием. Ворота могут быть оборудованы проходными дверями, открываемыми наружу, а также элементами остекления. Ворота оснащаются комплектом пружин, обеспечивающих поднимание и опускание полотна ворот. Пружины оснащены предохранительными кожухами, защищающими от заземления, например, пальцев.

[D000326] 4.1. ПРИМЕНЕНИЕ И ПРЕДНАЗНАЧЕНИЕ

Подъемно-поворотные ворота предназначены для использования в частных домах и хозяйственных помещениях.

[A000005] 5. РЕКОМЕНДАЦИИ ПО УСТАНОВКЕ

Перед установкой и вводом в эксплуатацию ворот следует тщательно ознакомиться с указаниями, содержащимися в данной инструкции. Следует соблюдать рекомендации по установке и эксплуатации ворот, что позволит обеспечить их правильную сборку и долговременную и безотказную работу. Все действия, связанные с установкой ворот, должны быть выполнены в описанном порядке.

[A000006] 6. УСЛОВИЯ, НЕОБХОДИМЫЕ ДЛЯ УСТАНОВКИ

Ворота должны использоваться и эксплуатироваться по назначению. Выбор и использование ворот в строительстве необходимо осуществлять на основании технической документации объекта, подготовленной в соответствии с действующими нормами и стандартами.

[B000005] Ворота можно крепить к железобетонным и кирпичным стенам, а также стальным рамам. Помещение, предназначенное для установки ворот, должно быть полностью отделано (оштукатуренные стены, готовый пол); на стенах не может быть никаких изъянов. Помещение должно быть сухим, и в нем не должно быть вредных для лакокрасочных покрытий химических веществ.

Как боковые стены, так и фронтальная стена и притолока монтажного проема должны быть вертикальными и перпендикулярными по отношению к полу, а их отделка должна быть полностью завершена.



Запрещается устанавливать ворота в помещении, в котором будут выполняться отделочные работы (штукатурка, гипсование, шлифование, покраска и т.д.).

Пол в области нижнего уплотнителя должен быть ровным и выполнен таким образом, чтобы обеспечить свободный отток воды. Следует обеспечить соответствующую вентиляцию (высыхание) гаража.



Установка электропривода к воротам должна выполняться Профессиональным установщиком или Компетентным лицом в соответствии с Инструкцией по монтажу и эксплуатации привода.

[B000092] Пространство, необходимое для монтажа ворот, должно быть свободно от каких-либо труб, кабелей и т.д.



- [C000184] **Запрещается открывать ворота без установленных направляющих.**
- [C000230] **Запрещается переносить ворота горизонтально внешней обшивкой вниз.**

[B000089] Условия безопасной эксплуатации

- Способы выполнения электрической системы, а также ей защита от поражения электрическим током описаны в действующих законодательных нормах и правилах.
- Сеть электропитания привода следует оборудовать приборами отключения электроэнергии, устройством защитного отключения, а также защитой от перегрузки.
- Система электропитания ворот должна быть выполнена в виде отдельной электросети.
- В первую очередь необходимо провести обязательное заземление привода.
- Для монтажа привода необходимо использовать исключительно провода, поставленные производителем вместе приводом.
- Электрическая система должна быть выполнена в соответствии с нормами, действующими в данной стране.
- Все электрические работы может выполнять исключительно установщик с соответствующим допуском.

[D000368] 7. ИНСТРУКЦИЯ МОНТАЖА

Правильное функционирование ворот в значительной степени зависит от их правильной установки. Производитель рекомендует ав-

торизированные монтажные фирмы. Только правильная установка и техническое обслуживание согласно инструкции, проводимое компетентными фирмами или лицами, может гарантировать безопасную и соответствующую работу ворот.

[D000327] 7.1. ИНСТРУКЦИЯ ПО МОНТАЖУ

Рис.0.2. Перед началом монтажа необходимо проверить размеры (ширину и высоту) монтажного проема.

Рис.0.2. Перед началом монтажа необходимо проверить размеры (ширину и высоту) монтажного проема.

Рис.0.3. В случае необходимости отделать проем так, чтобы коробка входила в него с зазором, обеспечивающим выравнивание ворот в плоскости проема по горизонтали и вертикали.

Рис.1-3. На первом этапе установки выровнять ворота по вертикали и горизонтали. Проверить правильность прилегания полотна к коробке по всему периметру. В случае необходимости при выравнивании ворот допускается отклонение до 2 [мм] на 1 [м], при условии сохранения правильного положения полотна ворот относительно коробки. В случае значительного трения полотна ворот о коробку, необходимо проверить перпендикулярность направляющих относительно притолоки ворот (либо проверить диагональ направляющих). Если все условия соблюдены, допускается возможность изгиба плеча так, чтобы улучшить работу ворот.

Рис.4-15. Тщательно выполнить последующие действия по установке, руководствуясь нижеприведенными рисунками.

Рис.8-9. Проверить диагональ горизонтальных направляющих. Закрепить горизонтальные направляющие к потолку при помощи монтажных подвесок.

Рис.4,11,12. Провести установку ворот при помощи монтажных анкеров. Количество анкеров соответствует количеству монтажных пластин ворот.

Рис.13.1. По завершению монтажа выступающие части подвесок необходимо обрезать, края затупить и предохранить краской.

Рис.13.3. Закрепить горизонтальные направляющие к потолку при помощи двух комплектов монтажных подвесок.

Рис.16. Монтаж ворот со щеточным уплотнением. Произвести демонтаж порога ворот, а затем установить ворота при помощи монтажных анкеров. Монтаж ворот осуществляется непосредственно к полу.

Рис.1. После выполнения монтажа проверить правильность работы ворот согласно Инструкции по монтажу и эксплуатации. Если необходимо, провести необходимую регулировку. Проверить правильность натяжения пружин, и в случае необходимости провести их регулировку (регулировку ворот можно проводить только, если они полностью открыты и защищены от неконтролируемого закрытия). Для этого необходимо:

- открыть ворота, поднимая полотно до половины высоты (угол открытия полотна около 45°),
- если полотно ворот значительно опустится, необходимо увеличить натяжение пружин согласно рис. II - I.II
- если полотно ворот значительно поднимется, необходимо уменьшить натяжение пружин согласно рис. II - I.II.

[D000328] 7.2. ОШИБКИ ПРИ МОНТАЖЕ ВОРОТ

Существует риск, что при установке ворот будут допущены ошибки, которых можно легко избежать, соблюдая следующие требования:

- направляющие ворот имели диагональ и были параллельны по отношению друг к другу,
 - полотно ворот после закрытия имело диагональ,
 - боковые зазоры между коробкой и полотном ворот были одинаковые с обеих сторон,
 - все соединительные элементы были должным образом соединены.
- Несоблюдение вышеуказанных основных рекомендаций может затруднить правильную работу ворот, привести к их повреждению и, в последствии, к утрате гарантии.

[A000007] 8. ДОПОЛНИТЕЛЬНЫЕ ТРЕБОВАНИЯ

После установки убедитесь, что ворота снабжены заводской табличкой CE в соответствии со стандартом, а в случае ее отсутствия следует оборудовать ворота такой табличкой. После проверки правильности работы ворот следует передать владельцу Инструкцию по монтажу и установке и, если требуется, технический паспорт.

[A000008] 9. ЗАЩИТА ОКРУЖАЮЩЕЙ СРЕДЫ**Упаковка**

Элементы упаковки (картон, пластик и т.д.) относятся к категории отходов, пригодных для вторичной переработки. Прежде чем выбросить упаковку следует поступать в соответствии с местным (локальным) законодательством, касающимся утилизации данного материала.

Утилизация ворот

Изделие состоит из различных материалов. Большинство из используемых материалов пригодно для вторичной переработки. Прежде чем их выбросить, материалы следует рассортировать, а затем отвезти в пункт сбора вторичного сырья.



Перед утилизацией следует поступать в соответствии с местным (локальным) законодательством, касающимся утилизации данного материала.



[A000009] Помните! Возврат упаковочных материалов в обращение экономит ресурсы и уменьшает образование отходов.

[D000329] 10. ДЕМОНТАЖ ВОРОТ

1. Закрыть ворота и заблокировать запирающие устройства.
2. Демонтировать подвески и направляющие.
3. Вынуть ворота из проёма, обращая внимание на то, чтобы они располагались обшивкой вверх.
4. Перед транспортировкой предохранить ворота перед неконтролируемым открытием.

[D000330] 11. ПРИМЕЧАНИЯ ПО ЭКСПЛУАТАЦИИ

Основные условия правильной эксплуатации ворот, обеспечивающие их долгосрочную и безаварийную работу:

- обеспечить свободный отлив воды в области нижнего уплотнения,
- предохранять ворота перед веществами, вредными для лакокрасочного покрытия и металлов, включая коррозионные вещества, такие как кислоты, щелочи и соли,
- во время проведения работ по окончательной отделке помещения либо его ремонту необходимо предохранить ворота от повреждения при попадании на них штукатурки, краски и растворителей,
- пружины, балансирующие вес створки ворот, в стандарте рассчитаны на 10 000 циклов. После того как ворота выполняют указанное количество циклов, необходимо обязательно произвести замену пружин,
- ворота, управляемые электроприводом, необходимо открывать согласно инструкции, поставленной с электрооборудованием,
- если во время поднятия ворот замечено сильное сопротивление, необходимо проверить правильность установки ворот, а в случае выявления несоответствий – провести регулировку согласно инструкции монтажа,
- если ворота оснащены проходной дверью, запрещается поднимать створку ворот, если проходная дверь не закрыта на ключ.

[B000170] 12. ДИАПАЗОН УСЛОВИЙ ОКРУЖАЮЩЕЙ СРЕДЫ, ДЛЯ КОТОРЫХ ПРЕДНАЗНАЧЕНЫ ВОРОТА

- Температура - -30°C до $+50^{\circ}\text{C}$
- Относительная влажность - макс. 80% без конденсата
- Электромагнитные поля - не касается

Касается ворот, открываемых вручную. В случае ворот с приводом – диапазон условий окружающей среды указан в Инструкции по монтажу и эксплуатации привода.

[A000029] 13. ИНСТРУКЦИЯ ПО ЭКСПЛУАТАЦИИ И ТЕКУЩЕМУ ТЕХОБСЛУЖИВАНИЮ

Настоящая Инструкция по монтажу и эксплуатации предназначена для владельца ворот.

Внимательно прочитайте настоящую инструкцию и следуйте указанным в ней рекомендациям. Инструкция содержит необходимые информации, гарантирующие безопасную эксплуатацию и техническое и сервисное обслуживание ворот.

[A000010] 14. ВАЖНЫЕ ИНФОРМАЦИИ И ПРИМЕЧАНИЯ

- Бережно храните настоящую инструкцию.
- Все работы по обслуживанию ворот необходимо проводить в соответствии с Инструкцией по монтажу и эксплуатации ворот.
- При проведении каких-либо работ, связанных с техосмотром и ремонтом ворот, необходимо соблюдать правила техники безопасности, а также рекомендации, указанные в Инструкции по монтажу и эксплуатации ворот.

- Запрещается производить замену узлов и комплектующих ворот.

**[B000006] Информация, касающаяся запрещённого использования ворот**

- Запрещается открывать ворота без установленных направляющих.
- Запрещается загромождать пространство движения ворот. При закрывании или открывании ворот убедитесь, что в зоне движения нет людей, в особенности детей, и предметов.
- Запрещается находиться людям или оставлять машины или другие предметы в проёме открытых ворот.
- Запрещается находиться, проходить, перебежать или проезжать под движущимися воротами.
- Запрещается использовать ворота для поднимания предметов или людей.
- Не позволяйте детям играть с устройствами. Передатчики для управления воротами следует хранить вдали от детей. Передатчики следует хранить в сухом, не подверженном воздействию влажности месте.
- Запрещается модифицировать или удалять какие-либо элементы ворот! Это может привести к повреждению деталей, обеспечивающих их безопасную эксплуатацию.
- [B000090] Запрещается устанавливать дополнительное заполнение или теплоизоляцию полотна без письменного согласования с производителем. Пружины точно подобраны к весу полотна ворот и любые устанавливаемые на нем дополнительные элементы могут привести к перегрузке и неисправности ворот.
- [B000093] Ворота с электроприводом необходимо открывать согласно Инструкции по монтажу и эксплуатации привода.
- [B000008] Ворота следует защищать от воздействия вредных для лакокрасочных покрытий и металлов факторов, в частности от едких веществ, таких как кислоты, щелочи, соли. Ворота должны быть защищены от попадания штукатурки, красок и растворителей во время отделки или ремонта помещения.

[C000011] 15. ИНСТРУКЦИЯ ПО ЭКСПЛУАТАЦИИ ВОРОТ

- **Не загромождать зоны движения ворот.** Ворота открываются вертикально вверх. Поэтому на пути открывания или закрывания ворот не может быть никаких препятствий. Убедитесь, что во время движения ворот на их пути не находятся люди, в особенности дети, или предметы.
- **Внимание! Риск несчастного случая.**
- [A000063] Запрещается использовать неисправные ворота, в частности, запрещается использовать ворота, если наступили видимые повреждения балансирующих пружин, элементов подвески или узлов, ответственных за безопасную эксплуатацию ворот.
- [B000007] Запрещается использовать ворота в случае обнаружения неисправности или повреждения какого-либо узла ворот. В этом случае следует прекратить их эксплуатацию и обратиться в авторизованный сервисный центр.

[C000012] Перед первым открытием ворот следует проверить правильность их установки в соответствии с Инструкцией по монтажу и эксплуатации.

Ворота установлены правильно, если их створка/полотно двигается плавно, а их обслуживание не вызывает трудностей.

[C000399] Открывание - ворота следует открывать вручную только с помощью ручек или предназначенных для этого наружных или внутренних ручек-скоб. Неправильное обращение с воротами может привести к несчастному случаю.

Закрывание - ворота следует закрывать вручную, энергично толкнув полотно ворот с помощью ручки, что приведет к автоматическому защёлкиванию запирающих устройств за взаимодействующие элементы рамы.

Закрывание (замка) ворот - в стандарте ворота оснащены замком, который, в случае отсутствия привода, можно закрыть, поворачивая ключ на 360° против часовой стрелки.

Открывание (замка) ворот - используйте ключ или ригельное запирающее устройство:

- снаружи - повернуть ключ на 360° по часовой стрелке,

- с внутренней стороны - поднять ригельное запирающее устройство, расположенное рядом с вкладышем замка, одновременно повернув ручку вправо.

[C000088] Проходная дверь

- Проходную дверь можно открывать только вручную – для этого необходимо потянуть за ручку в направлении открывания дверей. Двери необходимо открывать и закрывать осторожно, без резких рывков, которые могут отрицательно повлиять на срок ее службы, функциональность и безопасность эксплуатации.
- Проходная дверь установлена и отрегулирована правильно, если створка движется плавно, а эксплуатация двери не вызывает трудностей.
- Избегать сильных ударов дверной створки о коробку, т.н. «хлопанья дверями», что может привести к повреждению лакокрасочного покрытия, появлению трещин в остеклении, а также ухудшению работы оковки, петель, уплотнений и деформации створки ворот.
- Запрещено дополнительно нагружать дверную створку, открывать двери с силой, а также оставлять какие-либо предметы в радиусе работы дверной створки.

[C000089] Каждый раз рекомендуется применять доводчик проходных дверей, который следует использовать исключительно для самостоятельного закрывания дверной створки после того, как она была открыта вручную.

[C000090] Каждый раз перед запуском ворот необходимо убедиться, что проходная дверь закрыта. Проходные двери, установленные в воротах с электроприводом, необходимо оборудовать концевым выключателем, который предотвратит включение привода, если дверь открыта.

[C000091] Запрещено прикладывать дополнительное усилие (кроме доводчика) для полного закрытия или увеличения скорости закрытия створки проходной двери, что приведет к разрегулированию и повреждению доводчика.



[C000209] **Запрещено располагать какие-либо предметы между открывающейся или закрывающейся створкой и коробкой двери.**
Внимание! Риск несчастного случая.

[C000050] 16. ИНСТРУКЦИЯ ПО ТЕКУЩЕМУ ТЕХОБСЛУЖИВАНИЮ Работы, которые может выполнить Владелец после подробного ознакомления с поставляемой с воротами Инструкцией по монтажу и эксплуатации ворот:

[C000258] Внешнюю поверхность створки ворот следует чистить с помощью губки и чистой воды или доступными в продаже чистящими средствами для лакокрасочных покрытий. Не используйте чистящие средства, которые могут поцарапать поверхность, острые инструменты и средства для очистки на основе нитрорастворителей.

По крайней мере один раз в 6 месяцев следует проводить текущие техосмотры ворот, во время которых следует:

- Смазать петельные соединения, ролики, пружины и направляющие смазкой перед началом эксплуатации ворот и, в случае необходимости, во время эксплуатации.
- Не следует смазывать маслом барабанный вкладыш замка. В случае необходимости вкладыш смазать смазкой.
- Во время техосмотров следует проверять элементы, крепящие ворота к стене, болты (шурупы), направляющие ролики. Выявленные неисправности следует немедленно устранить. Эксплуатация ворот до полного устранения неисправностей является недопустимой.
- В случае выявления каких-либо сбоев в работе или повреждений элементов ворот следует прекратить их эксплуатацию и обратиться в авторизованный сервисный центр.
- Проверить крепление привода.

[B000029] Для чистки элементов остекления (окошка, застекленные алюминиевые профили) следует использовать сухие, чистые и очень мягкие, желательно хлопчатобумажные ткани. Можно использовать не царапающие чистящие средства, такие как жидкость для мытья посуды с нейтральным pH, но ранее рекомендуется проверить его действие на небольшой площади остекления. Перед очисткой остекление необходимо тщательно промыть водой (не рекомендуется использование очистного оборудование высокого давления), чтобы удалить грязь и пыль, которые могут его поцарапать поверхность. Мы не рекомендуем использование чистящих средств, содержащих спирт или растворители (они могут привести к постоянному потускнению поверхности остекления).

[C000017] **Работы, которые могут быть выполнены Компетентным лицом с соответствующими допусками:**

[D000332] Сервисный техосмотр ворот должен проводиться не реже одного раза в 12 месяцев.

Стандартные операции по техническому обслуживанию включают в себя:

- Проверку натяжения пружин – открыть ворота, поднимая створку на половину высоты, угол наклона полотна около 45°:
 - если полотно сильно опадёт, следует увеличить натяжение пружин, отрегулировав их согласно рис. I.II,
 - если полотно сильно поднимется вверх, следует уменьшить натяжение пружин, отрегулировав их согласно рис. I.II.



В случае непроведения такой проверки существует опасность внезапного падения полотна ворот, вследствие чего могут серьезно пострадать люди или предметы.

- Проверка состояния крепления кожухов пружин и в случае необходимости проведение регулировки.
- Проверка вращения роликов во время открывания и закрывания створки ворот. Если ролики оказывают сопротивление или совсем не вращаются, следует проверить их состояние, особенно рабочую поверхность. В случае необходимости следует заменить весь узел.
- В рамках техосмотра следует проверить механические узлы, влияющие на безопасную и эффективную работу ворот. В случае выявления каких-либо дефектов, их следует безоговорочно устранить, а неисправные узлы и детали - отремонтировать или заменить.
- Проверка состояния пружин.

[D000370] Работы, требующие Профессионального установщика:

Любые изменения и модификацию ворот следует согласовать с производителем. Объем работ, охваченный периодическим техосмотром, осуществляемым авторизованным сервисом производителя.

- Идентификация типа ворот и серийного номера.
- Проверка маркировки ворот и наличия предупредительных наклеек - в случае их отсутствия приклеить новые.
- Проверка крепежных элементов ворот: дюбелей, крепящих ворота к стене, крепежных винтов направляющих.
- Проверка пружин и взаимодействующих с ними элементов. В случае явных признаков износа - заменить эти элементы.
- В случае эксплуатации ворот более 12 лет или после выполнения воротами более чем 10 000 циклов (примерное количество циклов следует определить на основании разговора с пользователем ворот) - необходимо обязательно заменить пружины.

Обратите внимание на условия, в которых эксплуатируются ворота, если эти условия отличаются от требуемых условий эксплуатации, следует проинформировать владельца о возможных последствиях (например, о возможности аварии).

[C000235] Работы, которые могут быть выполнены только авторизованным сервисным центром производителя:

- любые модификации ворот,
- замена пружин, балансирующих полотно ворот,
- работы по ремонту электрокомплектующих ворот.
- работы по ремонту комплектующих ворот.



При проведении каких-либо работ по техническому обслуживанию или осмотру ворот, необходимо отключить электропитание привода. Уменьшение натяжения балансирующих полотно ворот пружин можно выполнять только, если ворота находятся в открытом положении.

[A000011] Все работы выполнять в соответствии с данной Инструкцией по монтажу и эксплуатации ворот. Любые замечание и рекомендации необходимо довести до сведения владельца ворот в письменном виде, например, произвести соответствующую запись в техпаспорте или гарантийном талоне ворот, и передать их владельцу. После выполнения техосмотра подтвердить факт его проведения в техпаспорте или гарантийном талоне ворот.

[A000068] **Производитель оставляет за собой право вносить конструкционные изменения, связанные с техническим прогрессом, не меняющие функциональности изделия, без предварительного уведомления.**

Документация является собственностью производителя. Копирование, воспроизведение и использование полностью или частично без письменного разрешения владельца запрещено.

[D000334] 17. ЧАСТО ЗАДАВАЕМЫЕ ВОПРОСЫ

Причина	Решение
Ворота тяжело открываются/ резко закрываются, полотно ворот не сбалансировано (ворота неконтролируемо опускаются или поднимаются).	<ul style="list-style-type: none"> Проверить натяжение пружин: открыть ворота до половины высоты – ворота должны остаться в таком положении. Если полотно ворот значительно опустится, необходимо увеличить натяжение пружин. Если полотно значительно поднимется, натяжение пружин необходимо уменьшить.
Во время работы ворот наблюдается существенное сопротивление, полотно не открывается плавно.	<ul style="list-style-type: none"> Проверить, вращаются ли ролики во время открывания и закрывания полотна ворот. Если ролики оказывают сопротивление или не вращаются, необходимо их заново отрегулировать и смазать. Проверить, нет ли грязи в направляющих, ее наличие может повлиять на правильность работы ворот. Проверить правильность монтажа направляющих (диагональ).
Замок не открывается/ не закрывается, неправильная работа замка.	<ul style="list-style-type: none"> Смазать цилиндрический вкладыш графитной смазкой. Проверить работу запирающего устройства, в случае сопротивления – смазать. Проверить правильность монтажа элемента, соединяющего замок с запирающим устройством. Проверить работу защелки, блокирующей замок.
Ригели не защелкивают ворота.	<ul style="list-style-type: none"> Проверить работу ригелей и в случае необходимости смазать. Проверить соединение защелок с замком ворот. Если необходимо, в воротах, оборудованных тросом – увеличить натяжение троса, а в воротах, оснащенных тягой – заменить тягу.
Ригели не защелкивают ворота, в случае ворот, оборудованных приводом.	<ul style="list-style-type: none"> Проверить положение установки концевого выключателя. Проверить положение установки микропереключателя в режим подъемно-поворотных ворот. Проверить натяжение троса между замком и приводом – отрегулировать, если необходимо.

В случае возникновения любых вопросов, или если не удалось решить проблему – свяжитесь с авторизованным сервисным центром.

OBSAH:

1. Všeobecné informace	27
2. Pojmy a definice dle normy	27
3. Vysvětlení symbolů	27
4. Popis konstrukce a technické údaje	27
4.1. Použití a určení	27
5. Montážní doporučení	27
6. Žádané montážní podmínky	27
7. Návod k instalování	28
7.1. Pořadí instalace	28
7.2. Chyby montáže vrat	28
8. Doplňující požadavky	28
9. Ochrana životního prostředí	28
10. Demontáž vrat	28
11. Provozní poznámky	28
12. Rozsah podmínek prostředí, pro které jsou určena vrata	28
13. Návod k obsluze a údržbě	28
14. Důležité informace a upozornění	28
15. Návod k běžné údržbě	29
16. Návod k běžné údržbě	29
17. Nejčastější dotazy	31

[A000001] 1. VŠEOBECNÉ INFORMACE

Montáž a seřízení vrat může provést osoba aspoň KOMPETENTNÍ.

[D000323] Garážová výklopná vrata jsou určena k užívání v rodinné zástavbě.
[A000066] Tento návod k montáži je dokument určený pro odborné montéry nebo oprávněné osoby. Obsahuje potřebné informace zaručující bezpečnou montáž vrat.

Vrata a její samostatné díly musíte montovat podle návodu k montáži a obsluze, dodávanému výrobcem.

Pro montáž vrat používejte pouze originální upevňovací prvky dodané společně s vraty.

Před zahájením montážních prací si přečtěte celý návod. Přečtěte si prosím pozorně tento návod a dodržujte jeho pokyny. Správná funkce vrat závisí ve značné míře na jejich správné montáži.

Návod zahrnuje montáž vrat se standardní výbavou a prvky volitelného vybavení. Rozsah standardní a volitelné výbavy je uveden v obchodní nabídce.

[B000002] Druh a struktura stavebního materiálu, k němuž se budou upevňovat vrata zásadně rozhoduje o volbě upevňovacích prvků. Standardně dodané v soupravě spolu s vraty rozpěrné kolíky jsou určeny k upevnění v celistvých materiálech s kompaktní strukturou (např. beton, plná cihla). V případě montáže vrat k jiným materiálům je nutná záměna upevňovacích prvků za jiné, vhodné k upevňování v materiálech, z nichž jsou zhotoveny stěny a strop. Za tímto účelem musí provádějící montáž použít výrobcem dodané směrnice pro volbu upevňovacích prvků.

[B000028] Skla používaná v prosklených (okénka, prosklené hliníkové profily) jsou zhotoveny z umělé hmoty. Přírodní vlastnosti skel z umělých hmot je pohlcování vlhkosti ze vzduchu, což v proměnlivých povětrnostních podmínkách může způsobit přečhodné sražení a usazování páry uvnitř prosklení. Rosení profilů hliníkových skel je přírodní jev a nepodléhá reklamacním nárokům.

[B000003] Návod se týká montáže několika typů vrat. Názorné výkresy se mohou lišit ohledně detailů provedení. V nezbytných případech jsou tyto detaily ukázané na samostatných výkresech. Návod obsahuje nezbytné informace, zaručující bezpečnou montáž a užívání, a také správnou údržbu vrat.

Při montáži je třeba dodržet předpisy BOZP týkající se prací: montážních, zámečnických, prováděných elektronářadím závisle na použité montážní technologii, a je třeba zohlednit platné normy, předpisy a příslušnou dokumentaci stavby.

Během opravářských prací se musí vrata zabezpečit před odprýskáváním omítky, cementu, sádry, což může zanechat skvrny.

Návod k instalování a obsluze je dokumentace určená pro majitele vrat. Po ukončení montáže je třeba návod předat majiteli. Návod se musí řádně zabezpečit před znehodnocením a pečlivě uchovat.

Pokud budou k montáži vrat využité prvky dodané různými výrobci nebo dodavateli, osoba instalující vrata se považuje za jejich výrobce, v souladu s evropskou normou EN 13241-1.

Nesmí se upravovat nebo odstraňovat žádné prvky vrat. Toto může způsobit poškození dílů, zajišťujících jejich bezpečné užívání. Je nepřijatelná změna provozních souborů vrat.

[C000229] Je nepřijatelné provádění úprav vrat např. zateplení křídla vrat.

[A000067] Při montáži pohonu postupujte podle pokynů výrobce pohonu a dodatečného vybavení. Pro připojení pohonu používejte výhradně originální komponenty výrobce.

[B000052] Nesmí se zatarasit oblast pohybu vrat. Proto se na cestě otevíracích nebo zavíracích se vrat nesmí nacházet žádné překážky. Je třeba se přesvědčit, že během pohybu vrat se na jejich cestě nenachází osoby, zejména děti nebo předměty.

[A000037] 2. POJMY A DEFINICE DLE NORMY

Vysvětlení výstražných značek používaných v návodu:



Pozor! - značka znamenající upozornění.



Informace - značka znamenající důležitou informaci.



Odkaz - značka odkazující na určité místo v tomto návodu k instalování.

Odborný instalatér - kompetentní osoba nebo jednotka, nabízející třetí stranám služby v oboru instalování vrat, včetně jejich úpravy (dle EN 12635).

Kompetentní osoba - osoba vhodně zaškolená, s kvalifikacemi vyplývajícími ze znalostí a praktických zkušeností, a vybavená nezbytnými směrnicemi, umožňujícími správné a bezpečné provedení žádané instalace (dle EN 12635).

Majitel - fyzická nebo právní osoba, která vlastní právní titul k disponování vrata a je zodpovědná za jejich funkci a užívání (dle EN 12635).

Kniha hlášení - kniha, která obsahuje hlavní údaje týkající se určitých vrat, a ve které jsou místa, kde se mohou umístit zápisy z kontrol, zkoušek, údržby a veškerých oprav nebo modifikací vrat (dle EN 12635).

[D000324] 3. VYSVĚTLENÍ SYMBOLŮ

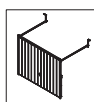
So - šířka otvoru

Ho - výška otvoru

[B000088]



- vrata s příčkou spojující horizontální vodící lišty



- vrata bez příčky spojující horizontální vodící lišty

[A000052]



- možnost volby



- ruční



- automatická

[D000367] 4. POPIS KONSTRUKCE A TECHNICKÉ ÚDAJE

Sklápací vrata jsou standardně vyráběna jako garážová vrata. Přesný rozsah rozměrů a technické údaje jsou uvedeny v ceníku. Konstrukce vrat je vyrobena z galvanizovaných ocelových uzavřených profilů, s výplní z galvanizovaného profilovaného ocelového plechu (trapez T-10), potaženou polyesterem. Vrata mohou být osazena průchozími dveřmi otvíracími se ven a mohou mít prosklené průhledy. Ve vratech je použit systém pružin na podporu zvedání a stahování křídla vrat, pružiny jsou zakryty v ochranných pouzdech např. proti skřipnutí prstů.

[D000326] 4.1. POUŽITÍ A URČENÍ

Garážová výklopná vrata jsou určena k užívání v soukromých budovách a nebytových místnostech.

[A000005] 5. MONTÁŽNÍ DOPORUČENÍ

Před montáží a spuštěním vrat je třeba se důkladně seznámit se směrnicemi obsaženými v tomto návodu. Je třeba dodržet doporučení pro montáž a užívání vrat což umožní jejich správnou montáž a zajistí dlouhodobé, bezporuchové užívání. Veškeré úkony související s montáží vrat se musí provést v popsáném pořadí.

[A000006] 6. ŽÁDANÉ MONTÁŽNÍ PODMÍNKY

Vrata se musí používat dle jejich určení. Volba a používání vrat ve stavebnictví musí být na základě technické dokumentace objektu, zpracované v souladu s platnými předpisy a normami.

[B000005] Vrata mohou být montovány k železobetonovým stěnám, zhotoveným z cihly nebo ocelových rámu. Místnost určená k montáži vrat musí být úplně dokončená (stěny omítnuté, dokončená podlaha), stěny nesmí projevovaly chyby provedení. Místnost musí být suchá a zbavená škodlivých pro lakýrnické nátěry chemických látek.

Boční stěny jako i čelní stěna a překlad montážního otvoru vrat musí být svislé a kolmé k podlaze a dokončené.



Zakazuje se montáž vrat v místnosti, ve které se budou provádět dokončovací práce (omítání, sádrování, broušení, natírání, apod.).

Podlaha v oblasti spodního těsnění musí být urovnaná a zhotovená tak, aby se zajistil volný odtok vody. Je třeba zajistit vhodnou ventilaci (schnutí) garáže.



Instalování elektrického pohonu vrat odborným instalatérem nebo kompetentní osobou, je třeba provést v souladu s Návodem k instalování a obsluze pohonu.

[B000092] Prostor potřebný pro montáž vrat musí být volný prost různých druhů rour kabelů a podobně.



- [C000184] **Zakazuje se otevírat křídlo vrat bez upevněných vodičích lišt.**
- [C000230] **Zakazuje se přenášet vrata vodorovně vnější obšívku dolů.**

[B000089] Bezpečnostní pravidla

- Způsoby provedení elektrického rozvodu a jeho zabezpečení proti úrazu elektrickým proudem jsou stanoveny podle platných norem a právních předpisů.
- Napájecí okruh pohonu musí být vybaven zařízením pro přerušování proudu, zabezpečením proti zbytkovému proudu a zabezpečením proti proudovému přeřetí.
- Zařízení pro napájení vrat musí být provedeno jako samostatný elektrický obvod.
- Povinné uzemnění musí být realizováno jako první.
- Pro montáž pohonu použijte kabely dodané
- výrobcem společně s pohonem.
- Elektrické zařízení musí být provedeno podle předpisů platných v dané zemi.
- Všechny elektrické práce smí provádět pouze pověřený montér.

[D000368] 7. NÁVOD K INSTALOVÁNÍ

Správná činnost vrat závisí ve značném stupni na správné montáži. Výrobce doporučuje autorizované montážní firmy. Jen správná montáž a údržba, prováděné podle návodu oprávněnými jednotkami nebo osobami, mohou zajistit bezpečnou činnost vrat, odpovídající jejich účelu.

[D000369] 7.1. POŘADÍ INSTALACE

- Obr.0.2. Před začátkem montáže je nezbytné zkontrolovat rozměry (šířku a výšku) montážního otvoru.
- Obr.0.3. V případě potřeby musíte udělat otvor tak, aby se do něj zárubeň vešla s vůlí umožňující horizontální a svislé vyrovnání vrat v rovině otvoru.
- Obr.1-3. V první fázi montáže musíte vrata nastavit do svislé polohy a vodorovně. Pak musíte zkontrolovat, jestli křídlo přiléhá k zárubni po celém obvodu. Pokud bude zapotřebí, povolená odchylka v nastavení vrat je - 2 [mm] na 1 [m] pod podmínkou zajištění správné součinnosti křídla se zárubní. V případě příliš silného tření křídla o zárubeň musíte zkontrolovat rovnoběžnost vodičích lišt s překladem vrat, (nebo zkontrolovat úhlopříčky vodičích lišt). Pokud jsou podmínky dodrženy smíte ohnout ramena tak, aby se zlepšila činnost vrat.
- Obr.4-15. Pečlivě dodržujte pořadí prací při montáži tak, jak je vyobrazeno na obrázcích.
- Obr.8-9. Zkontrolujte úhlopříčky horizontálních vodičích lišt. Vodičí lišty montujte na strop s pomocí montážních smyček.
- Obr.4,11,12. Vrata montujte s pomocí montážních kolíků. Počet kolíků odpovídá počtu montážních plechů vrat.
- Obr.13.1. Po montáži musíte přečnívající části stropních smyček seříznout a odhranit ostré okraje, vzniklou hranu přetřete barvou.
- Obr.13.3. Upevňování horizontálních vodičích lišt na strop s pomocí dvou kompletů montážních smyček.
- Obr.16. Montáž vrat s kartáčovým těsněním. Odmontujte práh vrat, a poté připevněte vrata s pomocí montážních kolíků. Vrata se montují přímo na podlahu.
- Obr.1. Po montáži zkontrolujte správnost funkce vrat podle návodu k montáži a obsluze a v případě potřeby proveďte potřebné seřízení. Zkontrolujte správné napnutí pružin a v případě potřeby proveďte jejich seřízení (seřízení vrat je možné provádět jen a pouze tehdy, když jsou vrata zcela otevřena a zabezpečena proti neočekávanému zavření), za tím účelem musíte:
- otevřít vrata zdvižením křídla do poloviny výšky (úhel křídla přibližně 45°),
 - pokud křídlo viditelně poklesne, zvyšte napnutí pružin seřizovacím podle obr. č. I.II,
 - pokud se křídlo viditelně zvedne, zmenšete napnutí pružin seřizovacím podle obr. č. I.II.



Matice plní svou funkci za podmínky jednorázového použití!

[D000328] 7.2. CHYBY MONTÁŽE VRAT

Existuje riziko, že při montáži vrat se mohou vyskytnout chyby, kterým se lehcce vyhneme dbajíc na to, aby:

- vodičí lišty vrat měly úhlopříčku a byly vůči sobě rovnoběžné
- křídlo vrat po zavření mělo úhlopříčku
- boční vůle mezi zárubní a křídlem vrat byly stejné na obou stranách
- veškeré spojovací prvky musí být správně utaženy

Nedodržení uvedených základních doporučení může způsobit problémy správné funkce vrat, poškození vrat nebo v důsledku ztrátu záruky.

[A000007] 8. DOPLŇUJÍCÍ POŽADAVKY

Po ukončení instalace je třeba ověřit, zda jsou vrata vybavená popisným štítkem CE v souladu s normou, a v případě zjištění jejího nedostatku vybavit vrata popisným štítkem. Po ověření správnosti funkce vrat je třeba předat majiteli Návod k instalování a obsluze vrat a knihu vrat pokud se vyžaduje.

[A000008] 9. OCHRANA ŽIVOTNÍHO PROSTŘEDÍ

Obaly

Prvky balení (lepenky, umělé hmoty apod.) jsou kvalifikovány jako odpady hodící se k opětovnému zpracování. Před vyhozením obalů je třeba se podřídit místním (lokálním) právním úpravám týkajícím se daného materiálu.

Šrotování zařízení

Výrobek tvoří více různých materiálů. Většina použitých materiálů se hodí k opětovnému zpracování. Před vyhozením tyto vytřídit, následně dodat do sběrný druhotných surovin.



Před šrotováním se podřídit místním (lokálním) právním úpravám týkajícím se daného materiálu.



[A000009] Pamatujte! Předání obalových materiálů do materiálového oběhu šetří surovinu a snižuje vznik odpadů.

[D000329] 10. DEMONTÁŽ VRAT

1. Zavřít vrata a zajistit západkou.
2. Demontovat závěsy a vodičí lišty.
3. Vytáhnout vrata z otvoru dbajíc aby byla obšívka směrem nahoru.
4. Před dopravou zajistit křídlo před nekontrolovatelným otevřením.

[D000330] 11. PROVOZNÍ POZNÁMKY

Základní podmínky správného provozu vrat zajišťujícího jejich dlouhodobé, bezporuchové užívání:

- v oblasti spodního těsnění zajistit volný odtok vody,
- chránit vrata před činiteli škodlivými pro lakýrnické nátěry a kovy, m.j. leptavými prostředky jako jsou kyseliny, louhy, soli,
- během dokončování místnosti nebo její opravy je třeba vrata zabezpečit před odprýskáváním omítky, nátěry a rozpouštědly,
- standardně jsou pružiny vyvažující hmotnost křídla vrat zvoleny pro 10 000 cyklů. Po realizaci vraty určitého počtu cyklů se musí pružiny bezpodmínečně vyměnit,
- vrata elektricky ovládaná se musí otevírat v souladu s návodem dodaným spolu s elektrickým vybavením,
- pokud se během zvedání vrat vyskytují nadměrné odpory je třeba kontrolovat správnost namontování vrat a v případě zjištění nesprávnosti provést seřízení podle návodu k montáži,
- pokud jsou u vrat namontovány průchozí dveře, zakazuje se zvedat vrata v případě, že průchozí dveře nejsou uzamčeny.

[B000170] 12. ROZSAH PODMÍNEK PROSTŘEDÍ, PRO KTERÉ JSOU URČENÁ VRATA

- Teplota --30° C až +50° C
- Relativní vlhkost - max. 80% nezkapalněná
- Elektromagnetická pole - netýká se

Týká se ručních vrat, v případě vrat s pohonem - rozsah podmínek prostředí je uveden v Návodu k instalování a obsluze pohonu.

[A000029] 13. NÁVOD K OBSLUZE A ÚDRŽBĚ

Tento Návod k instalování a obsluze je dokumentace určená pro majitele vrat. Pozorně přečtěte tento návod a dodržujte jeho doporučení. Návod obsahuje nezbytné informace zaručující bezpečné užívání a také obsluhu a údržbu vrat.

[A000010] 14. DŮLEŽITÉ INFORMACE A UPOZORNĚNÍ



- Pečlivě uchovejte tento návod.
- Veškeré úkony obsluhy provádějte v souladu s Návodem k instalování a obsluze vrat.

- Při veškerých pracích spojených s prohlídkami a opravami vrat je třeba dodržet předpisy BOZP a doporučení obsažená v Návodu k instalování a obsluze vrat.
- Je nepřipustná změna provozních souborů nebo dílů vrat.



[B000006] Informace týkající se zakázaného užívání vrat

- Zakazuje se otevírat vrata bez upevněných vodičů lišt.
- Zakazuje se zatarasit prostor pohybu vrat. Během zavírání nebo otevírání vrat přesvědčt se, že se v oblasti pohybu nenachází osoba nebo předměty, a hlavně děti.
- Zakazuje se zdržování se osob a ponechání vozidel nebo jiných předmětů v prostoru otevřených vrat.
- Zakazuje se zdržovat se, procházet, probíhat nebo projíždět pod pohybujícími se vraty.
- Zakazuje se užívat vrata ke zvedání předmětů nebo osob.
- Nepovolovat dětem hrát si zařízením. Vysílače ovládající vrata se musí uchovávat mimo dosah dětí. Vysílače uchovávat na suchých, nevlhnutých místech.
- Zakazuje se předělávat nebo odstraňovat jakékoliv prvky vrat! Toto může způsobit poškození dílů zajišťujících jejich bezpečné užívání.
- [B000090] Zakazuje se montovat jakékoli dodatečné výplně nebo tepelné izolace na křídlo bez písemného souhlasu od výrobce. Pružiny jsou přesně uzpůsobeny pro hmotnost křídla vrat a všechny dodatečné prvky, které se na něj namontují, mohou způsobit jejich přetížení a nesprávnou funkci vrat.
- [B000093] Vrata s elektrickým pohonem musíte otvírat podle návodu k montáži a obsluze pohonu.
- [B000008] Vrata se musí chránit před činiteli škodlivými pro lakýrnické nátěry a kovy, m.j. leptavými prostředky jako jsou kyseliny, louhy, soli. Vrata je třeba zabezpečit před odprýskáváním omítky, nátěry a rozpouštědly, během dokončování místnosti nebo její opravy.

[C000011] 15. NÁVOD K OBSLUZE VRAT



- **Nesmí se zatarasit oblast pohybu vrat.** Vrata se otevírají svisle vzhůru. Proto na cestě otevírajících se nebo zavírajících se vrat nesmí se nacházet žádné překážky. Je třeba se přesvědčit, že během pohybu vrat se na jejich cestě nenachází osoby, a hlavně děti nebo předměty.
- **Pozor! Nebezpečí nehody.**
- [A000063] Zakazuje se užívat nesprávně fungující vrata, zvláště je nepřipustný provoz vrat pokud se vyskytlo viditelné poškození vyvažovacích pružin, prvků zavěšení nebo provozních jednotek zodpovědných za bezpečný provoz vrat.
- [B000007] Zakazuje se užívat vrata v případě zjištění jakýchkoliv nesprávností funkce nebo poškození provozních souborů vrat. Je třeba přerušit jejich užívání a kontaktovat autorizovaný servis.

[C000012] Před prvním otevřením vrat je třeba kontrolovat správnost jejich namontování, v souladu s Návodem k instalování a obsluze.

Vrata jsou správně namontována pokud jejich křídlo / clona se pohybuje plynule a obsluha je jednoduchá.

[C000399] **Otvírání** - vrata se mají otvírat ručně pouze klikou nebo pomocí vnějších nebo vnitřních úchytlů. Nesprávná obsluha může způsobit nehodu.

Zavírání - vrata se mají zavírat ručně energickým přiláčením na kliku křídla. To způsobí samočinné zacvaknutí západek do odpovídajících protikusů na zárubni.

Zamykání (zámku) vrat - standardně jsou vrata vybavena zámkem, které je v případě, kdy vrata nemají pohon, možné zamknout otočením klíče o 360 stupňů proti směru hodinových ručiček.

Odemčení (zámku) vrat - musíte použít klíč nebo zajišťovací západku:

- zvenčí - otočte klíč o 360 stupňů ve směru hodinových ručiček,
- zevnitř - vytáhněte nahoru zajišťovací západku umístěnou vedle vložky zámku a současně otočte klikou doprava.

[C000088] Průchozí dveře

Průchozí dveře možno otevřít jen ručně potažením za kliku směrem otevírání se dveří. Dveře je třeba otevírat a zavírat jemně bez prudkých trhnutí, které mají negativní vliv na trvanlivost, funkčnost a bezpečnost užívání.

- Průchozí dveře jsou namontovány a seřizeny správně, když se křídlo pohybuje plynule a jejich obsluha je jednoduchá.
- Je třeba se vyhnout silným nárazům křídla dveří o rám tzn. „bouchání“, které může způsobit poškození nátěru, praskání prosklení, zhoršení funkce kování, závěšů, těsnění, ohnutí křídla dveří.
- Zakazuje se zatěžovat křídlo dveří zátěží navíc, násilně otevírat a ponechávat předměty v dosahu dveřního křídla.

[C000089] Vždy se k průchozím dveřím doporučuje použití samozavírací mechanismus dveří, který je třeba používat výhradně k samočinnému zavření křídla dveří po jejich předchozím ručním otevření.

[C000090] Vždy před spuštěním vrat je třeba se přesvědčit, že průchozí dveře jsou zavřeny. Průchozí dveře namontované u vrat s elektrickým pohonem musí být vybaveny koncovým vypínačem znemožňujícím spuštění pohonu pro případ otevřených dveří.

[C000091] Zakazuje se působení dodatečnou silou (jinou než automatu na zavírání dveří) za účelem dovení nebo urychlení zavření dveřního křídla, což vede k rozházení nebo poškození automatu na zavírání dveří.



[C000209] **Zakazuje se vkládat jakékoliv předměty mezi otevírající se nebo zavírající se křídlo, dveřní rám. Pozor! Nebezpečí nehody.**

[C000050] 16. NÁVOD K BĚŽNÉ ÚDRŽBĚ

Úkony, které může provést Majitel po důkladném seznámení se s návodem dodaným spolu s vraty:

[C000258] Venkovní plocha křídla vrat se má čistit houbou a čistou vodou nebo čisticími prostředky na lak, které lze zakoupit v obchodě. Nepoužívejte čisticí prostředky, které by mohly poškrábat povrch, ostré nástroje ani čisticí prostředky s rozpouštědly.

Nejméně jednou za 6 měsíců provádějte průběžné prohlídky vrat při kterým je nutné:

- Před spuštěním vrat a během používání v případě potřeby namazat závěsové spoje, válečky, pružiny a vodičí lišty.
- Nemažte cylindrickou vložku zámků. V případě potřeby namažte vazelinou.
- Při prohlídkách zkontrolujte prvky připevňující vrata ke zdi, šrouby (vruty), vodičí válečky, v případě zjištění jakýchkoli nepravidelností je neprodleně odstraňte, před jejich odstraněním je používání vrat zakázáno.
- V případě zjištění nepravidelností v činnosti nebo poškození komponent vrat, přerušete jejich používání a kontaktujte autorizovaný servis.
- Zkontrolujte upevnění pohonu.

[B000029] K čištění skel v prosklených (okénka, prosklené hliníkové profily) používat suché, čisté a velmi měkké, nejlépe bavlněné látky. Možno použít jemné čisticí prostředky bez drhnutí např. tekutý prostředek k mytí nádobí s neutrálním pH, avšak se doporučuje provést předtím zkoušku na malé ploše prosklení. Před čištěním se musí sklo důkladně opláchnout vodou (nedoporučuje se používat vysokotlaké čisticí zařízení) aby se odstranily částice znečištění a prachu, které mohou způsobit poškrábání plochy skla. Nedoporučuje se používat čisticí prostředky obsahující alkohol nebo rozpouštědla (působí trvalé matování povrchu skla).

[C000017] Úkony, které může provést kompetentní osoba mající vhodná oprávnění:

[D000332] Servisní prohlídka vrat se musí provádět aspoň jednou za 12 měsíců. V rámci standardních údržbářských úkonů je třeba:

- Kontrolovat napětí pružin - otevřít vrata zvedajíc křídlo z poloviny výše, úhel křídla cca 45°:
 - pokud křídlo výrazně klesne, zvýšit napětí pružin jejich seřazením, obr. I.II,
 - pokud se křídlo výrazně zvedne, snížit napětí pružin jejich seřazením, obr. I.II.



V případě neprovedení uvedených prací je riziko, že křídlo náhle klesne a způsobí zranění osob nebo poškození předmětů nacházejících se v jejich blízkosti.

- kontrolovat stav upevnění krytů pružin a v případě potřeby upravit,
- Kontrolovat, zda se jízdní kladky během otevírání a zavírání křídla vrat otáčejí. Pokud kladou odpor nebo se vůbec neotáčí, kontrolovat jejich stav, zejména jízdní plochy. V případě nutnosti vyměnit celé soubory.
- V rámci prohlídky kontrolovat mechanické provozní soubory ovlivňující bezpečnost a správnou funkci vrat. V případě zjištění jakýchkoli poruch se musí tyto bezpodmínečně odstranit a vadně fungující provozní soubory a díly opravit nebo vyměnit.
- Kontrolovat stav pružin.

[D000370] Práce vyžadující odborného montéra:

Všechny předělávky a modifikace vrat musíte dohodnout s výrobcem. Rozsah prací spadajících pod periodické prohlídky vrat, prováděné autorizovaným servisem výrobce.

- Identifikovat vrata typ vrat, tovární číslo.
- Kontrolovat označení vrat, výstražné nálepky, v případě jejich nedostatku doplnit.
- Kontrolovat spojovací díly použité u vrat: kolíky upevňující vrata na zdi, šrouby upevňující vodičí lišty.
- Kontrolovat pružiny a spolupracující prvky; v případě výskytu výrazných stop opotřebení bezpodmínečně tyto prvky vyměnit.

- V případě provozu nad 12 let nebo realizaci vraty nad 10 000 cyklů (počet cyklů se stanoví odhadem na základě hovoru s uživatelem vrat) - pružiny se musí bezpodmínečně vyměnit.
- Dbát na podmínky provozování vrat, pokud se tyto podmínky liší od žádaných provozních podmínek, informovat majitele o možných následcích (např. možnost výskytu poruchy).

[C000235] **Činnosti které smí provádět výhradně autorizovaný servis výrobce:**

- veškeré úpravy vrat,
- výměna pružin vyvažujících křídlo vrat,
- opravy elektrických provozních jednotek.
- opravy provozních souborů vrat.



Při všech údržbářských pracích a prohlídkách vrat odpojit napájení pohonu. Upevnění pružin vyvažujících hmotnost křídla vrat se může uvolnit výhradně tehdy, když jsou vrata v otevřené poloze.

[A000011] Veškeré úkony provést v souladu s tímto Návodem k instalování a obsluze vrat. Veškeré připomínky a doporučení poskytovat majiteli vrat v písemné formě, např. zaznamenat v knize hlášení vrat nebo záručním listu a doručit majiteli vrat. Po provedení prohlídky potvrdit její provedení zápisem do knihy hlášení nebo záručního listu vrat.

[A000068] **Výrobce si vyhrazuje právo provádět konstrukční změny vyplývající s technického pokroku, jež nemění funkčnost výrobku bez oznámení.**

Veškerá dokumentace je majetkem výrobce. Kopírování, rozmnožování a využívání vcelku nebo částečně bez písemného souhlasu majitele je zakázáno.

[D000334] 17. NEJČASTĚJŠÍ DOTAZY

Příčina	Řešení
Vrata se těžce otevírají /prudce zavírají, křídlo vrat je nevyvážené (vrata samočinně klesají nebo se otevírají).	<ul style="list-style-type: none"> Kontrolovat napětí pružin - otevřít vrata polovičatě, vrata musí zůstat v této poloze. Pokud vrata výrazně klesnou, musí se zvýšit napětí pružin. Pokud se vrata výrazně zvednou, musí se snížit napětí pružin.
Při fungování vrat se vyskytují velké odpory pohybu, křídlo se neotevírá plynule.	<ul style="list-style-type: none"> Kontrolovat, zda se kladky během otevírání a zavírání křídla vrat otáčejí. Pokud kladou odpor nebo se vůbec neotáčejí, musí se znova seřídít a namazat. Kontrolovat, zda se ve vodících lištách nevyskytují nečistoty ovlivňující chybnou funkci vrat. Kontrolovat správnou montáž vodících lišt (úhlopříčka).
Zámek se neotevírá/nezavírá, vyskytuje se chybná funkce zámku.	<ul style="list-style-type: none"> Namazat bubínkovou vložku grafitovým mazivem. Kontrolovat funkci závor, v případě výskytu odporů namazat. Kontrolovat správnost namontování spojení zámku se závorou. Kontrolovat funkci zástrčky blokující zámek.
Závory nezavírají vrat.	<ul style="list-style-type: none"> Kontrolovat funkci závor, v případě potřeby namazat. Kontrolovat spojení západek se zámek vrat. Pokud je taková nutnost, v případě vrat vybavených lankem zvětšit napnutí lanka, když jsou vrata vybavená táhly vyměnit táhla.
Závory nezavírají vrat v případě vrat vybavených pohonem.	<ul style="list-style-type: none"> Kontrolovat nastavení omezovače krajní polohy. Kontrolovat nastavení mikropřepínače do režimu funkce výklopných vrat. Kontrolovat napnutí lanka mezi zámek a pohonem, v případě potřeby seřídít.

V případě jakýchkoliv pochybností nebo trvání příčiny kontaktujte autorizované servisní středisko.

OBSAH:

1. Všeobecné informácie	32
2. Termíny a definície podľa normy	32
3. Vysvetlenia symbolov	32
4. Opis konštrukcie a technické údaje	32
4.1. Používanie a určenie	32
5. Montážne odporúčania	32
6. Požadované podmienky montáže	32
7. Návod na inštaláciu	33
7.1. Poradie inštalácie	33
7.2. Chyby montáže brán	33
8. Dodatočné požiadavky	33
9. Ochrana prostredia	33
10. Demontáž brány	33
11. Exploatačné poznámky	33
12. Rozsah podmienok prostredia, pre ktoré je určená brána	33
13. Inštrukcia obsluhy a konzervácie	33
14. Dôležité informácie a poznámky	34
15. Inštrukcia obsluhy brány	34
16. Inštrukcia bežných konzervácií	34
17. Najčastejšie kladené otázky	36

[A000001] 1. VŠEOBECNÉ INFORMÁCIE

Montáž a regulácie brány môže vykonať aspoň jedna kompetentná osoba.

[D000323] Garážová odchyľovacia/odsúvací brána je určená pre používanie v jednorodinnom zastavení.

[A000066] Tento Návod na inštaláciu je dokumentácia určená pre profesionálnych inštalátorov alebo odborne spôsobilé osoby. Obsahuje všetky potrebné informácie, ktoré zaručujú, že inštalácia brány bude bezpečná.

Bránu a jej jednotlivé komponenty je potrebné inštalovať podľa Návodu na inštaláciu a obsluhu dodaného výrobcu.

Na inštaláciu brány sa musia používať iba originálne upevňovacie prvky dodané spolu s bránou.

Pred zahájením montážnych prác je treba si preštudovať celý návod. Žiadame vás, aby ste si tento návod pozorne prečítali a riadili sa ním. Správny chod brány je v značnej miere podmienený jej správnou montážou.

Návod obsahuje pokyny pre montáž brány so štandardným vybavením a s prvkami voliteľného vybavenia. Rozsah štandardného a voliteľného vybavenia je popísaný v obchodnej ponuke.

[B000002] Druh a štruktúra stavebného materiálu, ku ktorému zásadným spôsobom budú upínané brány, rozhoduje o výbere upínajúcich elementov. Štandardne dodávané v súprave spolu s bránou, rozporové kolíky, sú určené pre upínanie v plných materiáloch o pevnej štruktúre (napr. betón, plná tehla). V prípade montáže brán k iným materiálom je nevyhnutná výmena upínajúcich elementov na iné, vhodné pre upínanie v takých materiáloch, z akých sú vykonané steny a strop. Za týmto účelom, osoba, ktorá montuje bránu musí dodržiavať pokyny výberu upínajúcich elementov dodaných cez výrobcu.

[B000028] Sklá používané v preskleneniach (okienka, hliníkové presklenené profily) sú vykonané z umelej hmoty. Prírodnou vlastnosťou skiel z umelej hmoty je absorpcia vlhkosti zo vzduchu, čo v premenlivých podmienkach počasia môže priviesť k prechodnému vyroneniu a osadeniu sa pary vnútri presklenia. Máčanie sa hliníkových profilov okien je prirodzeným javom a nepodlieha reklamácii.

[A000003] Inštrukcia sa týka montáže niekoľkých typov brán. Národné nákresy môžu sa líšiť podrobnosťami vykonania. V nevyhnutných prípadoch tieto podrobnosti sú znázornené v samostatných nákresoch.

Inštrukcia obsahuje nevyhnutné informácie, ktoré garantujú bezpečnú montáž a používanie ako aj správnu údržbu brány.

Pri montáži treba dodržiavať predpisy bezpečnosti týkajúce sa montážnych, zámočnických prác vedených elektronástrojmi v závislosti od používanej technológie montáže, zároveň treba vziať do úvahy záväzné normy, predpisy a dotyčnú dokumentáciu stavby.

Počas opravných prác bránu treba zabezpečiť pred roztreskami omietky, cementu, sadry, ktoré môžu ponechať škvrny.

Inštrukcia inštalovania a obsluhy je dokumentáciou určenou pre vlastníka brány. Po skončení montáže dokumentáciu treba odovzdať majiteľovi. Inštrukciu treba zabezpečiť pred zničením a starostlivo uschovávať.

Keď k montáži brány využité budú elementy dodané cez rôznych výrobcov alebo dodávateľov, osoba ktorá bránu inštaluje je pokladaná za jej výrobcu podľa európskej normy EN 13241-1.

Nesmie sa spracúvať buď odstraňovať žiadne elementy brány. Môže to spôsobiť poškodenie súčiastok brány, ktoré zaisťujú jej bezpečné používanie. Nepripustná je výmena podskupín brány.

[C000229] Nepripustné je vykonávanie spracúvaní brán npr. doteplenie krídla brány.

[A000067] Pri montáži pohonu postupujte podľa pokynov výrobcu pohonu a dopĺňujúceho vybavenia. Na zapojenie pohonu používajte výhradne originálne podsystémy výrobcu.

[B000052] Nezastavovať priestor pohybu brány. Brána sa otvára zvisle nahor. Preto na ceste otvárajúcej alebo zatvárajúcej sa brány nemôžu byť žiadne prekážky. Treba sa ubezpečiť, že počas pohybu brány na ceste nie sú žiadne osoby a zvlášť deti alebo predmety.

[A000037] 2. TERMÍNY A DEFINÍCIE PODĽA NORMY:

Vysvetlenia upozorňujúcich znakov používaných v inštrukcii:



Pozor! - znak označujúci obrátenie pozornosti.



Informácia - znak označujúci dôležitú informáciu.



Poznámka - znak odosielať k určenému bodu tejto inštrukcie inštalovania.

Profesionálny inštalátor - kompetentná osoba alebo jednotka, ktorá tretím stranám ponúka služby v oblasti inštalovania brán spolu s ich zlepšením (podľa EN 12635).

Kompetentná osoba - osoba preškolená, s kvalifikáciami, teoretickými znalosťami a praktickými skúsenosťami, ktorá má nevyhnutné inštrukcie umožňujúce správne a bezpečné predvedenie požadovaného inštalovania (podľa normy EN 12635).

Vlastník - fyzická alebo právna osoba, ktorá má právny titul k disponovaniu bránou a je zodpovedná za jej fungovanie a prevádzkovanie (podľa normy EN 12635).

Raportová kniha - kniha, ktorá obsahuje hlavné údaje týkajúce sa brány, a v ktorej sú miesta pre záznamy z kontroly, skúšok, konzervácie a všetkých opráv alebo modifikácií brány (podľa normy EN 12635).

[D000324] 3. VYSVETLENIA SYMBOLOV

So - šírka otvoru

Ho - výška otvoru

[B000088]



- brána s priečkou spájajúcou vodorovné vodiace lišty



- brána bez priečky spájajúcej vodorovné vodiace lišty

[A000052]



- opcia



- ručná



- automatická

[D000367] 4. OPIS KONŠTRUKCIE A TECHNICKÉ ÚDAJE

Výklopné brány sa štandardne vyrábajú ako garážové brány. Podrobný rozsah rozmerov a technické údaje sú uvedené v cenníku. Konštrukcia brány je vyrobená z uzavretých oceľových pozinkovaných profilov, výplň tvorí pozinkovaný, profilovaný oceľový plech (trapéz T-10) potiahnutý polyesterom. Brány môžu byť vybavené prechodovými dverami otváranými smerom von a môže sa použiť presklenie. U brán je použitý systém pružín uľahčujúcich zdvíhanie a spúšťanie krídla brány, pružiny sú uzavreté v puzdách chrániacich proti privretiu napr. prstov.

[D000326] 4.1. POUŽÍVANIE A URČENIE

Garážové odchyľovacie brány sú určené pre používanie v súkromných domoch a hospodárskych miestnostiach.

[A000005] 5. MONTÁŽNE ODPORÚČANIA

Pred montážou a uvedením brány do pohybu treba sa oboznámiť s pokynmi, ktoré sú v tejto inštrukcii. Dodržiavať odporúčania montáže a používania brány čo umožní správnu montáž a uistí jej dlhodobé, bezhavarijné používanie. Všetky úkony súvisiace s montážou brány treba vykonať v opísanom poradí.

[A000006] 6. POŽADOVANÉ PODMIENKY MONTÁŽE

Brána má byť použitá a používaná v zhode s jej určením. Výber a používanie brán v stavebníctve má byť na základe technickej dokumentácie objektu, zhotovenej v súlade so záväznými predpismi a normami.

[B000005] Brány môžu byť montované k oceľobetónovým stenám, ktoré sú vykonané z tehly alebo oceľového rámu. Miestnosť určená pre montáž brán má

byť úplne dokončená (na stenách omietka, dokončená podlaha) steny nemôžu ukázať chýb vykonania. Miestnosť má byť suchá a pre lakované povlaky voľná od chemických látok.

Zároveň bočné steny ako aj čelná stena a nadpražie montážneho otvoru brány musia byť zvislé a kolmé k dlážke a zároveň dokončené.



Zabraňuje sa montáž brány v miestnosti, v ktorej vykonávané budú dokončovacie práce (omietanie, sadrovanie, brúsenie, maľovanie a podobne).

Dlážka v oblasti dolnej upchávky má byť vyrovnaná tak, aby uistil slobodný odtok vody. Zabezpečiť treba vhodnú ventiláciu (schnutie) garáže.



Inštalovanie elektrického pohonu brány cez profesionálneho inštalátora alebo kompetentnú osobu treba vykonať podľa Inštrukcie inštalovania a obsluhy pohonu.

[B000092] Priestor potrebný pre montáž brány musí byť voľný od všetkých druhov rúr, vodičov, atď.



- [C000184] **Zabraňuje sa otvárania krídla brány bez upnutia vedení.**
- [C000230] **Zabraňuje sa prenášania brány vodorovne vonkajším pokrytím nadol.**

[B000089] Bezpečnostné predpisy

- Postup pri zhotovovaní elektrickej inštalácie a spôsob ochrany pred úrazom elektrinou je stanovený záväznými normami a právnymi predpismi.
- Obvod napájania pohonu musí byť vybavený ochranným prístrojom so samočinným odpojením napájania pri poruche, diferenciálnym prúdovým chráničom a ochranou proti preťaženiu.
- Inštalácia napájania brány musí byť zhotovená ako samostatný elektrický obvod.
- Uzemnenie pohonu je povinné a musí sa zhotoviť ako prvé.
- Na montáž pohonu sa musia použiť vodiče dodané výrobcom spolu s pohonom.
- Elektrická inštalácia musí byť zhotovená podľa predpisov platných v danom štáte.
- Všetky práce na elektrickej inštalácii smie vykonávať iba oprávnený elektromontér.

[D000368] 7. NÁVOD NA INŠTALÁCIU

Správny chod brány je v značnej miere podmienený jej správnou montážou. Výrobca odporúča obrátiť sa na autorizované montážne firmy. Iba správna inštalácia a údržba vykonaná podľa návodu kompetentnými subjektmi alebo osobami môže zaisťovať bezpečné prevádzkovanie brány v súlade s jej určením.

[D000369] 7.1. PORADIE INŠTALÁCIE

Obr. 0.2. Pred zahájením inštalácie je potrebné skontrolovať rozmery (šírku a výšku) stavebného otvoru.

Obr. 0.3. V prípade potreby je nutné otvor upraviť tak, aby rám brány mal voľu umožňujúcu vodorovnú a zvislú nivelizáciu v rovne otvoru.

Obr. 1-3. V prvej fáze inštalácie je potrebné bránu nastaviť do vodorovnej polohy.

Ďalej je potrebné skontrolovať, či krídlo správne prilieha k rámu po celom obvode. V prípade potreby je prípustná odchýlka polohy brány - do 2 [mm] na 1 [m] pod podmienkou, že medzi krídlom a rámom nebude dochádzať ku kolízii. V prípade príliš silného oterania krídla o rám je potrebné skontrolovať kolmosť vodiacich líšt k nadpražiu brány (alebo skontrolovať uhlopriečky vodiacich líšt). Ak sú tieto podmienky dodržané, je prípustné prehnúť ramená tak, aby sa pohyb brány zlepšil.

Obr. 4-15. Je nutné starostlivo vykonať ďalšie inštalčné úkony znázornené na obrázkoch.

Obr. 8-9. Skontrolujte uhlopriečky vodorovných vodiacich líšt. Namontujte vodiace lišty na strop pomocou montážnych závesov.

Obr. 4, 11, 12. Namontujte bránu. K tomu použite montážne rozperné kotvy. Počet kotiev je prispôbený počtu montážnych plechov brány.

Obr. 13.1. Po montáži je potrebné prečnievajúce časti závesov odrezáť, rezné hrany zraziť a vzniknutý rez ošetriť farbou.

Obr. 13.3. Upevnenie vodorovných vodiacich líšt na strop pomocou dvoch kompletov montážnych závesov.

Obr. 16. Montáž brány so štetinovým tesnením. Demontujte prah brány a potom bránu pripevnite pomocou montážnych rozperných kotiev. Brána montovaná priamo na podklad.

Obr. I. Po dokončení inštalácie je potrebné skontrolovať správnosť fungovania brány podľa Návodu na inštaláciu a obsluhu a v prípade potreby bránu vyregulovať. Skontrolujte, či sú pružiny správne napnuté a v prípade potreby ich napnutie zoradte (vyregulovanie brány je

možné uskutočniť iba a výhradne vtedy, keď je brána úplne otvorená a zabezpečená proti nekontrolovateľnému zatvoreniu). K tomuto účelu je potrebné:

- otvoríť bránu zdvihnutím krídla do polovice výšky (uhol krídla asi 45°),
- ak krídlo badateľne poklesne, zvýšte napnutie pružín ich zoradením, obr. č. I, II,
- ak sa krídlo badateľne zdvihne, znížte napnutie pružín ich zoradením, obr. č. I, II.

[D000328] 7.2. CHYBY MONTÁŽE BRÁN

Existuje nebezpečenstvo, že pri montáži brán môžu sa vyskytnúť chyby, ktoré ľahko možno uniknúť dávajúc pozor aby:

- vedenia brány mali uhlopriečku a boli rovnobežné voči sebe,
- po zatvorení krídlo brány malo uhlopriečku, bočné medzery medzi zárubňou a krídlom brány boli rovné po oboch stranách,
- všetky spojkové elementy musia byť správne dotiahnutie.

Nerešpektovanie vyššie uvedených základných odporúčaní môže spôsobiť problémy v správnom fungovaní brány, poškodenie brány alebo stratu záruky.

[A000007] 8. DODATOČNÉ POŽIADAVKY

Po skončení inštalácie treba overiť či brána má štítok CE v súlade s normou, ak nie tak treba štítok zadovážiť. Po overení správnosti fungovania brány, vlastníkom treba odovzdať Inštrukciu inštalovania a obsluhy brány ako aj knihu brány ak je vyžadovaná.

[A000008] 9. OCHRANA PROSTREDIA

Balenia

Elementy balení (kartóny, umelé homoty) sú kvalifikované ako odpady pre opätovné spracúvanie. Pred vyhodnením balení prispôbiv sa k miestnym (lokálnym) právnym reguláciám, ktoré sa týkajú určeného materiálu.

Šrotovanie zariadenia

Výrobok sa skladá z rôznych materiálov. Väčšina z použitých materiálov sa hodí na opätovné spracúvanie. Pred vyhodnením urobíť segregáciu a následne dodať do strediska zberu druhotných surovín.



Pred šrotovaním prispôbiv sa k miestnym (lokálnym) právnym reguláciám, ktoré sa týkajú určeného materiálu.



[A000009] Pamätajte! Vrátanie baleniových materiálov k obehu usporuje suroviny a znižuje vzniknutie odpadov.

[D000329] 10. DEMONTÁŽ BRÁNY

1. Zamknúť bránu.
2. Zdemontovať slučky a vedenia.
3. Vytiahnuť bránu z otvoru dávajúc pozor, aby pokrytím bola hore.
4. Pred dopravou zabezpečiť krídlo pred nekontrolovaným otvorením.

[D000330] 11. EXPLOATAČNÉ POZNÁMKY

- Základné podmienky správnej exploatácie brány zabezpečujúcej jej dlhodobú prácu, prácu bez havárie:
- v oblasti dolnej upchávky uistiť voľný odtok vody,
- chrániť bránu pred škodlivými faktormi pre lakované povlaky ako aj kovy, žieravými prostriedkami takými ako kyseliny, lúhy, sole,
- počas dokončovacích prác miestnosti alebo jej opravy bránu treba zabezpečiť pred roztraskmi omietky, farbami a rozpúšťadlami,
- pružiny vyvážajúce ťažisko krídla brány sú vybrané na 10 000 cyklusov. Po vykonaní cez bránu určený počet cyklusov pružiny bezohľadne vymeniť,
- brány riadené elektricky treba otvárať podľa inštrukcie dodanej spolu s elektrickým vybavením,
- keď počas zdvíhania brány sú priveľké opory, tak treba overiť správnosť vyregulovania závesov a v prípade zistenia nepravidielnosti predviesť ich reguláciu podľa inštrukcie montáže,
- keď v bráne sú namontované integrované dvere zabraňuje sa zdvíhanie brány v prípade keď integrované dvere nie sú zatvorené na kľúč.

[B000170] 12. ROZSAH PODMIENOK PROSTREDIA, PRE KTORÉ JE URČENÁ BRÁNA

- teplota - - 30 °C až 50 °C
- pomerná vlhkosť - max. 80% nezhustená
- elektromagnetické polia - netýka sa

Netýka sa ručných brán, v prípade brán s pohonom-rozsah podmienok prostredia sa nachádza v Inštrukcii inštalovania a obsluhy pohonu.

[A000029] 13. INŠTRUKCIA OBSLUHY A KONZERVÁCIE

Táto Inštrukcia inštalovania a obsluhy je dokumentáciou určenou pre vlastníka brány. prosím pozorne prečítať túto inštrukciu a dodržiavať jej odporúčania.

Obsahuje ona nevyhnutné informácie, ktoré garantujú bezpečné používanie brány ako aj obsluhu a konzerváciu brány.

[A000010] 14. DÔLEŽITÉ INFORMÁCIE A POZNÁMKY



- Prosím starostlivo usvhovávať túto inštrukciu.
- Všetky úkony obsluhy vykonávať podľa Inštrukcie inštalovania a obsluhy brány.
- Pri všetkých prácach súvisiacich s prehliadkami a opravami brány dodržiavať predpisy bezpečnosti ako aj odporúčania, ktoré sú v Inštrukcii inštalovania a obsluhy brány.
- Je neprípustná výmena podskupín alebo súčiastok brány.



[B000006] Informácie týkajúce sa zakázaného používania brán

- Zabráňuje sa otvárania brány bez upnutých vedení.
- Zabráňuje sa zastavovania priestoru pohybu brány. Počas otvárania alebo zatvárania brány uistiť sa, že v stréfe pohybu nie sú osoby alebo predmety a zvlášť detí.
- Zabráňuje sa zdržiavania osôb ako aj nechávania vozidiel alebo iných predmetov vo svetle otvorenej brány.
- Zabráňuje sa zdržiavania, prechádzania pod pohybujúcou sa bránou.
- Zabráňuje sa používania krídla brány pre zdvíhanie predmetov alebo osôb.
- Deťom nedovoľovať hrať sa zariadeniami. Vysielače riadiace bránou majú byť ďalej od detí. Vysielače majú byť uschovávané v suchých miestach.
- Zabráňuje sa spracúvať alebo odstraňovať akékoľvek elementy brány môže to spôsobiť poškodenie častí zabezpečujúcich jej bezpečné používanie.
- [B000090] Zakazuje sa montovať na krídlo akékoľvek dodatočné výplne alebo tepelne izolácie bez písomnej dohody s výrobcou. Pružiny sú presne prispôbené hmotnosti krídla brány a akékoľvek dodatočné prvky namontované na krídlo môžu vyvolať jeho preťaženie a nesprávne fungovanie brány.
- [B000093] Brány na elektrický pohon je potrebné otvárať podľa Návodu na inštaláciu a obsluhu pohonu.
- [B000008] Bránu chrániť pred faktormi škodlivými pre lakované povlaky ako aj kovy npr. žieravinami ako kyseliny, lúhy, sole. Brány zabezpečiť pred roztraskmi omietky, farbami, rozpúšťadlami, počas dokončovacích prác miestnosti alebo opravy.

[C000011] 15. INŠTRUKCIA OBSLUHY BRÁNY



- **Nezastavovať priestor pohybu brány.** Brána sa otvára zvisle nahor. Preto na ceste otvárajúcej sa alebo zatvárajúcej sa brány nemôžu byť žiadne prekážky. Treba sa ubezpečiť, že počas pohybu brány na ceste nie sú žiadne osoby a zvlášť deti alebo predmety.
- **Pozor! Nebezpečenstvo nehody.**
- [A000063] Zabráňuje sa používania neúčinnnej brány, neprípustná je exploatacia brány keď vzniklo viditeľné poškodenie, vyvážajúcich pružín, elementov zavesenia a podskupín zodpovedných za bezpečnú exploataciu brány.
- [B000007] Zabráňuje sa používanie brány v prípade zistenia akýchkoľvek poškodení podskupín brány. Používanie treba prerušiť a skontaktovať sa s autorizovaným servisom.

[C000012] Pred prvým otvorením brány overiť treba správnosť jej namontovania v súlade s inštrukciou inštalovania a obsluhy.

Brána je namontovaná správne vtedy keď jej krídlo /opona sa plynule pohybuje a jej obsluha je ľahká.

[C000399] **Otváranie** - brána by sa mala otvárať ručne pomocou vonkajších alebo vnútorných kľúčok alebo madiel pre to určených. Nesprávna manipulácia môže spôsobiť nehodu.

Zatváranie - brány sa majú zatvárať ručne energickým pritlačením na kľučku krídla. To spôsobí samočinné zacvaknutie západky do príslušných protikousov na zárubni.

Uzamknutie (zámku) brány - štandardne sú brány vybavené zámkami, ktoré v prípade, keď brány nemajú pohon je možné zamknúť otočením kľúča o 360 stupňov proti smeru hodinových ručičiek.

Odomknutie (zámku) vráť - musíte použiť kľúč alebo zaisťovacej západku:

- zvonku - otočte kľúč o 360 stupňov v smere hodinových ručičiek,
- zvnútra - vytiahnite hore zaisťovacie západku umiestnenú vedľa vložky zámku a súčasne otočte kľučkou doprava.

[C000088] Integrované dvere

- Integrované dvere možno otvárať iba ručne cez potiahnutie za kľučku smerom otvárania dverí. Dvere treba otvárať a zatvárať mierne bez náhlych mýkaní, ktoré majú negatívny vplyv na stálosť, funkčnosť a bezpečnosť používania.
- Integrované dvere sú namontované a vyregulované správne vtedy, keď krídlo sa plynule pohybuje ako aj ich obsluha je ľahká.
- Treba strážiť od silných úderov krídla dverí o rám tzn. „uderanie“, ktoré môže spôsobiť poškodenie maliarskeho povlaku, puknutia presklenení, zhoršenie fungovania kovaní, závesov, tesnení, ohnutia krídla dverí.
- Zabráňuje sa zaťažovať krídla dverí dodatočnými tiažami, silových otváraní ako aj nechávania predmetov v dosahu práce krídla dverí.

[C000089] Zakaždým k integrovaným dverám sa odporúča používať „samozatvárač“, ktorý treba používať iba pre zatvorenie krídla dverí po ich predošlom ručnom otvorení.

[C000090] Zakaždým pred uvedením brány do pohybu treba sa uistiť, že integrované dvere sú zatvorené. Integrované dvere namontované v bráne s elektrickým pohonom musia byť vybavené v okrajový vypínač znemožňujúci uvedenie do pohybu pohonu v prípade otvorených dverí.

[C000091] Zabráňuje sa prikladania dodatočnej sily (inej ako samozatvárač) za účelom domknutia alebo urýchlenia zamknutia krídla dverí, čo vedie k rozregulovaniu alebo poškodeniu samozatvárača.



[C000209] **Zabráňuje sa vkladania akýchkoľvek predmetov medzi otvárajúce sa alebo zatvárajúce sa krídlo, ráma dverí.**

Pozor! Nebezpečenstvo nehody.

[C000050] 16. INŠTRUKCIA BEŽNÝCH KONZERVÁCIÍ

Úkony možné pre vykonanie cez Majiteľa po dôkladnom oboznámení sa s inštrukciou dodanou spolu s bránou:

[C000258] Vonkajšie plochy krídla brány sa môžu čistiť špongiou a čistou vodou alebo prípravkami na čistenie lakovaných plôch, ktoré sú dostupné v obchodoch. Nesmú sa používať čistiace prostriedky, ktoré by mohli poškrabať povrch, ostré nástroje alebo čistiace prípravky na báze nitro riedidla.

Najmenej raz za 6 mesiacov je potrebné uskutočňovať bežné prehliadky brány, v rámci ktorých je nutné:

- Závesy, vodiace valčeky, pružiny a vodiace lišty namazať tukom, a to pred tým, než sa brána začne používať. Počas používania brány mazať v prípade potreby.
- Cylindrické vložky zámku sa nesmú mazať olejom. V prípade potreby sa smú namazať tukom.
- V priebehu prehliadok je treba skontrolovať prvky, ktoré upevňujú bránu ku stene, skrutky (závitky) a nábehové valčeky. V prípade zistenia akýchkoľvek nedostatkov je potrebné ich okamžite odstrániť. Do doby ich odstránenia je používanie brány zakázané.
- V prípade zistenia akýchkoľvek nedostatkov v prevádzke brány alebo ak dôjde k poškodeniu podsystémov brány, je nevyhnutné používanie brány prerušiť a kontaktovať autorizovaný servis.
- Kontrolujte upevnenie pohonu.

[B000029] Pre čistenie okenných tabúl v preskleneniach (okienka, hliníkové presklené profily) treba používať suché, čisté a mäkké, najlepšie bavlnené tkaniny. Možno používať tekutiny pre umývanie riadov o neutrálnej reakcii pH, no odporúča sa, aby skôr na malej ploche presklenia urobil skúšku. Pred čistením sklo treba dôkladne oplachnúť vodou za účelom odstránenia znečistení a prachu, ktoré môžu poškodiť plochu skla. Neodporúča sa používanie čistiacich prostriedkov, ktoré obsahujú alkohol alebo rozpúšťadlá (spôsobujú trvalé matovanie skla).

[C000017] Úkony možné pre vykonanie cez Kompetentnú osobu.

[D000332] Servisnú prehliadku brány treba predviesť aspoň raz za 12 mesiacov. V rámci štandardných konzervačných úkonov treba:

- overiť napnutie pružín - otvoriť bránu zdvíhajúc krídlo k polovici výšky (uhol krídla asi 45 stupňov),
 - keď krídlo príliš klesne, zväčšiť napnutie pružín cez reguláciu nákr. I,II,
 - keď krídlo sa príliš zdvihne, zmenšiť napnutie pružín cez reguláciu nákr. I,II.



V prípade nepredvedenia vyššie uvedených prác jestvuje nebezpečenstvo, že krídlo náhle klesne a spôsobí zranenie osôb alebo poškodenie predmetov, ktoré sú v jej blízkosti.

- overiť stav upnutia krytov pružín, v prípade potreby napraviť,
- overiť či jazdné valčeky počas otvárania a zatvárania brány sa otáčajú. Keď robia odpor alebo sa vôbec neotáčajú, overiť ich stav a zvlášť jazdné plochy. V prípade nevyhnutnosti vymeniť celé skupiny,
- v rámci prehliadky overiť mechanické podskupiny, ktoré majú vplyv na bezpečnosť a správnu prácu brány. V prípade zistenia akýchkoľvek po-

škodení bezohľadne odstrániť a chybné podskupiny a časti opraviť alebo vymeniť,

- overiť stav pružín.

[D000370] Činnosti, ktoré môže vykonávať iba profesionálny inštalatér:

Všetky rekonštrukcie a úpravy brány je potrebné dohodnúť s výrobcom. Rozsah prác, ktoré sú súčasťou periodickej prehliadky brány vykonávanej autorizovaným servisom výrobcu:

- Identifikácia brány, typu brány, výrobného čísla.
- Kontrola označenia brány, výstražných nálepiek, v prípade že chýbajú, treba ich doplniť.
- Kontrola spojovacích prvkov použitých v bráne: rozperné kotvy upevňujúce bránu ku stene, upevňovacie skrutky vodiacich lišt.
- Kontrola pružín a prvkov, ktoré s nimi spolupracujú. V prípade zistenia badaateľných stôp opotrebenia je nevyhnutné tieto súčasti vymeniť.
- V prípade používania brány dlhšie ako 12 rokov alebo keď brána vykoná viac ako 10 000 cyklov (počet cyklov sa stanovuje odhadom na základe informácií užívateľa) - je nutné bezpodmienečne vymeniť pružiny.

Venujte pozornosť podmienkam, v akých sa brána používa. Ak sa tieto podmienky líšia od predpísaných prevádzkových podmienok, je potrebné vlastníka informovať o možných následkoch (napr. možnosť vzniku havárie).

[C000235] Činnosti, ktoré je oprávnený vykonávať výhradne autorizovaný servis výrobcu:

- všetky spracovania brán,
- výmena pružín vyvážajúcich krídlo brány,
- oprava elektrických podskupín,
- oprava podskupín brány



Pri všetkých konzervačných prácach a prehliadkach brány odpojiť napájanie pohonu. Upínanie pružín vyvážajúcich ťažkosť krídla brány možno uvoľňovať iba vtedy, keď brána je v otvorenej polohe.

[A000011] Všetky úkony vykonať podľa tejto Inštrukcie inštalovania a obsluhy brány. Všetky poznámky a odporúčania odovzdať vlastníčkovi brány v písomnej podobe, npr. zaznamenať v raportovej knihe brány alebo záručnom liste a odovzdať majiteľovi brány. Po vykonaní prehliadky potvrdiť jej predvedenie zápisom v raportovej knihe alebo v záručnom liste brány.

[A000068] **Výrobca si vyhradzuje právo vykonávania konštrukčných zmien vyplývajúcich z technického pokroku, ktorý bez upovedomenia nemení funkčnosť výrobku.**

Dokumentácia je vlastníctvom výrobcu. Kopírovanie, zobrazovanie a využívanie v celosti alebo čiastočne bez písomného súhlasu majiteľa je zakázané.

[D000334] 17. NAJČASTEJ KLADENÉ OTÁZKY

Príčina	Riešenie
Brána sa ťažko otvára/ náhle zatvára, krídlo brány nie je vyvážené (brána samočinne opádava alebo sa otvára).	<ul style="list-style-type: none"> Overiť napnutie pružín- do polovice otvorí bránu, brána má ostať v tejto polohe. Keď príliš klesne- zväčšiť napnutie pružín. Keď príliš sa zdvihne- zmenšiť napnutie pružín.
Počas práce brány sú veľké odpory pohybu, krídlo sa plynule neotvára.	<ul style="list-style-type: none"> Overiť, či valčeky počas otvárania a zatvárania sa krídla sa otáčajú. Keď robia odpor alebo sa vôbec neotáčajú – opäť vyregulovať a natrieť. Overiť či vo vedeniach nie sú znečistenia. Overiť správnu montáž vedení (uhlopriečka).
Zámka sa neotvára/ nezatvára, je chybná práca zámky.	<ul style="list-style-type: none"> Natrieť bubonkovú vložku grafitovým masťom. Overiť fungovanie západky, keď sú odpory- namastiť. Overiť správnosť namontovania spojky zámky so západkou. Overiť fungovanie posúvača- blokujúceho zámku.
Západky nezatvárajú bránu.	<ul style="list-style-type: none"> Overiť prácu západiek. Overiť spojenie závory so zámkou brány. Keď je potreba v prípade brán vybavených v lanko- zväčšiť napnutie lanka keď brána je vybavená v ťažný prostriedok, vymeniť ťažné prostriedky.
Západky nezatvárajú brány v bráne vybavenej v pohon.	<ul style="list-style-type: none"> Overiť nastavenie nárazníka okrajovej polohy. Overiť nastavenie mikroprepínača. Overiť napnutie lanka medzi zámkou a pohonom- v prípade potreby vyregulovať.

V prípade akýchkoľvek pochybností treba sa skontaktovať s autorizačnou servisnou opravovňou.

TARTALOMJEGYZÉK:

1. Általános tudnivalók	37
2. Szabvány szerinti meghatározások és definíciók	37
3. Jelkép-magyarázat	37
4. A szerkezet leírása és műszaki adatai	37
4.1. Alkalmazás és rendeltetés	37
5. Szerelési útmutatások	37
6. Igényelt szerelési körülmények	37
7. Szerelési utasítás	38
7.1. A szerelés sorrendje	38
7.2. A kapuk szerelése alatt elkövetett hibák	38
8. További követelmények	38
9. Környezetvédelem	38
10. A kapu leszerelése	38
11. Üzemeltetési megjegyzések	38
12. A kapu igényelt környezeti feltételei	38
13. Kezelési és karbantartási utasítás	39
14. Fontos információk és megjegyzések	39
15. Kapuüzemeltetési utasítás	39
16. Napi karbantartásra vonatkozó utasítás	39
17. Gyakran intézett kérdések	41

[A000001] 1. ÁLTALÁNOS TUDNIVALÓK

A kapu szerelését illetve szabályozását legalább KOMPETENS személy végezheti.

[D000323] A billenő garázkapu családi házakban használható.

[A000066] A jelen Szerelési utasítás Profi Szerelő vagy Kompetens Személy számára készült. Tartalmazza a kapu biztonságos beépítéséhez szükséges tudnivalókat. A kaput és annak különálló részeit a gyártó által mellékelte Szerelési és Kezelési Utasítás szerint kell beépíteni.

A kapu beépítéséhez csak az eredeti, a kapuval együtt leszállított rögzítőelemeket szabad felhasználni. A szerelési munkák megkezdése előtt át kell tanulmányozni az egész utasítást. Olvassuk át gondosan az utasítást, és tartsuk be annak ajánlásait. A kapu megfelelő működése jelentős mértékben függ attól, hogy a beépítést helyesen végeztük-e el.

Az Utasítás kiterjed az alapkivitelű (felszereltségű), ill. opcionális elemekkel ellátott kapu szerelését is. Az alap- és opcionális tartozékok körét a kereskedelmi ajánlat tartalmazza.

[B000002] Az építőanyag, amelyhez a kapu szerelve lesz, lényegesen eldönti a rögzítő elemek kiválasztását. A kapuval készletben leszállított feszítő dübök rendeltetése teljes, tömör struktúrájú anyagban való rögzítés (pl. beton, teljes tégl). Az ezektől eltérő anyagban való szerelés esetén ezeket a rögzítő elemeket olyan elemekkel kell helyettesíteni, amelyek megfelelők a falak és a mennyezet építéséhez felhasznált anyaghoz. E célból a szerelőnek figyelembe kell venni a rögzítő elemek gyártójának a kiválasztásukra vonatkozó utasításait.

[B000028] Az üvegezésben alkalmazott üvegek (ablakok, üvegezett alumínium profilok) műanyagból készültek. A műanyag üvegek természetes tulajdonsága a levegőben jelen nedvesség abszorbeálása, ami a változó időjárási viszonyokban az üvegezésen belül pára kicsapódásához és leülepedéséhez vezethet. Az alumínium profilok bepárársodása egy természetes jelenség és nem reklamáció tárgya.

[A000003] Az utasítás több fajta kapu szerelésére vonatkozhat. Az ábrázoló rajzok különbözhetnek a kivitelezéstől függően. Szükség esetén ezek a részletek külön rajzokon kerültek bemutatásra.

Ez az utasítás fontos információkat tartalmaz a kapu biztonságos szerelésével, üzemeltetésével és szakszerű karbantartásával kapcsolatban.

A szerelés során be kell tartani a szerelő-, lakatosmunkára valamint az alkalmazott szerelési technológiától függően villamos szerszámok segítségével végzett munkára vonatkozó munkabiztonsági és munkaegészségügyi előírásokat valamint figyelembe kell venni a hatályos szabványokat, jogszabályokat és vonatkozó építkezési dokumentációt.

Felújítási munkák során a kapu biztosítani kell a vakolat, cement, gipsz töredékei ellen, mert ezek foltokat hagyhatnak.

A Szerelési és Üzemeltetési Utasítás a kapu tulajdonosa számára szánt dokumentáció. A szerelés befejezése után a dokumentációt át kell adni a kapu tulajdonosának. Az Utasítást gondosan kell megőrizni és védeni az elvesztése ellen. Ha a kapu szereléséhez több gyártótól vagy szállítótól származó elemek kerülnek felhasználásra, az EN 13241-1 európai szabvány értelmében a kapu szerelőjét a gyártójának kell tekinteni.

Tilos a kapu bármelyik elemének módosítása illetve eltávolítása. Ilyen műveletek a kapu biztonságos üzemeltetését biztosító részeinek sérülését okozhatja. Megengedhetetlen a kapu részegységeinek módosítása.

[C000229] Megengedhetetlen a kapu módosítása, pl. a kapuszárny hőszigetelése.

[A000067] A meghajtás szerelésénél a meghajtás és a kiegészítő tartozékok gyártójának ajánlása szerint kell eljárni. A meghajtás csatlakoztatásához kizárólag a gyártó eredeti részegységeit használjuk fel.

[B000052] Tilos a kapu mozgási területének eltorlaszolása. Ezért a nyíló vagy záródó kapu útjában semmi akadály nem lehet. Bizonyosodjon meg, hogy a kapu mozgása során az útjában semmilyen személy, főleg pedig gyerekek vagy tárgyak nem állnak.

[A000037] 2. SZABVÁNY SZERINTI MEGHATÁROZÁSOK ÉS DEFINÍCIÓK

Az utasításban használt figyelmeztető jelek magyarázata:



Figyelem! - figyelem fordítására utaló jel.



Információ - fontos információt jelentő jel.



Hivatkozás - a jelen szerelési utasításban meghatározott pontjára hivatkozó jel.

Szakszerelő - kompetens személy vagy egység, mely harmadik személyek részére kapuszerelési szolgáltatásokat nyújt, beleértve a javítást (EN 12635 szerint).
Kompetens Személy - megfelelően szakképzett személy, akinek képességei a tudásból és gyakorlati tapasztalatból adódnak, aki a szükséges szerelés helyes és biztonságos elvégzéséhez megfelelő utasításokkal rendelkezik (EN 12635 szerint).

Tulajdonos - természetes vagy jogi személy, aki a kapu feletti rendelkezésre való jogcímekkel rendelkezik és felelős annak működéséért és használatáért (EN 12635 szerint).

Jelentés könyv - könyv, mely az adott kapu főadatait tartalmazza, továbbá olyan helyekkel rendelkezik, ahol az ellenőrzések, próbák, karbantartások ill. a kapu bármilyen javításai és módosításai bejegyezhetők (EN 12635 szerint).

[D000324] 3. JELKÉP-MAGYARÁZAT

So - a nyílás szélessége

Ho - a nyílás magassága

[B000088]



- kapu a vízszintes vezetősínek összekötő keresztlécével



- kapu a vízszintes vezetősínek összekötő keresztléc nélkül

[A000052]



- opció



- kézi



- automata

[D000367] 4. A SZERKEZET LEÍRÁSA ÉS MŰSZAKI ADATAI

A billenőkapukat szokásosan mint garázkapukat gyártjuk. A részletes méret-tartományt és a műszaki adatokat az árjegyzék tartalmazza. A kapuszerkezet horganyzott acél zártszelvényekből készül, a kitöltés pedig T-10 horganyzott acél trapézlemezbe, poliészter bevonattal. A kapuk kialakíthatók kifelé nyíló átjáróajtóval és üvegezéssel is. A kapunál alkalmazott rugórendszer segíti a kapuszárny felemelését és leeresztését; a rugókat ujjbecsípődés elleni védőhüvelyekkel burkoltuk be.

[D000326] 4.1. ALKALMAZÁS ÉS RENDELLETÉS

A billenő garázkapuk magánépületekben és gazdasági helyiségekben használhatók.

[A000005] 5. SZERELÉSI ÚTMUTATÁSOK

A kapu szerelése és üzembe helyezése előtt figyelmesen olvassa el a jelen utasításban foglalt irányelveket. A kapu szerelésére és üzemeltetésére vonatkozó útmutatások betartása megengedi a megfelelő beépítést és hosszú hibamentes üzemeltetését. A kapu szerelésével kapcsolatos valamennyi műveletet a megadott sorrendben kell elvégezni.

[A000006] 6. IGÉNYELT SZERELÉSI KÖRÜLMÉNYEK

A kapu a rendeltetésének megfelelően kell használni és üzemeltetni. A kapu kiválasztását és alkalmazását az építőiparban az adott létesítménynek hatályos jogszabályoknak és szabványoknak megfelelően készített műszaki dokumentációjának megfelelően kell végezni.

[B000005] A kapuk a vasbetonból, téglából készült falakra vagy acélkeretekre szerelhetők. A helyiség, amelyben a kapu fel lesz szerelve, teljesen kész legyen (va-

kolt falak, befejezett padló), a falak kivitelezési hibáktól mentesek legyenek. A helyiség száraz és a lakkozott felületekre ártalmas vegyi anyagoktól mentes legyen. Az oldalfalak, homlokfal és a szerelési nyílás kiváltó gerendája függőleges legyen és vízszintes a padlóhoz, valamint befejezett.



Tilos a kapu beszerelése olyan helyiségbe, ahol befejező munkákat fognak folytatni (vakolás, gipszelés, polírozás, festés, stb.)

A padló az alsó tömítőgumi körében egyenlő legyen és olyan módon készítve, hogy biztosítva legyen a víz szabad elfolyása. Biztosítani kell a garázs szabad szellőztetését (száradását).



A kapu villamos meghajtását végző professzionális szerelőnek vagy kompetens személynek be kell tartania a meghajtás Szerelési és Üzemeltetési Utasításában foglaltakat.

[B000092] A tér beépítéséhez szükséges a kapu mentesnek kell lennie mindenféle csövek, stb.



- [C000184] **Tilos a kapuszárny megnyitása a felszerelt futósínek nélkül.**
- [C000230] **Tilos a kapu áthelyezése vízszintes helyzetben, külső lemez-felülettel lefelé.**

[B000089] Biztonsági feltételek

- Az elektromos hálózat kivitelezésének és áramütés elleni védelmének a módjait az érvényes szabványok és jogszabályok határozzák meg.
- A meghajtás tápáramkörébe feszültségmentesítő kapcsolót, túláram-védelmet és maradékáram-védelmet kell beépíteni.
- A kapu tápfeszültség-ellátását különálló áramkörként kell elkészíteni.
- A meghajtás kötelező földelését kell elsősorban elkészíteni.
- A meghajtás csatlakoztatása a gyártó által a meghajtáshoz mellékelt vezeték használatával történjen.
- Az elektromos szerelést az adott országban érvényes előírások szerint kell kivitelezni.
- Bármiféle elektromos szerelést csak erre jogosult villanyszerelő végezhet.

[D000368] 7. SZERELÉSI UTASÍTÁS

A kapu megfelelő működése jelentős mértékben függ a helyes szereléstől. A gyártó javasolja, hogy a szerelést általa meghatalmazott cégekkel végeztessék. Csak a helyes beépítés és az utasítás szerint, kompetens egységek vagy személyek által végzett karbantartás biztosíthatja a kapu biztonságos és rendeltetésszerű működését.

[D000369] 7.1. A SZERELÉS SORRENDEJE

- 0.2. ábra: A szerelés megkezdése előtt ellenőrizzük a kapunyílás méreteit (szélesség és magasság).
- 0.3. ábra: Szükség esetén hozzuk olyan méretre a kapunyílást, hogy a tok lazán elférjen benne, és a kaput a nyílás síkjában ki lehessen vízszintezni, ill. függőlegesen lehessen állítani.
- 1.3. ábra: A szerelés első fázisában állítsuk be a kaput vízszintesen és függőlegesen. Ellenőrizzük, hogy a kapuszárny egész kerülete mentén megfelelően illeszkedik-e a tokhoz. Szükség esetén a kapu beállításánál 1 [m] hosszon 2 [mm] eltérés engedhető meg azzal a feltétellel, hogy a szárny megfelelően illeszkedik a tokhoz. Ha a szárny erősen hozzácsúrlódik a tokhoz, akkor ellenőrizzük a vezetősinék merőlegességét a kapu szemöldökéhez képest (vagy a vezetősinék átlóit). Ha ezek a feltételek teljesülnek, akkor megengedett a karok meghajtása úgy, hogy a kapu megfelelően működjön.
- 4-15. ábra: Gondosan végezzük el a rajzokon feltüntetett további szerelési műveleteket.
- 8-9. ábra: Ellenőrizzük a vízszintes vezetősinék átlóit. Rögzítsük a vezetősinéket a mennyezethez a függesztő tartók segítségével.
- 4., 11., 12. ábra: A szerelési dűbelek segítségével rögzítsük a kaput. A dűbelek száma a kapu szerelési lemezeinek a számától függ.
- 13.1. ábra: A szerelés után vágjuk le a függesztők kiálló részeit, az éleket sorjazzuk le, és festékbevonattal védjük.
- 13.3. ábra: A vízszintes vezetősinék rögzítése a mennyezethez 2 készlet függesztő tartó segítségével.
16. ábra: A kapu szerelése kefeftömítéssel. Szereljük le a kapu küszöbét, majd rögzítsük a kaput a szerelési dűbelek segítségével. Kapu közvetlenül a padlózatra szerelve.
1. ábra: A beépítés után ellenőrizzük a kapu működését a Szerelési és Kezelési Utasítás szerint, szükség esetén pedig korrigáljuk a beállításokat. Ellenőrizzük a rugók kellő feszességét, szükség esetén

állítsuk azt be (a kapu beállítását kizárólag akkor végezzük, ha az teljesen nyitva van, és biztosítottuk nem szándékos bezáródás ellen). Ennek érdekében:

- nyissuk ki a kaput: a kapuszárnyat emeljük fel a magasság feléig (a szárny kb. 45°-ban álljon),
- ha a szárny határozottan leesik, növelni kell a rugók feszességét - lásd a I.II sz. rajzon,
- ha a szárny határozottan felemelkedik, csökkenteni kell a rugók feszességét - lásd a II sz. rajzon.

[D000328] 7.2. A KAPUK SZERELÉSE ALATT ELKÖVETETT HIBÁK

Fennáll annak a veszélye, hogy a kapu szerelése során hibák jelentkeznek, amelyek könnyen elkerülhetők az alábbiak betartásával:

- a kapu futósíneinek legyen átlójuk, és legyenek párhuzamosak egymáshoz,
- a kapuszárnyak legyen átlója lezárása után,
- az ajtóterek és a kapuszárny közötti mozgási terek egyforma legyenek mind a két oldalon,
- valamennyi összekötő elemet megfelelően kell becsavarni.

A fenti alapvető útmutatások be nem tartása a kapu megfelelő működését akadályozhatja, a kapu megrongálásához és következésképpen a garancia elvesztéséhez vezethet.

[A000007] 8. TOVÁBBI KÖVETELMÉNYEK

A szerelés befejezése után ellenőrizze, hogy a kapu fel van-e szerelve a szabvány szerinti CE adattáblával, és ha nincs, szerelje fel az adattáblát. A kapu megfelelő működésének az ellenőrzése után adja át a kapu tulajdonosának a kapu Szerelési és Üzemeltetési Utasítását valamint a kapukönyvet, ha igényelt.

[A000008] 9. KÖRNYEZETVÉDELEM

Csomagolások

A csomagolás elemei (karton, műanyag, stb.) az újrahasznosítható hulladéknak minősülnek. A hulladékok szemétkosárba rakása előtt alkalmazza az adott anyagra vonatkozó helyi jogszabályozásokat.

A készülék hulladékkezelése

A termék számos különböző anyagból készült. A felhasznált anyagok többsége újrahasznosítható. Ártalmatlanítás előtt az anyagot szegregálni kell, majd pedig elvinni a hulladékgyűjtési pontba.



Selejtezés előtt alkalmazza az adott anyagra vonatkozó helyi jogszabályozásokat.



[A000009] Figyelem! A csomagoló anyagok újrahasznosításra visszazolgáltatása megtakarítja a nyersanyagokat és csökkenti a hulladékkezelést.

[D000329] 10. A KAPU LESZERELÉSE

1. A kaput csukja be és reteszelve be.
2. Szerelje le a szerelőidomokat és futósíneket.
3. Húzza ki a kaput a nyílásból, felületi lemezzel felfelé.
4. Szállítás előtt a kapuszárnyat biztosítani kell az ellenőrizetlen megnyílás ellen.

[D000330] 11. ÜZEMELTETÉSI MEGJEGYZÉSEK

A kapu hosszú, hibamentes működését biztosító megfelelő üzemeltetési alapfeltételek:

- Alsó gumitömítő körében biztosítson szabad vízfolyást,
- Védje a kaput a lakkevonatokra és fémekre káros tényezők ellen, pl. maró anyagok, mint savak, lúgok, sók,
- A helyiségben folytatott befejező vagy felújító munkák során a kaput biztosítani kell a vakolat töredékei ellen, a festékek, oldószerek ellen,
- Standardszerűen a kapuszárny súlyát kiegyensúlyozó rugókat 10 000 ciklusra tervezték. A meghatározott ciklusszám elteltével a rugókat feltétlenül ki kell cserélni.
- Villamos vezérlésű kapukat az elektromos berendezéssel leszállított utasításnak megfelelően kell nyitni
- Ha a kapuemelést során túlságos ellenállás jelentkezik, ellenőrizze a kapu beszerelésének megfelelőségét és szükség esetén végezze el a beszállítását a szerelési utasításnak megfelelően,
- Ha a kapu fel van szerelve a személyi bejáróval, tilos a kapu emelése, amikor a bejáró nincs kulcsra zárva.

[B000170] 12. A KAPU IGÉNYELT KÖRNYEZETI FELTÉTELEI

- Hőmérséklet -30° C ÷ +50° C
- Relatív páratartalom - max. 80% nem kondenzált
- Elektromágneses terek - nem vonatkozik

Kézi kapukra vonatkozik, meghajtással rendelkező kapuk esetén a környezeti feltételeket a Szerelési és Kezelési Utasítás adja meg.

[A000029] 13. KEZELÉSI ÉS KARBANTARTÁSI UTASÍTÁS

Jelen Szerelési és Üzemeltetési Utasítás a kapu tulajdonosa számára szánt dokumentáció.

Olvassa el figyelmesen a jelen utasítást és tartsa be a benne foglaltakat. Az utasítás a kapu biztonságos üzemeltetését valamint kezelését és karbantartását biztosító nélkülözhetetlen információkat tartalmazza.

[A000010] 14. FONTOS INFORMÁCIÓK ÉS MEGJEGYZÉSEK

- Olvassa el figyelmesen a jelen utasítást.
- Valamennyi kezelési műveletet a kapu Szerelési és Üzemeltetési Utasításának megfelelően kell végezni.
- A kapu vizsgálatával illetve javításával kapcsolatos munkák során be kell tartani a munkabiztonsági és munkaegészségügyi előírásokat valamint a kapu Szerelési és Üzemeltetési Utasításában foglaltakat.
- Megengedhetetlen a kapu részegységeinek illetve alkatrészeinek módosítása.

**[B000006] Tilos kapuhasználatra vonatkozó információk**

- Tilos a kapu megnyitása a felszerelt futósínek nélkül.
- Tilos a kapu mozgási területének eltorlaszolása. Ezért a nyíló vagy záródó kapu útjában semmi akadály nem lehet. Bizonyosodjon meg, hogy a kapu mozgása során az útjában semmilyen személy, főleg pedig gyerekek vagy tárgyak nem állnak.
- Tilos a személyek tartózkodása, gépkocsik illetve egyéb tárgyak hagyása a nyitott kapu mozgási terében.
- Tilos a mozgó kapu alatti tartózkodás, átjárás, átfutás illetve áthaladás.
- Tilos a kaput használni a tárgyak vagy személyek emelésére.
- Ne engedje, hogy a gyerekek játszanak a kapu készülékeivel. A kaput vezérlő távirányító készülékeket gyermekektől védve kell tartani. A távirányítók száraz helyen, nedvességtől védve kell tartani.
- Tilos a kapu bármelyik elemének módosítása illetve eltávolítása. Ilyen műveletek a kapu biztonságos üzemeltetését biztosító részek sérülését okozhatják.
- [B000090] Tilos bármiféle járulékos kitöltést vagy hőszigetelést felszerelni a szárnyra anélkül, hogy ezt írásos formában ne egyeztetnénk a gyártóval. A rugók megválasztása a kapuszárny tömegének megfelelően történjék, és minden további járulékos elem túlterhelést okozhat, ami veszélyezteti a kapu megfelelő működését.
- [B000093] Az elektromos meghajtással felszerelt kapukat a meghajtás szerelési és kezelési utasítása szerint kell kinyitni.
- [B000008] Védje a kaput a lakkbevonatokra és fémekre káros tényezők ellen, pl. maró anyagok, mint savak, lúgok, sók. A helyiségben folytatott befecskendező vagy felújító munkák során a kaput biztosítani kell a vakolat töredékei ellen, a festékek, oldószer ellen.

[C000011] 15. KAPUÜZEMELTETÉSI UTASÍTÁS

- **Tilos a kapu mozgási terének eltorlaszolása.** A kapu függőlegesen felfelé nyílik. Ezért a nyíló vagy záró kapu útjában semmilyen akadály nem lehet. Bizonyosodjon meg, hogy a kapu mozgása során az útjában semmilyen személy, főleg pedig gyerekek vagy tárgyak nem állnak.
- **Vigyázat! Balesetveszély.**
- [A000063] Tilos a hibásan működő kapu használata, kiváltképpen pedig tilos a kapu üzemeltetése, ha a súlyt kiegyenlítő rugók, felfüggesztés elemei illetve a kapu biztonságos üzemeltetéséért felelős részegységek láthatóan sérültek.
- [B000007] Tilos a kapu használata a működésében tapasztalt bármilyen rendellenesség vagy részegységeinek sérülése esetén. A kapu használatát abba kell hagyni és kapcsolatba lépni az autorizált szervizzel.

[C000012] A kapu első megnyitása előtt ellenőrizze a beszerelésének megfelelőségét a Szerelési és Üzemeltetési Utasítással.

A kapu beszerelése akkor megfelelő, amikor a szárnya / lapja folyékonyan mozog és a kezelése könnyű.

[C000399] **Nyitás** – a kapu kézzel csak a kilincset, vagy az erre a célra szolgáló külső vagy belső fogantyú segítségével nyitható. A helytelen kezelés balesetet okozhat.

Zárás – A kaput kézzel zárjuk úgy, hogy a szárnyon lévő kilincsnél fogva erőteljesen becsapjuk, ami azzal jár, hogy a reteszek beugranak a tokban lévő akasztó elemekbe.

A kapuzár reteszélése – alapkvitelben a hajtás nélküli kapuk olyan zárraknak vannak felszerelvek, amelyeket a kulcs óramutató járásával szembeni 360 fokos elfordításával reteszeltünk.

A kapu (zár) kireteszelése – kulccsal vagy záróretesszel:

- kívülről - a kulcsot 360 fokban el kell fordítani az óramutató járásának irányában,
- belülről – a zárbetét mellett lévő záróreteszt toljuk el felfelé, egyidejűleg a kilincset fordítsuk el jobbra.

[C000088] Személyi bejáró

- A személyi bejáró csak kézzel nyitható úgy, hogy a kilincset meghúzzuk az ajtó nyitási irányába. Az ajtót erőhasználat nélkül kell nyitni, hirtelen rántások nélkül, mert ezek negatívan befolyásolják a személyi bejáró tartósságát, funkcionalitását és használatának biztonságát.
 - A személyi bejáró beszerelése akkor megfelelő, amikor a szárnya folyékonyan mozog és a kezelése könnyű.
 - Kerülni kell az ajtó szárnyának hirtelen ütogetését az ajtókerethez, úgynevezett „becsapódását”, mert ez a festékbevonat sérülését, üvegezés repedését, szerelvények, vasalások, tömítések rosszabb működését és az ajtószárny elhajlását okozhatja.
 - Tilos az ajtószárnyának megterhelése egyéb terhekkel, ajtónyitási erő alkalmazásával, valamint a tárgyak meghagyása az ajtó szárnyának mozgásterében.
- [C000089] Az ajtó ajtókhöz mindenkor ajánlatos önzáró berendezést használni, amit kizárólag az ajtószárny kézi nyitását követően önzáró A személyi bejáró mindenkori használatokor javasolt az önzáró szerkezet alkalmazása, kizárólag az ajtószárny önzárására korábbi kézi megnyitása után.
- [C000090] A kapu mindenkori elindítása előtt meg kell győződni, hogy a személyi bejáró zárva van. A villamos meghajtású kapuban felszerelt személyi bejárónak rendelkeznie kell a végkikapcsolóval, amely megakadályozza a meghajtás elindítását, ha az ajtó nyitva van.
- [C000091] Tilos az ajtószárnyra egyéb (mint önzáró szerkezet) erőt gyakorolni az ajtószárny becsukása vagy gyorsabb zárása érdekében, mert ez az önzáró szerkezet szétszabályozásához illetve megrongálásához vezet.



[C000209] Tilos bármilyen tárgyat betenni az ajtó nyíló vagy záródó szárnyra, kerete közé. Vigyázat! Balesetveszély.

[C000050] 16. NAPI KARBANTARTÁSRA VONATKOZÓ UTASÍTÁS A Tulajdonos által a kapuval leszállított Szerelési és Üzemeltetési Utasítás alos elolvasása után elvégezhető műveletek:

[C000258] A kapuszárny külső felületét szivaccsal, tiszta vízzel vagy a kereskedelemben lakkok tisztítására forgalmazott szerekkel kell tisztítani. Ne használjunk olyan tisztítószereket, amelyek karcosítják a felületet, éles szerszámokat vagy nitrogén alapú tisztítószereket.

Legalább minden 6 hónapban végezzünk szemlélet és karbantartást, amelynek során:

- VSzükség esetén kenjük meg a csuklós kötések (sarokpántokat), vezetőgörgőket, rugókat, vezetősíneket, a kapu kinyitása előtt és annak működése alatt.
- Ne olajozzuk a hengerzárbetétet, szükség esetén kenjük meg gépszírral.
- A szemle során ellenőrizzük a kaput a falhoz rögzítő elemeket, a csavarokat (lemezcavarokat), a vezetőgörgőket, és ha bármiféle hiányosságot találunk, akkor feltétlenül távolítsuk el az adott elemeket; ennek megtörténte előtt tilos a kaput működtetni.
- Ha bármiféle hiányosságot állapítunk meg a kapu működésében, vagy valamelyik részegység sérült, akkor le kell állítanunk a kapu használatát, és kapcsolatba kell lépni a márkaszervizzel.
- Ellenőrizzük a meghajtás rögzítését.

[B000029] Az üvegezésben alkalmazott felületek (ablakok, üvegezett alumínium profilok) tisztítására száraz, tiszta és nagyon puha, legjobban pamut textíliákat kell használni. Használható a felületet nem karcoló tisztítószerek, pl. semleges pH értékű mosogatószer, de javasolt előzetes próba elvégzése az üvegezés kis részén. Tisztítás előtt az üveget pontosan le kell öblíteni (nem ajánlott a magasnyomású tisztító készülékek használata) az apró szennyeződések és porszemcsék eltávolítása végett, amelyek az üveg felületét megkarcolhatják. Nem ajánlott az alkoholt illetve oldószereket tartalmazó tisztítószerek használata (az üveg felületének tartós elhomályosodását okozzák).

[C000017] A megfelelő jogosultsággal rendelkező Kompetens személy által elvégezhető műveletek.

[D000332] A kapu szervizvizsgálatát legalább minden 12 hónaponként kell elvégeztetni.

A standard karbantartási műveletek keretében kötelező az alábbi műveletek elvégzése:

- Ellenőrizze a rugók feszültségét - nyissa ki a kaput felemelve a szárnyát félmagasságára (a szárny szöge kb. 45°):
 - ha a szárny kifejezetten leesik, növelje a rugók feszültségét az I.II rajzon bemutatott szabályozással,
 - ha a szárny kifejezetten emelkedik, csökkentse a rugók feszültségét az I.II rajzon bemutatott szabályozással.



A fenti műveletek elvégzésének az elmulasztása esetén fennáll annak a veszélye, hogy a kapuszárny hirtelenül leesik és a közelében levő személyek vagy tárgyak sérülését okozza.

- Ellenőrizze a rugók tokjának rögzítésének állapotát és szükség esetén javítsa meg,
- Győződjön meg, hogy a görgők forognak a kapuszárny nyitása és zárása közben. Ha ellenállást tapasztal, vagy a görgők egyáltalán nem forognak, ellenőrizze az állapotukat, főleg pedig a futó felületüket. Szükség esetén teljes részegységeket cserélje ki.
- A vizsgálat keretében ellenőrizni kell a kapu biztonságát és megfelelő működését befolyásoló mechanikus részegységeit. Bármilyen hiba esetén feltétlenül távolítsa el, hibásan működő részegységeket és elemeket javítson meg vagy cseréljen ki.
- Ellenőrizze a rugók állapotát.

[D000370] Tevékenységek, amelyek elvégzéséhez Profi Szerelőkre van szükség:

A kapu bármiféle átalakítását vagy módosítását egyeztetni a gyártóval. A gyártó márkaszervize által az időszakos szemle keretében elvégzendő munkák köre:

- A kapu azonosítása: a kapu típusa, sorozatszám.
- A kapu megjelölésének, figyelmeztető címkeinek ellenőrzése, hiányuk esetén -pótlása.
- A kapuban alkalmazott összekötő elemek ellenőrzése: a kaput falhoz rögzítő csavarok, futósíneket rögzítő csavarok.
- Rugók, az ezekkel együttműködő elemek ellenőrzése, látható kopási nyomok esetén ezeket az elemeket feltétlenül cserélni kell.
- 12 évnél hosszabb üzemeltetés esetén, vagy ha a kapu 10000-nél több ciklust futott le (a ciklusok számát a kapu felhasználójával lefolytatott beszélgetés alapján kell felbecsülni) - a rugókat feltétlenül cserélni kell.

Ellenőrizni a kapu üzemeltetési körülményeket, amennyiben ezek a körülmények eltérnek a kötelező üzemeltetési körülményektől a kapu tulajdonosát tájékoztatni kell a lehetséges következményekről (pl. hibajelentkezés lehetősége).

[C000235] Tevékenységek, amelyek elvégzését kizárólag a gyártó márkaszervizére szabad bízni:

- A kapu valamennyi átalakítása,
- A kapuszárny súlyát kiegyensúlyozó rugók cseréje,
- Elektromos részegységek javítása.
- A kapu részegységeinek javítása.



Bármilyen karbantartási munka illetve a kapu műszaki vizsgálata idején a meghajtás tápellátását kapcsolja ki. A kapuszárny súlyát kiegyensúlyozó rugók rögzítése csak a nyitott kapunál meglazítható.

[A000011] Valamennyi műveletet a jelen Szerelési és Üzemeltetési Utasításnak megfelelően kell elvégezni. Valamennyi megjegyzést és javaslatot a tulajdonosnak írásbeli formában kell átadni, pl. beírni a kapu szervizkönyvébe vagy jótállási lapjára. A vizsgálat befejezése után a vizsgálat elvégzését igazolni kell a kapu szervizkönyvében vagy jótállási lapján.

[A000068] **A Gyártó fenntartja a jogot arra, hogy a műszaki haladásból eredő, a termék funkcionálisát nem változó szerkezeti módosításokat értesítés nélkül bevezethesse.**

A dokumentáció a Gyártó tulajdonát képezi. Másolása, reprodukálása, felhasználása egészben vagy részben a tulajdonos írásbeli jóváhagyása nélkül tilos.

[D000334] 17. GYAKRAN INTÉZETT KÉRDÉSEK

Ok	Megoldás
A kapu nehezen nyílik /hirtelenül bezáródik, a kapuszárny nincs kiegyensúlyozva (a kapu magától leesik vagy nyílik).	<ul style="list-style-type: none"> Ellenőrizze a rugók feszültségét - nyissa ki a kaput felére, a kapunak maradnia kell ebben az állásban. Ha a kapu kifejezetten leesik, növelje a rugók feszültségét. Ha a kapu kifejezetten emelkedik, csökkentse a rugók feszültségét.
A kapu működése alatt nehezen mozog, a kapuszárny nem nyílik folyékonyan.	<ul style="list-style-type: none"> Győződjön meg, hogy a görgők forognak a kapuszárny nyitása és zárása közben. Ha ellenállást tapasztal, vagy a görgők egyáltalán nem forognak, szabályozza be és kenje be. Ellenőrizze, hogy a futósínekben nincs-e szennyeződés, amely a kapu hibás működését okozhatja. Ellenőrizze a futósínek megfelelő felszerelését (általó).
A zár nem nyílik / nem záródik, működése hibás.	<ul style="list-style-type: none"> Kenje be a hengerzárbetétet grafit kenőszerezrel. Ellenőrizze a retesz működését, szükség esetén kenje be. Ellenőrizze a retesz és a zár összekötő eleme felszerelésének a megfelelőségét. Ellenőrizze a zárat blokkoló rész működését.
A reteszek nem zárják le a kaput.	<ul style="list-style-type: none"> Ellenőrizze a reteszek működését. Szükség esetén kenje be. Ellenőrizze a kapcsok összekötését a kapu zárjával. Szükség esetén, a kötéllel felszerelt kapu esetében növelje a kötél feszültségét, a pászmákkal felszerelt kapu esetén cserélje ki a pászmákat.
A reteszek nem zárják le a meghajtással felszerelt kaput.	<ul style="list-style-type: none"> Ellenőrizze a végállás korlátozójának a beállításait. Győződjön meg, hogy a mikro átkapcsoló be van állítva a billenő kapu működési módjába. Ellenőrizze a zár és meghajtás közötti kötél feszültségét, szükség esetén szabályozza be.

Bármilyen kétség esetén, vagy amikor a probléma nem szűnik meg, lépjen kapcsolatba az autorizált szervizponttal.

CUPRINS:

1. Informații generale	42
2. Termeni și definiții conform standardului	42
3. Explicarea simbolurilor	42
4. Descrierea construcției și date tehnice	42
4.1. Domeniul de utilizare și destinația	42
5. Recomandări de montaj	42
6. Condițiile de montaj necesare	43
7. Instrucțiunea de instalare	43
7.1. Ordinea instalării	43
7.2. Montajul greșit al ușilor de garaj	43
8. Cerințe suplimentare	43
9. Protecția mediului	43
10. Demontarea ușii de garaj	43
11. Mențiuni cu privire la exploatare	43
12. Intervalul condițiilor de mediu, pentru care este destinată ușa de garaj	44
13. Instrucțiunea de utilizare și întreținere	44
14. Informații și remarci importante	44
15. Instrucțiunea de utilizare a ușii de garaj	44
16. Instrucțiunea întreținerilor curente	44
17. Întrebările cele mai des adresate	46

[A000001] 1. INFORMAȚII GENERALE

Montajul și reglarea ușii poate fi efectuată de către o persoană COMPETENTĂ. [D000323] Ușa de garaj batantă este destinată utilizării în locuințele rezidențiale. [A000066] Această Instrucție de Instalare este o documentație destinată Instalatorilor Profioniști sau Persoanelor Competente. Aceasta conține informații indispensabile care garantează siguranța instalării porții.

Poarta și componentele acesteia trebuie să fie instalate în conformitate cu Instrucția de Instalare și Folosire de la producător.

Pentru instalarea porții trebuie să folosiți numai elementele originale de fixare, furnizate împreună cu poarta.

Înainte de a începe lucrările de montare vă rugăm să citiți întreaga instrucțiune. Vă rugăm să citiți cu atenție această instrucțiune și să respectați recomandările acesteia. Funcționarea corectă a porții depinde în mare măsură de instalarea corectă a acesteia.

Instrucțiunea include montarea porții cu echipament standard precum și cu echipament opțional. Gama echipamentului standard și opțional este descris în oferta comercială.

[B000002] Tipul și structura materialului de construcții, de care va fi fixată ușa decide în mod hotărâtor asupra alegerii elementelor de fixare. Diblurile standard livrate în set cu ușa sunt destinate fixării în materiale solide cu structură compactă (de exemplu: beton, cărămidă compactă). În cazul montării ușii de garaj pe alte materiale este necesară înlocuirea elementelor de fixare cu altele, care să corespundă tipului de fixare pentru materialele din care sunt efectuați pereții și tavanul. În acest scop persoana care efectuează montajul trebuie să urmeze recomandările cu privire la alegerea elementelor de fixare furnizate de către producătorul acestora.

[B000028] Geamurile utilizate în cadrul elementelor transparente (geamuri, profile din aluminiu cu geamuri transparente) sunt executate din plastic. O caracteristică naturală a geamurilor executate din plastic este absorbția umidității din aer, ceea ce în condiții variabile de mediu poate duce la pătrunderea și depunerea temporară a vaporilor în interiorul geamurilor. Aburirea profilelor din aluminiu a geamurilor este un fenomen natural și nu poate fi supusă reclamației. [A000003] Instrucțiunea se referă la montajul câtorva tipuri de uși de garaj. Desenele ilustrative pot varia în ceea ce privește detaliile de executare. În cazuri necesare aceste detalii sunt prezentate în desene separate.

Instrucțiunea cuprinde informațiile necesare, care garantează un montaj și o utilizare în condiții de siguranță, precum și o întreținere corespunzătoare a ușii de garaj.

În timpul instalării trebuie respectate normele de Siguranță, Protecție și Igienă a Muncii pe parcursul lucrărilor de: montaj, prelucrare a metalelor, efectuate prin intermediul echipamentelor electrice în dependență de tehnologia de montaj utilizată, precum și prin respectarea normelor, legislației în vigoare și a documentației de construcții relevante.

În timpul lucrărilor de construcții ușa de garaj trebuie protejată de stropii de tencuială, ciment, ghips care pot lăsa pete.

Instrucțiunea de Instalare și Utilizare este documentația destinată proprietarului ușii de garaj. După finalizarea montajului aceasta trebuie transmisă proprietarului. Instrucțiunea trebuie protejată de deteriorări și păstrată cu grijă.

În cazul în care pentru montajul ușii de garaj vor fi utilizate elemente livrate de diverși producători sau furnizori, persoana care efectuează montajul ușii de garaj este considerată producătorul acesteia, în conformitate cu norma europeană EN 13241-1.

Nici un element al ușii de garaj nu poate fi modificat sau omis. Acest lucru poate duce la deteriorarea componentelor, care asigură utilizarea ei în condiții de siguranță. Este interzisă modificarea subsansamblurilor ușii de garaj.

[C000229] Nu este permisă efectuarea transformărilor ușii de ex. izolarea suplimentară aripii ușii.

[A000067] Mănușii recomandările de la producătorul propulsiei și echipamentului adăugător. Pentru conectarea elementului de propulsie folosiți doar componentele originale de la producător.

[B000052] Nu blocați zona de mișcare a ușii de garaj. De aceea în calea de deschidere și închidere a ușii garajului nu se pot afla nici un fel de piedici. Trebuie să vă asigurați că în timpul deplasării ușii garajului nu se află persoane, în special copii sau obiecte.

[A000037] 2. TERMENI ȘI DEFINIȚII CONFORM STANDARDULUI

Interpretarea simbolurilor de atenționare utilizate în cadrul instrucțiunii:



Atenție! - simbol care indică atragerea atenției.



Informație - simbol care indică o informație importantă.



Referință - simbol care face trimitere la un anumit punct în cadrul acestei instrucțiuni de instalare.

Instalator Profesional - persoană competentă sau unitate, care oferă terților servicii în domeniul instalării ușilor de garaj, inclusiv îmbunătățirea acestora (conform EN 12635).

Persoană Competentă - persoană instruită corespunzător, cu calificări care rezultă din cunoștințe și experiență practică și dotată cu instrucțiunile necesare care să permită efectuarea instalării corespunzătoare în condiții de siguranță a montajului cerut (conform EN 12635).

Proprietar - persoană fizică sau juridică, cu titlu dreptului de utilizare a ușii de garaj și care poartă răspundere pentru funcționarea și utilizarea acesteia (conform EN 12635).

Registru de raport - caiet care conține cele mai importante date cu privire la o anumită ușa de garaj, în care este prevăzut locul în care pot fi înscrise notificările din timpul efectuării controalelor, probelor, întreținerii și tuturor reparațiilor și modificărilor ușii de garaj (conform EN 12635).

[D000324] 3. EXPLICAREA SIMBOLURILOR

So - lățimea orificiului

Ho - înălțimea orificiului

[B000088]



- poartă cu bară ce unește șinele orizontale



- poartă fără bara ce unește șinele orizontale

[A000052]



- opțiune



- manuală



- automată

[D000367] 4. DESCRIEREA CONSTRUCȚIEI ȘI DATE TEHNICE

Porțile basculante în mod standard sînt predestinate pentru garaj. Seria de detalii despre dimensiuni precum și detale tehnice se află în lista de prețuri. Construcția porții este fabricată din paneluri închise de oțel galvanizat, înăuntru cu placă de oțel galvanizat, profilată (trapez T-10), acoperită cu poliester. Porțile pot fi dotate cu ușa pietonală cu deschidere spre exterior precum și cu vitrare. Pentru porți este adoptat un sistem de resorturi, care contribuie la ridicarea și coborîrea aripii de poartă, resorturile sînt acoperite cu capac din metal pentru protecție împotriva blocăerii spre ex. a degetelor.

[D000326] 4.1. DOMENIUL DE UTILIZARE ȘI DESTINAȚIA

Ușile de garaj batante sunt destinate utilizării în clădirile rezidențiale și în dependențe.

[A000005] 5. RECOMANDĂRI DE MONTAJ

Înainte de montaj și punerea în funcțiune a ușii de garaj trebuie să citiți cu atenție indicațiile cuprinse în această instrucțiune. Trebuie urmate recomandările de montaj și utilizare a ușii de garaj ceea ce va permite montajul ei corespunzător și va garanta utilizarea de lungă durată și fără avarii a acesteia. Toate acțiunile legate de montajul ușii de garaj trebuie efectuate în ordinea descrisă.

[A000006] 6. CONDIȚIILE DE MONTAJ NECESARE

Ușa de garaj trebuie utilizată și exploatată în conformitate cu destinația acesteia. Alegerea și utilizarea ușilor în construcții trebuie să se desfășoare în baza documentației tehnice a obiectului, elaborat în conformitate cu legislația și standardele în vigoare.

[B000005] Ușile de garaj pot fi montate pe pereții din beton, executați din cărămizi sau rame din oțel. Încăperea destinată montajului ușilor de garaj trebuie să fie finisată în totalitate (pereții tencuiți, pardoseala finisată), pereții nu pot prezenta erori de executare. Încăperea trebuie să fie uscată și lipsită de substanțe dăunătoare pentru învelișurile acoperite cu lac.

Atât pereții laterali, cât și peretele frontal și buiandrugul orificiului de montaj al ușii trebuie să fie verticale și perpendiculare față de pardoseală și finisate.



Se interzice montajul ușii în încăperea în care vor fi executate lucrări de finisare (tencuire, acoperire cu gips, șlefuire, zugrăvire, etc.).

Pardoseala în zona garniturii de etanșare de jos trebuie să fie executată în parț în așa fel ca să asigure scurgerea liberă a apei. Trebuie asigurată o ventilație corespunzătoare (uscarea) a garajului.



Instalarea mecanismului de propulsare electrică a ușii garajului de către un instalator profesionist sau o persoană competentă, trebuie executată în conformitate cu Instrucțiunea de Instalare și Utilizare a mecanismului de propulsare.

[B000092] Spațiul necesar pentru montarea ușii trebuie să fie liber de toate tipurile de tuburi, țevi, etc.



- [C000184] **Se interzice deschiderea aripii ușii fără gli-soarele montate.**
- [C000230] **Se interzice transportarea ușii de garaj în poziție orizontală cu partea exterioară îndreptată în jos.**

[B000089] Condiții de siguranță

- Modalitățile de construire a instalației electrice precum și protejarea împotriva electrocutării sînt menționate în normativele corespunzătoare.
- Circuitul de alimentare a propulsiei trebuie să fie dotat dispozitiv de închidere a tensiunii, dispozitiv de protecție diferențială precum și protecție circuitelor electrice la suprasarcină.
- Instalația care alimentează poata cu curent electric trebuie să fie construită ca un circuit electric aparte.
- În primul rînd trebuie să realizați conectarea obligatorie a propulsiei la priza de pămînt.
- Pentru montarea propulsiei folosiți neapărat cablurile de la producător furnizate împreună cu propulsia.
- Instalația electrică trebuie să fie construită conform regulamentului în vigoare al țării date.
- Toate lucrările electrice pot fi realizate numai de către un instalator autorizat.

[D000368] 7. INSTRUCȚIUNEA DE INSTALARE

Funcționarea corectă a porții depinde în mare măsură de montarea corectă a acesteia. Producătorului vă sfătuiește să alegeți firme de montare autorizate. Doar instalarea corectă și întreținerea porții, realizată conform instrucției de către instituții sau persoane competente, vă pot garanta siguranța și funcționarea porții în conformitate cu destinația acesteia.

[D000369] 7.1. ORDINEA INSTALĂRII

- Des.0.2. Înainte de a începe instalarea verificați dimensiunile (lățimea, înălțimea) găurii de montare.
- Des.0.3. În caz de necesitate efectuați gaura astfel încît rama să încapă liber, făcînd posibil stabilizarea orizontală și verticală a porții pe planul găurii.
- Des.1-3. La prima etapă a instalării stabiliți poarta vertical și orizontal. Verificați corectitudinea alipirii aripei de ramă pe tot perimetrul. Dacă este nevoie, este permisibilă deviația așezării porții - pînă la 2 [mm] la fiecare 1 [m], cu condiția asigurării funcționării corecte între rama și aripa porții. În cazul frecțiunii mari dintre aripa porții și ramă, verificați perpendicularitatea șinelor pe pagul de sus al porții, (sau verificați diagonalele șinelor). Dacă condițiile sînt respectate, se permite inflexiunea brațurilor pentru a îmbunătăți funcționarea porții.
- Des.4-15. Realizați următorii pași de instalare conform desenelor.
- Des.8-9. Verificați diagonalele șinelor verticale. Montați șinele pe plafon cu ajutorul profilelor de metal pentru agățare.
- Des.4,11,12. Montați poarta folosînd dibluri pentru montaj. Numărul de dibluri este potrivit numărului de plăci de montare a porții.

- Des.13.1. După montare tăiați capetele profilelor metalice care sînt în plus, tociți capetele și protejați-le cu vopsea.
- Des.13.3. Fixați șinele orizontale pe plafon cu ajutorul a două complete de profile metalice de agățare.
- Des.16. Montarea porții cu izolatoare de perie. Demontați pragul porții și apoi fixați poarta folosînd dibluri pentru montaj. Poarta montată direct pe substrat.
- Des.I. După instalarea porții controlați corectitudinea funcționării acesteia în conformitate cu Instrucțiunea de Instalare și Folosire, în caz de necesitate realizați ajustările necesare. Verificați corectitudinea tensiunii arcului resortului și în caz de necesitate faceți ajustările corespunzătoare (lucrările de regulare pot fi efectuate doar atunci cînd poarta este deschisă și v-ați asigurat că nu va avea loc închiderea necontrolată a acesteia), cu acest scop trebuie să:
- deschideți poarta ridicînd aripa pînă la jumătate de înălțime (unghi de aprox. 45°),
 - dacă aripa cu siguranță cade, regulați în așa fel ca să măriți tensiunea arcului de resort des. nr I.II,
 - dacă aripa cu siguranță se ridică, regulați în așa fel ca să slăbiți tensiunea arcului de resort des. nr I.II.

[D000328] 7.2. MONTAJUL GREȘIT AL UȘILOR DE GARAJ

Există pericolul, că în timpul montajului ușii să se efectueze erori care pot fi evitate cu ușurință dacă se va atrage atenția asupra faptului ca:

- gli-soarele ușii să aibă diagonalele egale și să fie paralele între ele,
 - aripa ușii după închidere să fie pe diagonală,
 - distanțele laterale dintre cadru și aripa garajului să fie egale pe ambele părți,
 - toate elementele de cuplare trebuie să fie fixate corespunzător,
- Nerespectarea recomandărilor de bază enumerate mai sus poate crea dificultăți în funcționarea corespunzătoare a ușii, deteriorarea ușii iar în consecință pierderea garanției.

[A000007] 8. CERINȚE SUPPLEMENTARE

După finalizarea instalării trebuie să se verifice dacă ușa garajului este echipată cu placa CE în conformitate cu standardul, iar în cazul în care aceasta lipsește, să se monteze pe ușă placa informativă. După verificarea corectitudinii funcționării ușii trebuie transmise proprietarului Instrucțiunile de Instalare și Utilizare a ușii precum și registrul ușii de garaj dacă este necesar.

[A000008] 9. PROTECȚIA MEDIULUI**Ambalajele**

Elementele ambalajelor (carton, plastic, etc.) sunt calificate ca deșeuri reciclabile. Înainte de aruncarea ambalajelor informați-vă cu privire la reglementările juridice locale cu privire la materialul dat.

Casarea echipamentului

Produsul este compus din numeroase materiale. Majoritatea materialelor utilizate pot fi reciclabile. Înainte de aruncare, acestea trebuie separate, iar mai apoi livrate la punctul de primire a materiilor prime reciclate.



Înainte de casare informați-vă cu privire la reglementările juridice locale cu privire la materialul dat.



[A000009] Nu uitați! Reintroducerea materialelor de ambalare în circuitul materialelor economiseste materia primă și micșorează cantitatea deșeurilor.

[D000329] 10. DEMONTAREA UȘII DE GARAJ

1. Închideți și blocați ușa.
2. Demontați suporturile și gli-sierele.
3. Scoateți ușa din orificiu avînd grijă ca să fie îndreptată cu partea exterioară în sus.
4. Înainte de transport aripa trebuie protejată împotriva deschiderii necontrolate.

[D000330] 11. MENȚIUNI CU PRIVIRE LA EXPLOATARE

Condițiile de bază cu privire la exploatarea corespunzătoare a ușii care asigură funcționarea ei îndelungată și fără defecțiuni:

- în zona etanșării de jos asigurați scurgerea liberă a apei,
- ușa de garaj trebuie protejată de factorii dăunători pentru învelișurile acoperite cu lac și metale, substanțe caustice precum acizii, bazele, sărurile,
- în timpul lucrărilor de finisare a încăperii sau reparației acesteia ușa trebuie protejată de petele de tencuială, vopsele și dizolvant,
- în mod standard arcurile care închid și deschid aripa ușii sunt prevăzute pentru 10 000 de cicluri. După efectuarea de către ușa a unui anumit număr de cicluri arcurile trebuie neapărat înlocuite,
- ușile dirijate electric trebuie deschise în conformitate cu instrucțiunea livrată împreună cu echiparea electrică,

- dacă în timpul ridicării ușii se resimte o rezistență sporită trebuie verificată corectitudinea montării ușii și în cazul constatării unor nereguli, trebuie efectuate reglajele în conformitate cu instrucțiunea de montaj,
- dacă în ușa de garaj este montată o ușă de trecere se interzice ridicarea ușii de garaj în cazul în care ușa de trecere nu este închisă cu cheia.

[B000170] 12. INTERVALUL CONDIȚIILOR DE MEDIU, PENTRU CARE ESTE DESTINATĂ UȘA DE GARAJ

- Temperatura - -30° C până la +50° C
- Umiditatea relativă - max. 80% ne condensată
- Câmpurile electromagnetice - nu se referă

Se referă la ușile de garaj manuale. În cazul ușilor cu mecanism de propulsare - intervalul condițiilor de mediu a fost indicat în Instrucțiunea de Instalare și Utilizare a mecanismului de propulsare.

[A000029] 13. INSTRUCȚIUNEA DE UTILIZARE ȘI ÎNTREȚINERE

Această Instrucțiune de Instalare și Utilizare este documentația destinată proprietarului ușii de garaj.

Vă rugăm să citiți cu atenție această instrucțiune și să respectați recomandările acesteia. Aceasta conține informații necesare care garantează utilizarea și întreținerea în condiții de siguranță a ușii de garaj.

[A000010] 14. INFORMAȚII ȘI REMARCI IMPORTANTE



- Rugăm să păstrați cu grijă această instrucțiune.
- Toate acțiunile de utilizare trebuie efectuate în conformitate cu Instrucțiunea de Instalare și Utilizare a ușii.
- În timpul tuturor lucrărilor legate de inspecția și reparația ușii trebuie respectate normele de Siguranță și Igienă a Muncii precum și recomandările cuprinse în Instrucțiunea de Instalare și utilizare a ușii.
- Este interzisă modificarea subsansamblurilor sau componentelor ușii de garaj.



[B000006] Information regarding forbidden door usage

- Se interzice deschiderea aripii ușii fără glisoarele montate.
- Se interzice plasarea obiectelor în spațiul de mișcare a ușii. În timpul închiderii sau deschiderii ușii de garaj asigurați-vă că în zona de mișcare nu se află persoane sau obiecte, în special copii.
- Se interzice aflarea persoanelor sau staționarea vehiculelor sau altor obiecte în zona ușii deschise.
- Se interzice aflarea, trecerea, fuga sau intrarea în timpul deplasării ușii.
- Se interzice utilizarea ușii de garaj pentru ridicarea lucrurilor sau persoanelor.
- Nu permiteți copiilor să se joace cu instalațiile. Emițătoarele de control a ușii de garaj ar trebui să fie ținute departe de copii. Emițătoarele trebuie păstrate la loc uscat, lipsit de umezeală.
- Se interzice modificarea sau îndepărtarea oricăror elemente ale ușii de garaj! Acest lucru poate duce la deteriorarea componentelor, care asigură utilizarea ei în condiții de siguranță.
- [B000090] Se interzice montarea oricăror umpluturi sau izolare termică suplimentară a aripii porții fără acordul în scris al producătorului. Resorturile sînt ajustate exact pentru greutatea aripii porții și orice element adăugător montat pe aceasta pot cauza suprasarcină și funcționarea incorectă a porții.
- [B000093] Poarta cu propulsie electrică trebuie să fie deschisă în conformitate cu Instrucțiunea de Instalare și Folosire a propulsiei.
- [B000008] Ușa de garaj trebuie protejată de factorii dăunători pentru învelișurile acoperite cu lac și metale, substanțe caustice precum acizii, bazele, sărurile. Ușa trebuie protejată de petele de tencuială, vopsele și dizolvanți, în timpul finisării încăperii sau reparației acesteia.

[C000011] 15. INSTRUCȚIUNEA DE UTILIZARE A UȘII DE GARAJ



- **Nu blocați zona de mișcare a ușii de garaj.** Ușa de garaj se deschide vertical în sus. De aceea în calea de deschidere și închidere a ușii garajului nu se pot afla nici un fel de piedici. Trebuie să vă asigurați că în timpul deplasării ușii garajului nu se află persoane, în special copii sau obiecte.
- **Atenție! Pericol de accident.**
- [A000063] Se interzice utilizarea ușii de garaj defecte, este interzisă în special exploatarea ușii dacă a avut loc o deteriorare vizibilă a cablurilor, arcurilor de susținere, a elementelor de susținere sau a subsansamblurilor responsabile de exploatarea în condiții de siguranță a ușii de garaj.
- [B000007] Se interzice utilizarea ușii de garaj în cazul constatării oricăror defecțiuni și deteriorări în funcționarea subsansamblurilor

ușii de garaj. Trebuie întreruptă utilizarea acesteia și contactarea unui service autorizat.

[C000012] Înainte de prima deschidere a ușii de garaj trebuie verificată corectitudinea montării acesteia, în conformitate cu Instrucțiunea de Instalare și Utilizare.

Ușa de garaj este montată corect atunci când aripa ei / cortina, se deplasează fără piedici și utilizarea acesteia este ușoară.

[C000399] **Deschiderea** – ușa de garaj trebuie deschisă manual doar cu ajutorul mânerelor sau suporturilor exterioare și interioare destinate pentru aceasta. Operarea necorespunzătoare poate fi cauza unor accidente.

Închiderea – ușa de garaj trebuie închisă manual prin tragerea energică a mânerului aripii, care duce la deblocarea automată a bolțurilor de fixare a elementelor care conlucrează cu cadrul ușii.

Blocarea (lacătului) ușii de garaj – în mod standard ușile sunt echipate cu lacăte, care în cazul în care ușa nu este echipată cu sistem de acționare, poate fi blocată prin rotirea cheii cu 360 de grade în direcția opusă a mișcării acelor de ceasornic.

Deblocarea (lacătului) ușii de garaj – trebuie utilizată a cheie sau un bolț de blocare:

- din exterior – trebuie rotită cheia cu 360 de grade în direcția mișcării acelor de ceasornic,
- din interior – trebuie mișcat în sus bolțul de blocare situat în apropierea yalei lacătului, mișcând în același timp mânerul spre dreapta.

[C000088] Ușa de trecere

- Ușa de trecere poate fi deschisă doar manual prin tragerea de mâner în direcția de deschidere a ușii. Ușa trebuie deschisă și închisă cu ușurință fără bruscări, care influențează asupra durabilității, funcționalității și siguranței de utilizare a acesteia.
- Ușa de trecere este montată și reglată corect atunci când, aripa ușii se mișcă fluent și utilizarea acesteia este ușoară.
- Trebuie evitate loviturile puternice ale aripii ușii de cadru așa numita „trântire”, care poate duce la deteriorarea stratului de vopsea, crăparea geamurilor, înrăutățirea funcționării garniturilor, balamalelor, etanșărilor, deformarea aripii ușii.
- Se interzice îngreunarea aripii ușii cu sarcini suplimentare, deschiderea forțată sau lăsarea obiectelor în zona de funcționare a aripii ușii.

[C000089] Se recomandă utilizarea auto-închiderii ușii de fiecare dată pentru ușa de trecere, care trebuie utilizată exclusiv pentru auto-închiderea aripii ușii după deschiderea prealabilă manuală a acesteia.

[C000090] De fiecare dată înainte de punerea în funcțiune a ușii de garaj, trebuie să vă asigurați ca ușa de trecere este închisă. Ușa de trecere montată în ușa garajului cu mecanism de propulsare electric trebuie să fie echipată cu întrerupător de bază care să nu permită pornirea mecanismului de propulsare în cazul în care ușa este deschisă.

[C000091] Se interzice montarea unei forțe suplimentare (alta decât auto-închiderea) cu scopul de închidere sau de accelerare a închiderii aripii ușii, ceea ce duce la dereglarea sau deteriorarea auto-închiderii.



[C000209] **Se interzice introducerea oricăror obiecte între aripa ușii care se deschide sau închide, în cadrul ușii. Atenție! Pericol de accident.**

[C000050] 16. INSTRUCȚIUNEA ÎNTREȚINERILOR CURENTE

Activități care pot fi executate de către Proprietar după citirea cu atenție a instrucțiunii livrate împreună cu ușa de garaj:

[C000258] Curățați suprafața exterioară a porții cu un burete și apă curată sau cu substanțe de curățare a lacului accesibile pe piață. Nu se recomandă folosirea substanțelor de curățare care pot zgâria suprafața, folosirea obiectelor ascuțite sau a substanțelor de curățare pe bază de solvent nitro.

Cel puțin o dată la 6 luni realizați revizuirea porții, care constă în verificarea:

- Conexiunea balamalelor, rulmenții, resorturile, ungeți cu lubrifiant șinele, înainte de a porni poarta și în caz de necesitate în cursul exploatarei.
- Nu se recomandă uleiăți cilindrului încuietorii. În caz de necesitate ungeți-l cu lubrifiant.
- În timpul revizuirii trebuie să verificați elementele de susținere a porții pe zid, suruburile, rolele, în caz că observați unele incorectitudini trebuie să le lichidați imediat, înainte de a lichida mancamele folosirea porții este interzisă.
- În cazul în care observați unele incorectitudini în timp ce poarta este în mișcare sau defectarea componentelor, încetați să folosiți poarta și contactați serviciul autorizat.
- Verificați montarea propulsiei.

[B000029] Pentru curățarea gemurilor (gemulețelor, profilelor din aluminiu cu geam) trebuie utilizate țesături uscate, curate și foarte moi, de preferință din bumbac. Pot fi utilizați detergenți care nu provoacă zgârieturi, de ex. detergent de vase cu coeficient pH neutru, dar se recomandă efectuarea în pre-

alabil a testului pe o suprafață mică a geamului. Înainte de curățare geamul trebuie clătit cu apă (nu se recomandă utilizarea echipamentelor de curățare de înaltă presiune) cu scopul de îndepărtare a impurităților mici și a prafului, care pot provoca zgârirea geamului. Nu se recomandă utilizarea agenților de curățare care conțin alcool sau solvenți (produc mătuirea durabilă a suprafeței geamului).

[C000017] Activități care pot fi efectuate de către o Persoană Competentă autorizată.

[D000332] Inspecția de service a ușii de garaj trebuie efectuată cel puțin o dată la 12 luni.

Din cadrul activităților standard de întreținere fac parte:

- Verificarea tensionării arcurilor - deschideți ușa garajului ridicând aripa până la jumătatea înălțimii acesteia, unghiul de aproximativ 45°:
 - dacă aripa va cădea evident, măriți tensiunea arcurilor prin reglare, des. I.II,
 - dacă aripa se va ridica evident, micșorați tensiunea arcurilor prin reglare, des. I.II.



În caz de neefectuare a lucrărilor menționate mai sus există riscul ca aripa ușii să cadă brusc și să producă rănierea persoanelor sau să deterioreze obiectele care se află în apropierea acesteia.

- Verificați starea fixării învelișurilor de protecție a arcurilor și în caz de necesitate corectaj-le,
- Verificați dacă rulmenții de deplasare în timpul deschiderii și închiderii aripii ușii se rotesc. Dacă frânează evident sau nu se rotesc de loc, trebuie verificată starea acestora, dar în special suprafețele de deplasare. În caz de necesitate trebuie înlocuite ansamblurile întregi.
- În cadrul inspecției trebuie verificate subsansamblurile mecanice care influențează asupra siguranței și funcționării corecte a ușii de garaj. În cazul constatării oricăror defecțiuni acestea trebuie îndepărtate imediat iar subsansamblurile defecte și componentele trebuie reparate sau înlocuite.
- Verificați starea arcurilor.

[D000370] Operațiile care necesită Instalator Profesional:

Consultați cu producătorul toate schimbările sau modificările porții. Lucrările care au loc în legătură cu reviziunea periodică realizate de serviciul autorizat de producător.

- Identificarea porții, tipul porții, nr de serie.
- Verificarea însemnării porții, etichete de avertizare, în cazul lipsei acestora completați.
- Verificați piesele de conexiune ale porții: rolele ce fixează poarta pe zid, șuruburile de fixare a șinelor.
- Verificarea resorturilor precum și elementele integrale a acestora în caz că observați urme de uzare trebuie neapărat să le schimbați.
- În caz de exploatare mai mult de 12 ani sau efectuarea porții a mai mult de 10 000 de cicluri (numărul de cicluri este fixat aproximativ în baza discuției cu utilizatorul porții) - resorturile trebuie schimbate indiscutabil.
- Acordarea atenției la condiții de exploatare a porții, dacă acestea abat de la condițiile de exploatare necesare informați proprietarul porții despre posibilele consecințe (de ex. posibilitatea de avarie).

[C000232] Operații posibile de realizat în exclusivitate de către serviciul autorizat al producătorului:

- oricic schimbări ale porții,
- schimbarea resorturilor care echilibrează aripa porții,
- reparația componentelor electrice,
- reparația componentelor porții.



În timpul oricăror lucrări de întreținere și inspecții ale ușii de garaj trebuie deconectată alimentarea mecanismului de propulsare. Fixarea arcurilor de susținere a aripii ușii de garaj trebuie detensionate doar atunci când ușa este în poziția deschisă.

[A000011] Toate acțiunile de utilizare trebuie efectuate în conformitate cu Instrucțiunea de Instalare și Utilizare a ușii. Toate atenționările și recomandările trebuie transmise proprietarului în formă scrisă, de ex. notarea în registrul de raport al ușii sau în certificatul de garanție și transmis proprietarului ușii de garaj. După efectuarea inspecției confirmați efectuarea acesteia prin înscrierea în registrul de raport sau în certificatul de garanție al ușii de garaj.

[A000068] Producătorul își rezervă dreptul de efectuare a modificărilor de construcție care decurg din dezvoltarea tehnică și care nu influențează funcționalitatea produsului fără anunțarea prealabilă.

[D000334] 17. ÎNTREBĂRILE CELE MAI DES ADRESATE

Cauza	Soluția
Ușa se deschide cu greutate/ se închide brusc; aripa ușii nu este echilibrată (cade sau se deschide singură).	<ul style="list-style-type: none"> • Verificați tensionarea arcurilor - deschideți ușa până la jumătate, ușa ar trebui să rămână în această poziție. Dacă ușa va cădea evident, trebuie mărită încordarea arcurilor. Dacă ușa se va ridica evident, trebuie micșorată încordarea arcurilor.
În timpul funcționării ușii există o rezistență mare a mișcării, aripa nu se deschide ușor.	<ul style="list-style-type: none"> • Verificați dacă rulmenții de deplasare în timpul deschiderii și închiderii aripii ușii se rotesc. Dacă depun rezistență sau nu se rotesc trebuie reglați din nou și gresați. • Verificați dacă pe glisoare nu s-a depus murdărie care poate influența funcționarea greșită a ușii garajului. • Verificați montajul corect al glisoarelor (diagonala).
Lacătul nu se deschide/nu se închide/funcționare greșită a lacătului.	<ul style="list-style-type: none"> • Gresați garnitura cilindrică cu lubrifianț grafit. • Verificați modul de funcționare a bolțului de blocare, în caz de apariție a rezistenței acesta trebuie gresat. • Verificați corectitudinea de montaj a cuplajului lacătului cu bolțul de blocare. • Verificați modul de funcționare a clemei de blocare a lacătului.
Bolțul de blocare nu închide ușa până la capăt cu pocnet.	<ul style="list-style-type: none"> • Verificați modul de funcționare a bolțului de blocare în caz de necesitate gresați-l. • Verificați îmbinarea zăvorului cu lacătul ușii. Dacă va fi nevoie în cazul ușilor echipate cu cablu mărită tensiunea cablului, când ușa este echipată cu piesă de ancorare aceasta trebuie înlocuită.
Bolțul de blocare cu închide ușa până la capăt cu pocnet la ușa echipată cu mecanism de propulsare.	<ul style="list-style-type: none"> • Verificați setarea limitatorului poziției finale. • Verificați setarea microcomutatorului sau modul de lucru al ușii batante. • Verificați tensionarea cablului între lacăt și mecanismul de propulsare în caz de necesitate acesta trebuie reglat.

În caz de apariție a oricăror dubii sau dacă cauzele nu au fost depistate trebuie contactat punctul de service autorizat.

SADRŽAJ:

1. Opće informacije	47
2. Pojmovi i definicije sukladno normama	47
3. Značenje simbola	47
4. Opis konstrukcije i tehnički podaci	47
4.1. Korištenje i namjena	47
5. Preporuke za ugradnju	47
6. Traženi uvjeti za instalaciju	47
7. Upute za ugradnju	48
7.1. Redoslijed ugradnje	48
7.2. Pogreške u instalaciji vrata	48
8. Dodatni zahtjevi	48
9. Zaštita okoliša	48
10. Demontaža	48
11. Operativne napomene	48
12. Ekološki uvjeti za koje su namijenjena vrata	48
13. Upute za ugradnju i korištenje	48
14. Važne informacije i napomene	48
15. Upute za uporabu vrata	49
16. Upute za tekuće održavanje	49
17. Najčešće postavljena pitanja	51

[A000001] 1. OPĆE INFORMACIJE

Montažu i regulaciju vrata može obavljati **STRUČNA** osoba.

[D000323] Garažna dvižna vrata su namijenjena za uporabu u obiteljskim kućama.

[A000066] Ove Upute za ugradnju su dokumentacija namijenjena Profesionalnim Instalaterima ili Stručnim Osobama. Upute sadrže potrebne podatke koje jamče sigurnu ugradnju vrata.

Vrata i njihovi odvojeni sastavni dijelovi moraju biti montirani sukladno Uputama za ugradnju i korištenje isporučeni od strane proizvođača.

Za ugradnju vrata moraju se koristiti samo originalna pričvršćenja isporučena zajedno s vratima.

Prije nego što počnete montiranje trebate pročitati cijele upute. Molimo pažljivo pročitajte ove upute i pridržavajte se preporuka. Pravilan rad vrata u velikoj mjeri ovisi o njihovoj pravilnoj instalaciji.

Upute uključuju ugradnju vrata sa standardnom opremom kao i dodatnom opremom. Raspon standardne te dodatne opreme je opisan u komercijalnoj ponudi.

[B000002] Izbor pričvršćivača ovisi o vrsti i strukturi građevinskog materijala na koji će vrata biti pričvršćena. Standardni spojnici isporučeni zajedno s vratima namijenjeni su za ugradnju u čvrste materijale s kompaktnom strukturom (npr. beton, čvrsta cigla). U slučaju montaže vrata na druge materijale potrebno je promijeniti spajala, pogodna za ugradnju u materijale od kojih su napravljeni zidovi i stropovi.

[B000028] Prozorska stakla (prozorčići, aluminijski profili) izrađeni su od plastike. Prirodno svojstvo plastičnog stakla je da apsorbira vlagu iz zraka, što u promjenljivim vremenskim uvjetima može dovesti do privremenog kapanja i taloženja pare unutar stakla. Vlaženje aluminijske osovine je prirodni fenomen i ne može biti predmet reklamacije.

[A000003] Ovaj priručnik vrijedi za instalaciju nekoliko tipova vrata. Ilustrativni crteži mogu se razlikovati u detaljima provedbe. Po potrebi, ovi detalji su prikazani na zasebnim crtežima.

Ovaj priručnik sadrži neophodne informacije za osiguranje bezopasne instalacije, korištenje i pravilno održavanje vrata.

Tijekom instalacije, molimo poštujte sigurnosne propise u vezi montažnih i bravarskih poslova koji se provode uz uporabu električnih alata ovisno o tehnologiji montiranja. Također treba uzeti u obzir postojeće standarde, propise i odgovarajuću građevinsku dokumentaciju.

Za vrijeme radova vrata moraju biti zaštićena od prskanja žbuke, cementa i gipsa koja mogu ostaviti mrlje.

Upute za ugradnju i korištenje su dokumentacija namijenjena vlasniku vrata. Nakon instalacije morate je vratiti vlasniku. Upute trebaju biti zaštićene od oštećenja i pažljivo pohranjene.

Ako budete kod montaže vrata koristili komponente isporučene od strane raznih proizvođača ili dobavljača, smatrat će se da je osoba koja instalira vrata proizvođač u skladu s europskom normom EN 13241-1.

Niti jedan dio vrata ne može biti mijenjan ili uklonjen. To može oštetiti dijelove koje osiguravaju bezopasnu uporabu. Ne smije doći do promjene komponente vrata.

[C000229] Neprihvatljivo je izvršiti izmjene, npr. dodatnu izolaciju vrata.

[A000067] Pri ugradnji pogona moraju se slijediti upute proizvođača pogona i dodatne opreme. Za priključenje pogona treba koristiti jedino originalne komponente proizvođača.

[B000052] Stoga na putu otvaranja i zatvaranja vrata ne smije biti nikakvih prepreka. Pobrinite se da se za vrijeme kretanja vrata u njihovoj blizini ne nalaze ljudi, posebice djeca ili predmeti.

[A000037] 2. POJMOVI I DEFINICIJE SUKLADNO NORMAMA

Objašnjenje znakova upozorenja koji se koriste u priručniku:



Pažnja! – oznaka da se obrati pažnju na nešto.



Informacija – oznaka za važnu informaciju.



Veza – znak koji se odnosi na određenu točku u ovom priručniku instalacije.

Stručni instalater – kompetentna osoba ili jedinica koja pruža trećim osobama usluge povezane s ugradnjom vrata, uključujući i njihovo poboljšanje (prema EN 12635).

Kompetentna osoba – osoba koja je pravilno obučena, s kvalifikacijama koja proizlaze iz znanja i praktičnog iskustva, upućena u sve potrebne upute za pravilnu i sigurnu instalaciju tražene instalacije (prema EN 12635).

Vlasnik – fizička ili pravna osoba koja ima zakonsko pravo raspolagati vratima i koja je odgovorna za njezin rad i korištenje (prema EN 12635).

Knjiga izvještaja – knjiga koja sadrži glavne podatke o određenim vratima u kojoj je predviđeno mjesto gdje se mogu staviti zapisi pregleda, testiranja, održavanja, popravka ili modifikacije vrata (prema EN 12635).

[D000324] 3. ZNAČENJE SIMBOLA

So – širina rupe

Ho – visina rupe

[B000088]



– vrata s poprečnicom koja spaja horizontalne vodilice



– vrata bez poprečnice koja spaja horizontalne vodilice

[A000052]



– opcija



– ručna



– automatska

[D000367] 4. OPIS KONSTRUKCIJE I TEHNIČKI PODACI

Zaokretna kip vrata su standardno proizvedena kao garažna vrata. Detaljan raspon dimenzija i tehnički podaci se nalaze u cjenovniku. Konstrukcija je vrata izrađena od čeličnih zatvorenih galvaniziranih profila, popunjena čeličnim galvaniziranim limom, profiliranim (trapezni T-10), obloženim poliestrom. Vrata mogu imati pješačka vrata koja se otvaraju prema vani a isto tako može biti primjenjeno ostakljivanje. Kod vrata primjenjen je sustav opruga koji podržava podizanje i spuštanje krila vrata, opruge se nalaze u čahurama za zaštitu od zaglavlivanja, npr. prsta.

[D000326] 4.1. KORIŠTENJE I NAMJENA

Garažna dvižna vrata su namijenjena za uporabu u obiteljskim kućama i poslovnim prostorima.

[A000005] 5. PREPORUKE ZA UGRADNJU

Prije instalacije i puštanja vrata u pogon treba se temeljito upoznati sa smjernicama sadržanim u ovom priručniku. Obratite pažnju na preporuke koje se odnose na instalaciju i korištenje vrata što će omogućiti pravilnu montažu i osigurati dug i neometan rad. Sve aktivnosti vezane uz ugradnju vrata treba izvesti opisanim redoslijedom.

[A000006] 6. TRAŽENI UVJETI ZA INSTALACIJU

Vrata treba primjenjivati i koristiti u skladu sa svrhom. Odabir i korištenje vrata u građevinarstvu trebali bi se temeljiti na tehničkoj dokumentaciji pripremljenoj u skladu s važećim propisima i standardima.

[B000005] Vrata se mogu montirati u zidove od armiranog betona, opeka ili čeličnih okvira. Prostor u kojem će biti montirana vrata mora biti potpuno dovršen (ožbukani zidovi, gotov pod), zidovi ne smiju imati oštećenja. Soba mora biti suha i slobodna od štetnih kemijskih premaza.

Obje bočne stjenke, prednji zid i nadvratnik montažne rupe moraju biti vertikalni i okomiti na pod te završeni.



Zabranjeno je instaliranje vrata u prostorijama u kojima će se obavljati završni radovi (žbukanje, gipsanje, brušenje, bojanje i drugo).

Pod u okviru donje brtve mora biti u ispravnom horizontalnom položaju i izgrađen na način da se osigura slobodno otjecanje vode. Treba osigurati prikladnu ventilaciju (sušenje) garaže.



Instalaciju električnog pogona na vratima od strane profesionalnog montažera ili kompetentne osobe treba obaviti u skladu sa Uputama za ugradnju i korištenje pogona.

[B000092] Prostor potreban za ugradnju vrata moraju biti slobodni od svih vrsta cijevi, cijevi, itd.



- [C000184] **Zabranjeno je otvaranje krila vrata bez montiranih vodilica.**
- [C000230] **Zabranjeno je prenošenje vrata vanjskom oblogom vodoravno prema dolje.**

[B000089] Uvjeti sigurnosti

- Uvjeti za postavljanje električne instalacije kao i njezine zaštite od električnog udara su definirani u obvezujućim normama i pravnim propisima.
- Krug napajanja pogona treba biti opremljen s uređajem koji reže napon, zaštitom izmjenične struje i zaštitom od preopterećenja struje.
- Instalacija koja napaja vrata treba biti izvedena kao zaseban električni krug.
- Obvezno uzemljenje pogona mora biti izvedeno prvo po redoslijedu.
- Za montažu pogona treba koristiti žice koje je proizvođač isporučio zajedno s pogonom.
- Električna instalacija mora biti izvedena sukladno obvezujućim državnim propisima.
- Sve električne radove može izvesti jedino ovlašten instalater.

[D000368] 7. UPUTE ZA UGRADNJU

Pravilan rad vrata u velikoj mjeri ovisi o njihovoj pravilnoj ugradnji. Proizvođač preporučuje ovlaštene tvrtke koje vrše ugradnju. Samo pravilna ugradnja i održavanje izvedeno prema uputama od strane stručnih jedinica ili osoba mogu osigurati siguran i sukladan predviđenom rad vrata.

[D000369] 7.1. REDOSLIJED UGRADNJE

- Slika 0.2. Prije početka ugradnje treba provjeriti dimenzije (širina i visina) instalacijskog otvora.
- Slika 0.3. Po potrebi treba podesiti otvor tako da bi dovratnik komotno ulazio u njega ostavljajući prostor za horizontalno i vertikalno niveliranje vrata u ravni otvora.
- Slike 1-3. U prvoj fazi instalacije vrata treba namjestiti vertikalno i horizontalno. Treba provjeriti da li krilo pravilno pristaje cijelom opsegu dovratnika. Ako postoji potreba, dopušteno je odstupanje u podešavanju vrata - do 2 [mm] na 1 [m] pod uvjetom osiguranja pravilne suradnje krila i dovratnika. U slučaju prejakog trenja krila o dovratnik treba provjeriti okomitost vodilica u odnosu na nadvratnik, (ili provjeriti dijagonalu vodilica). Ako su uvjeti ostvareni, dopušteno je savijanje grana da bi se popravio rad vrata.
- Slike 4-15. Treba pazorno izvesti sljedeće korake instaliranja koje su ilustrovane slikama.
- Slike 8-9. Provjeriti dijagonale horizontalnih vodilica. Montirati vodilice na strop uz pomoć ovesnih montažnih spojnica.
- Slike 4,11,12. Ugrađivati vrata pomoću montažnih tipla. Količina tipla odgovara količini montažnih limova vrata.
- Slika 13.1. Nakon montaže treba odsjeći dijelove koje strše, otupiti sečne bridove a ostatak brida zaštititi bojom.
- Slika 13.3. Pričvršćivanje horizontalnih vodilica na strop pomoću dva kompleta ovesnih montažnih spojnica.
- Slika 16. Ugradnja vrata s izolacionom čelkom. Odstraniti prag vrata i nakon toga ugraditi vrata koristeći tiplje za montažu. Vrata se montiraju izravno na podlozi.
- Slika I. Nakon završetka instalacije treba provjeriti pravilnost rada vrata sukladno Uputama za ugradnju i korištenje, po potrebi izvesti neophodna podešavanja. Provjeriti pravilan napon opruga i podesiti ih prema potrebi (podešavanje vrata može se izvesti jedino kad su vrata u potpunosti otvorena i zaštićena od nekontroliranog zatvaranja), u tu svrhu treba:
- otvoriti vrata podižući krilo do pola visine (kut krila oko 45°),
 - ako krilo očito padne, povećati napon opruga podešavajući ih slike br. I.II,
 - ako se krilo očito uzdiže, smanjiti napon opruga podešavajući ih slike br. I.II.

[D000328] 7.2. POGREŠKE U INSTALACIJI VRATA

Postoji opasnost da se napravi pogreške tijekom montaže vrata, koje možete jednostavno izbjeći pazeći da:

- vodilice na vratima imaju dijagonalu i su međusobno paralelni
- krilo vrata poslije zatvaranja ima dijagonalu
- bočni razmaci između krila vrata i okvira su jednaka s obje strane
- svi spojni elementi su pravilno zategnuti.

Nepoštivanje gore navedenih osnovnih uputa može uzrokovati poteškoće u pravilnom održavanju vrata, oštećenja vrata i stoga gubitak garancije.

[A000007] 8. DODATNI ZAHTJEVI

Nakon instalacije provjerite jesu li vrata opremljena u tipsku pločicu CE prema normi, a u slučaju njezinog nedostatka opremite vrata potrebnom tipskom pločicom. Nakon provjere pravilnog rada vrata predati vlasniku Upute za ugradnju i korištenje i knjigu vrata, ako je potrebno.

[A000008] 9. ZAŠTITA OKOLIŠA

Ambalaža

Ambalažni dijelovi (karton, plastika, itd.) su klasificirani kao otpad pogodan za recikliranje. Prije bacanja ambalaže u smeće primijeniti lokalne zakonske propise u odnosu na vrstu materijala.

Zbrinjavanje opreme

Proizvod se sastoji od više različitih materijala. Većina korištenih materijala je pogodna za recikliranje. Prije odbacivanja grupirajte ih, a nakon toga dostavite na odlagalište.



Prije zbrinjavanja primijeniti lokalne zakonske propise koji se odnose na različite vrste materijala.



[A000009] Sjeti se! Povrat ambalaže u cirkulaciji materijala štedi resurse i smanjuje otpad.

[D000329] 10. DEMONTAŽA

1. Zatvorite i zariglajte vrata.
2. Uklonite vješalice i vodilicu.
3. Povucite vrata iz rupe pazeći da je obloga vrata prema gore.
4. Prije transporta krilo vrata mora biti zaštićeno od nekontroliranog otvaranja.

[D000330] 11. OPERATIVNE NAPOMENE

Osnovni uvjeti za pravilnu uporabu vrata koji osiguravaju dugotrajan, neometan rad:

- u okviru donje brtve osigurati slobodni odvod vode,
- Zaštitite vrata od agresivnih i nagrizujućih sredstava, kao npr. od reakcija salitre iz kamena ili žbuke, kiseline, lužine, soli za posipanje cesta, agresivnih premaza ili brtvi,
- Vrata moraju biti zaštićena od prskanja žbuke, boje i otapala za vrijeme završnih radova ili remonta,
- standardne opruge za uravnoteženje težine krila vrata odabrani su za 10 000 ciklusa. Nakon određenog broja ciklusa neophodno je zamijeniti opruge,
- vrata s električnim upravljanjem treba otvarati sukladno uputama dostavljenim sa električnom opremom,
- ako tijekom podizanja vrata postoje suvišni otpori, treba provjeriti da li su vrata pravilno ugrađena i u slučaju nepravilnosti, obavite ispravak prema uputama ugradnje,
- ako u vratima su monitorana prelazna vrata, zabranjeno je podizanje vrata u slučaju kada prolazna vrata nisu zaključana.

[B000170] 12. EKOLOŠKI UVJETI ZA KOJE SU NAMIJENJENA VRATA

- Temperatura - -30° C do +50° C
 - Relativna vlažnost - max. 80% ne kondenzirana
 - Elektromagnetsko polje - ne odnosi se
- Odnosi se na ručna vrata u slučaju vrata s pogonom – ekološki uvjeti su navedeni u Uputama za ugradnju i korištenje.

[A000029] 13. UPUTE ZA UGRADNJU I KORIŠTENJE

Ove Upute za ugradnju i korištenje su namijenjene vlasniku vrata. Molimo pročitajte ove upute pažljivo i pridržavajte se njegovim preporukama. Sadrže potrebne informacije za sigurnu uporabu, korištenje i održavanje vrata.

[A000010] 14. VAŽNE INFORMACIJE I NAPOMENE



- Molimo vas da pažljivo čuvate ove upute.
- Sve poslove održavanja treba obavljati sukladno Uputama za ugradnju i korištenje vrata.
- Za sve poslove vezane za remont i popravak vrata treba poštovati sigurnosne propise zdravstvenih i sigurnosnih pravila i preporuke sadržane u Uputama za ugradnju i korištenje.

- Ne mijenjajte niti uklanjajte pojedine dijelove.



[B000006] **Zabranjene upotrebe vrata**

- Ne otvarajte vrata bez stalnih tračnica.
- Zabranjeno je ometati prostor vrata. Pazite da se za vrijeme rada vrata u njihovoj blizini ne nalaze ljudi, posebice djeca ili predmeti.
- Zabranjen je boravak ljudi, vozila ili drugih predmeta ispod otvorenih vrata.
- Zabranjeno je da se boravi, prelazi, trči ili putuje kolima ispod pokretajućih vrata.
- Zabranjeno je koristiti vrata za dizanje predmeta ili ljudi.
- Nemojte dopustiti djeci da se igraju s uređajima. Daljinske upravljače treba držati podalje od djece. Daljinske upravljače pohranite na suhim mjestima bez vlage.
- Ne mijenjajte niti uklanjajte pojedine dijelove! Time biste mogli izbaciti iz funkcije važne sigurnosne dijelove!
- [B000090] Zabranjeno je montiranje bilo kakvih dodatnih popunjavanja ili toplinskih izolacija krila bez pisane suglasnosti proizvođača. Opruge su točno prilagođene masi krila vrata i svi dodatni elementi montirani na njemu mogu izazvati preopterećenje i nepravilan rad vrata.
- [B000093] Garažna vrata s elektropogonom otvarati u skladu s Uputama za instaliranje i rukovanje pogona.
- [B000008] Zaštitite vrata od agresivnih i nagrizajućih sredstava, kao npr. od reakcija salitre iz kamena ili žbuke, kiseline, lužine, soli za posipanje cesta, agresivnih premaza ili brtvi. Vrata moraju biti zaštićena od prskanja žbuke, boje i otapala za vrijeme završnih radova ili remonta.

[C000011] **15. UPUTE ZA UPORABU VRATA**



- **Ne ometati područja vrata.** Vrata se otvaraju okomito gore. Stoga, na putu otvaranja ili zatvaranja vrata ne može biti nikakvih prepreka. Pazite da se za vrijeme rada vrata u njihovoj blizini ne nalaze ljudi, posebice djeca ili predmeti.
- **Pažnja! Opasnost od nesreće.**
- [A000063] Ne smijete koristiti neispravna vrata, osobito u slučaju ako je vidljivo oštećenje konopa, opruge za uravnoteženje, visećih komponenti ili sastavnih dijelova odgovornih za ispravan rad vrata.
- [B000007] Nemojte koristiti vrata u slučaju bilo kakvih kvarova ili oštećenja sastavnih komponenta vrata. Njihova uporaba mora tada biti zaustavljena, a vi se obratite ovlaštenom servisu.

Prije prvog otvaranja vrata, treba provjeriti ispravnost njihovih instalacija u skladu s Uputama za ugradnju i korištenje.

Vrata su montirana pravilno ako se njihovo krilo/zavjesa kreće glatko i ako je njihov rad jednostavan.

[C000399] **Otvaranje** - garažna vrata treba otvarati ručno isključivo pomoću kvaka ili u tu svrhu namijenjenih vanjskih ili unutarnjih rukohvata. Nepravilno rukovanje može prouzročiti nesreću.

Zatvaranje - garažna vrata zatvarati ručno energično gurajući kvaku na vratnom krilu, što će izazvati automatsko premještanje zasuna (blokada) iza odgovarajućih elemenata dovratnika.

Zaključavanje (brave) garažnih vrata - standardno su garažna vrata opremljena bravama koja, u slučaju kada vrata nema pogon, može se zaključiti okretanjem ključa za 360 stupnjeva u smjeru suprotnom od smjera kazaljke na satu.

Otključavanje (brave) garažnih vrata - pomoću ključa ili zasuna blokade:

- izvana - okrenuti za 360 stupnjeva u smjeru kazaljke na satu,
- iznutra - povući gore zasun blokade koji se nalazi pored uloška brave i istovremeno okrenuti kvaku udesno.

[C000088] **Prolazna vrata**

- Prolazna vrata mogu se otvoriti samo ručno povlačenjem ručice u pravcu otvaranja vrata. Vrata treba otvarati i zatvarati glatko, bez naglih trzaja koji mogu nepovoljno utjecati na trajnost, funkcionalnost i sigurnost vrata.
- Prolazna vrata su opremljena i prilagođena ispravno kada se krilo kreće glatko i kada je njihov rad jednostavan.
- Izbjegavajte snažna povlačenja vrata na njihov okvir, odnosno „lupanje“, koji mogu izazvati oštećenje boje, lom stakla, pogoršanje funkcioniranja zakovica, spojeva, brtvi, iskrivljenje krila vrata.
- Zabranjeno je stavljanje dodatnih tereta na krilo, presnažno otvaranje i ostavljanje predmeta u granicama rada krila vrata.

[C000089] Svaki put se za prolazna vrata preporučuje koristiti automatski zatvarač, koji treba koristiti samo za automatsko zatvaranje vrata nakon njihovog ručnog otvaranja.

[C000090] Svaki put prije pokretanja vrata provjerite jesu li prolazna vrata zatvorena. Prolazna vrata montirana u vratima s električnim pogonom moraju biti opremljena s graničnom sklopkom koja sprečava pokretanje pogona kada vrata su otvorena.

[C000091] Zabranjeno je koristiti dodatnu snagu (osim automatskog zatvarača) da se ubrza zatvaranje ili zatvori do kraja krilo vrata što može dovesti do štete ili kvara automatskog zatvarača.



[C000209] **Nemojte stavljati bilo kakve predmete između krila i okvira vrata za vrijeme zatvaranja ili otvaranja. Pažnja! Opasnost od nesreće.**

[C000050] **16. UPUTE ZA TEKUĆE ODRŽAVANJE**

Operacije koje može napraviti vlasnik vrata nakon pažljivog čitanja Uputa za ugradnju i korištenje koje je dobio zajedno sa vratima.

[C000258] Površinu vanjskog krila vrata prati spužvom i čistom vodom ili dostupnim u prodaji sredstvima za čišćenje laka. Ne smiju se koristiti sredstva za čišćenje koja mogu ogrebat površinu, oštri alati ili sredstva za čišćenje na bazi nitro otapala.

Najmanje jednom na 6 mjeseci se mora izvršiti pregled vrata tijekom kojeg treba:

- Šarke, kotačiće, opruge, vodilice podmazati mazivom prije početka rada vrata i prema potrebi tijekom rada.
- Ne smije se podmazivati uljem cilindrični uložak za bravu. U slučaju potrebe treba ga podmazati mazivom.
- Tijekom pregleda treba provjeriti elemente koje pričvršćuju vrata na zid, vijke, vodne kotačiće, u slučaju bilo kakvih nepravilnosti treba ih neophodno ukloniti, prije uklonjena nepravilnosti korištenje vrata je nedopustivo.
- U slučaju bilo kakvih nepravilnosti u radu ili kvaru elemenata vrata, treba prekinuti njihovo korištenje i kontaktirati ovlašten servis.
- Provjeriti pričvršćenje pogona.

[B000029] Za čišćenje stakla na ostakljenim površinama (prozorčići, aluminijski ostakljeni profili) koristite suhu, čistu i vrlo mekanu, po mogućnosti pamučnu tkaninu. Možete koristiti sredstva za čišćenje koja ne grebu površinu npr. tekući deterđent za pranje posuda s neutralnim pH, ali preporučuje se ranije ispitivanje sredstva na malom području stakla. Prije čišćenja staklo treba temeljito isprati vodom (ne preporučuje se korištenje opreme za čišćenje pri visokom pritisku) radi uklanjanja prljavštine i prašine koje mogu izgresti površinu stakla. Ne preporučuje se korištenje sredstava za čišćenje koja sadrže alkohol ili otapala (izazivaju trajno matiranje površine stakla).

[C000017] **Poslove koje može obaviti kompetentna osoba koja ima odgovarajuće dozvole.**

[D000332] Servisni pregled vrata treba obaviti barem jednom svakih 12 mjeseci. Standardni poslovi održavanja uključuju:

- Provjeriti nategnutost opruga - otvoriti vrata podizanjem krila do pola visine, kut krila oko 45°:
 - Ukoliko se vrata značajno spuštaju naniže, povećajte nategnutost zateznih opruga pomoću regulacije, crtež broj I.II,
 - Ukoliko se vrata značajno povlače naviše, spustite nategnutost zateznih opruga pomoću regulacije, crtež broj I.II.



Ako ne obavite gore navedene radnje, postoji opasnost da krilo naglo padne i ozlijedi ljude koje se nalaze u blizini ili uzrokuje štetu na imovini.

- Provjeriti stanje pričvršćenosti štitnika opruge i ispraviti ako je potrebno.
- Provjerite kreću li se kotači za vrijeme otvaranja i zatvaranja vrata. Ako se valjci ne opiru ili ne okreću uopće, treba provjeriti njihovo stanje, a posebno površinu na kojoj se okreću. Ako je potrebno zamijeniti cijeli mehanizam.
- Tijekom pregleda treba provjeriti mehaničke dijelove koji utječu na siguran i učinkovit rad vrata. U slučaju bilo kakvih kvarova bezuvjetno treba je ukloniti i neispravne dijelovi sustava popraviti ili zamijeniti.
- U slučaju montaže pogona treba blokirati okove na vratima u otvorenom položaju.
- Provjeriti stanje opruga.

[D000370] **Radnje koje zahtijevaju Stručnog Instalatera:**

Sve preinake i izmjene vrata dogovoriti s proizvođačem. Djelokrug poslova koji su obuhvaćeni povremenim pregledom vrata obavljanim od strane ovlaštenog servisa proizvođača.

- Identificirati vrata, vrstu vrata, serijski broj.
- Provjeriti označavanje vrata, oznake upozorenja, u slučaju njihovog nedostataka, treba je dopuniti.
- Provjeriti pričvršne dijelove korištene s vratima: pričvršne klinove za zid, vijke koje pričvršćuju vodilice.

- Provjeriti opruge i elemente koje s njima surađuju, u slučaju pojavljivanja očitih tragova istrošenosti treba neophodno zamijeniti ove elemente.
- U slučaju uporabe više od 12 godina ili kad vrata izvrše više od 10 000 ciklusa (količinu ciklusa treba procijeniti na temelju razgovora z vlasnikom vrata) - opruge treba neophodno zamijeniti.
- Obratite pažnju na uvjete u kojima rade vrata, ako se ovi uvjeti razlikuju od traženih uvjeta korištenja, treba obavijestiti vlasnika o mogućim posljedicama (npr. mogućnost kvara).

[C000235] **Radnje koje mogu biti izvršene isključivo od strane ovlaštenog servisa proizvođača**

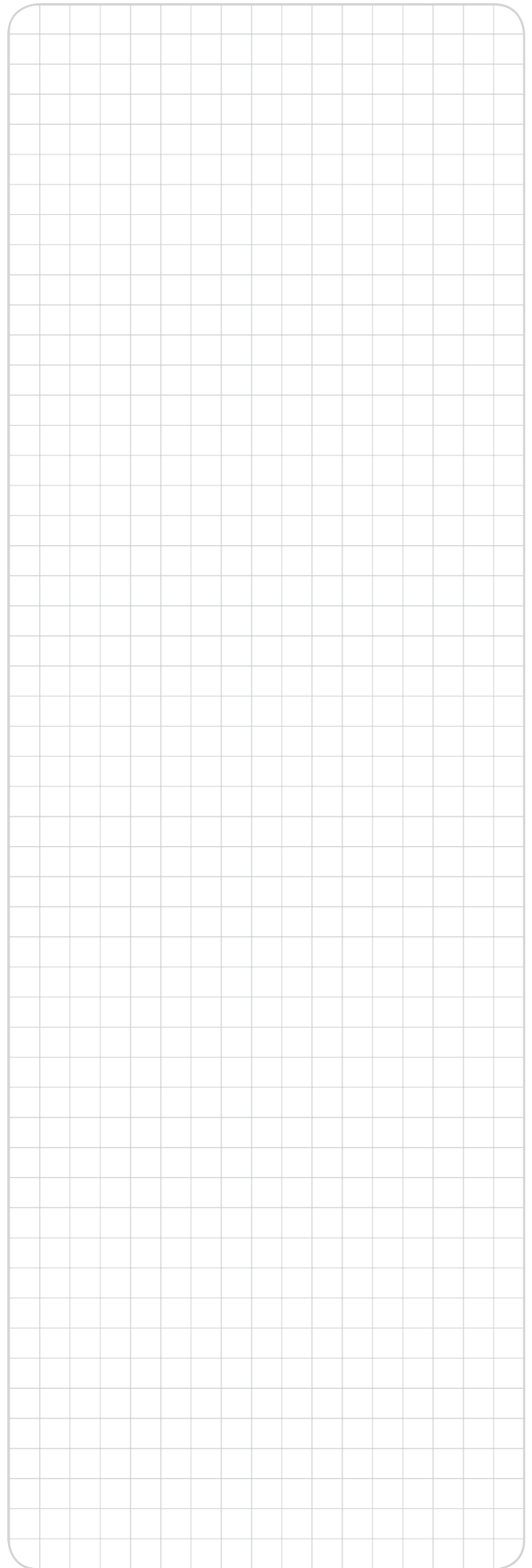
- sve preinake vrata,
- zamijena opruga gurajućih krilo vrata,
- popravke električnih elemenata,
- popravke elemenata vrata.



Za vrijeme svih radova održavanja i pregleda vrata isključite pogon. Oslobođenje opruga za balansiranje opterećenja na krilu vrata od napetosti, mora biti obavljeno samo kada su vrata otvorena.

[A000011] Sve poslove provesti sukladno ovim Uputama za ugradnju i korištenje vrata. Sve komentare i preporuke predati vlasniku u pisanom obliku, na primjer zabilježiti u knjizi izvještaja o vratima ili u jamstvenom listu i poslati vlasniku vrata. Nakon izvršenja privremenog pregleda potvrditi ovo izvršenje upisom u knjizi izvještaja ili u jamstvenom listu.

[A000068] **Proizvođač zadržava pravo vršenja konstrukcijskih promjena koje proizlaze iz tehnološkog napretka bez promjene funkcionalnosti proizvoda i bez prethodne obavijesti. Dokumentacija je vlasništvo proizvođača. Kopiranje, reprodukcija i upotreba u cijelosti ili djelomično bez pisanog dopuštenja je zabranjena.**



[D000334] 17. NAJČEŠĆE POSTAVLJANA PITANJA

Uzroci	Rješenje
Vrata se teško otvaraju/ naglo se otvaraju, krilo vrata nije uravnoteženo (ili pada ili se samostalno otvara).	<ul style="list-style-type: none"> • Provjerite napetost opruga - otvorite vrata do pola visine, vrata trebaju ostati u tom položaju. Ako vrata očito padaju, treba povećati napetost opruga. Ukoliko se vrata značajno povlače naviše, spustite zategnutost zateznih opruga pomoću regulacije.
Tijekom rada na vratima postoji veliki otpor u pokretanju, krilo se ne otvara glatko.	<ul style="list-style-type: none"> • Provjerite rotiraju li se valjci za vrijeme otvaranja i zatvaranja vrata. • Ako se opiru ili uopće ne kreću, treba ih ponovo podesiti i podmazati. • Provjerite da u vodilicama nema zagađenja koje može utjecati na pogrešan rad vrata. • Provjerite pravilnu montažuvodilica (dijagonala).
Brava se na otvara/ne zatvara/ pokvareni rad brave.	<ul style="list-style-type: none"> • Podmazati cilindricni uložak. • Provjeriti rad okova, u slučaju bilo kakvih otpora podmazati. • Provjerite pravilnu ugradnju priključka brave s okovom. • Provjerite rad blokirajućeg zasuna u bravi.
Rigla ne zaključuje vrata.	<ul style="list-style-type: none"> • Provjeriti rad okova, u slučaju bilo kakvih otpora podmazati. • Provjeriti priključak zatvarača s bravom vrata. Ako je potrebno u vratima opremljnim konopcom, povećajte zategnutost, kada su vrata opremljena prijenosnikom zamijeniti prijenosnik.
Rigla ne zaključuje vrata u vratima s pogonom.	<ul style="list-style-type: none"> • Provjeriti položaj postavke graničnih sklopki. • Provjeriti položaj postavke mikroprekidača u tijek rada dviznih vrata. • Provjeriti napetost žice između brave i pogona i ako je potrebno popraviti.

U slučaju bilo koje sumnje ili ako uzroci nisu nestali, obratite se ovlaštenom servisnom centru.

INDHOLD:

1. Generelt	52
2. Begreber og definitioner iht. EN 12635	52
3. Symbolforklaring	52
4. Konstruktion og tekniske data	52
4.1. Formål og anvendelse	52
5. Monteringsanbefalinger	52
6. Monteringskrav	52
7. Monteringsvejledning	53
7.1. Fremgangsmåde ved montering	53
7.2. Fejl ved montering af porten	53
8. Yderligere krav	53
9. Miljømæssige foranstaltninger	53
10. Demontering af porten	53
11. Driftsmæssige foranstaltninger	53
12. Miljøforhold, porten er berettiget til	53
13. Betjenings- og vedligeholdelsesvejledning	53
14. Vigtige oplysninger og bemærkninger	53
15. Betjening af porten	54
16. Regelmæssig vedligeholdelse	54
17. Ofte stillede spørgsmål	55

[A000001] 1. GENERELT

Montering og justering af porten skal som minimum udføres af en KOMPETENT person.

[D000323] Garagevippeporten er beregnet for anvendelse i enfamiliehuse.

[A000066] Denne monteringsvejledning er beregnet til kvalificerede montører og kompetente personer. Vejledningen indeholder de oplysninger, der er nødvendige for at kunne montere porten på sikker og forsvarlig vis.

Porten og dens separate komponenter skal monteres i overensstemmelse med producentens monterings- og betjeningsvejledning.

Ved montering af porten må der kun bruges de originale medsendte monteringskomponenter.

Læs hele vejledningen igennem før montagen påbegyndes. Læs denne vejledning grundigt og følg de heri angivne anvisninger. Portens korrekte drift afhænger i høj grad af dens korrekte montering.

Denne vejledning omfatter montering af porten med standardudstyr og ekstraudstyr. Alt standard- og ekstraudstyr er beskrevet i salgstilbuddet.

[B000002] Valg af fastgørelsesmaterialer afhænger i høj grad af typen og strukturen af det underlag porten skal fastgøres til. Som standard medfølger der søm-dybler, der er beregnet til fastgørelse af porten til vægkonstruktioner i massivt murværk (f.eks. beton eller massiv mursten). Hvis porten skal monteres i andet materiale, skal montøren bruge fastgørelser, der passer til det materiale, væggene og loftet er bygget af, og følge producentens anvisninger vedrørende valg af fastgørelsesmaterialer.

[B000028] Ruder i vinduesektioner (vinduer, aluprofiler med vinduer) er udført i kunststof. Kunststofruder har en naturlig evne til at optage fugt fra luften, hvilket i omskiftelige vejrforhold kan føre til midlertidig kondensering ind i vinduesektionerne. Forekomst af kondens på aluprofiler er en naturlig proces og kan ikke gøres gældende som garantikrav.

[A000003] Monteringsvejledningen dækker flere typer af porte. Forklarende tegninger kan variere i udførelsesdetaljer. Hvor dette er nødvendigt, vil detaljerne vises på separate tegninger.

Vejledningen indeholder de oplysninger, der er nødvendige for at kunne montere, betjene og vedligeholde porten på sikker og forsvarlig vis.

Ved montering af porten er det vigtigt, at gældende sikkerhedsregler vedrørende installations- og smedearbejde samt arbejder med elværktøjer overholdes, og at der tages hensyn til de gældende normer, forskrifter og den relevante byggedokumentation. Ved renoveringsarbejder skal porten beskyttes mod sprøjt af mørtel, cement eller gips, da de kan føre til beskadigelser af overfladen.

Monterings- og betjeningsvejledningen er beregnet til portens ejer. Når porten er færdigmonteret, skal vejledningen overgives til ejeren, som skal sørge for at den opbevares på et forsvarligt og sikkert sted.

Hvis der ved montering af porten anvendes elementer fra forskellige producenter eller leverandører, skal den, der foretager montering, anses for at være portens producent i henhold til den europæiske standard EN 13241-1.

Der må ikke foretages uautoriserede ombygninger eller modifikationer på portens komponenter, da dette kan sætte vigtige sikkerheds-elementer ude af drift. Der må under ingen omstændigheder foretages ændringer på portens delselementer.

[C000229] Der må ikke foretages ombygninger eller modifikationer på portens komponenter, såsom f.eks. varmeisolering af portbladet.

[A000067] Ved montering af automatikken skal der overholdes anvisninger fra producenten af automatikken og tilbehør. Automatikken skal tilsluttes udelukkende med de originale komponenter der er leveret af producenten.

[B000052] Portens bevægelsesområde skal holdes frit. Portens åbnings- og lukningsområde skal være frit for forhindringer af enhver art. Der skal sørges for, at der ikke befinder sig personer, specielt børn eller genstande, inden for portens bevægelsesområde.

[A000037] 2. BEGREBER OG DEFINITIONER IHT. EN 12635

Anvendte advarselshenvisninger:



Bemærkt! – angiver de oplysninger, der skal lægges mærke til.



Vigtigt – angiver vigtige oplysninger.



Henvisning – henviser til en bestemt afsnit i monteringsvejledningen.

Kvalificeret montør - en kompetent person eller organisation, som tilbyder portinstallations-tjenester for tredje parter, inklusiv opgradering (iht. EN 12635).

Kompetent person – en person, som har modtaget passende oplæring til at opnå den nødvendige viden og praktiske erfaring og som har modtaget de nødvendige instruktioner, som muliggør, at den nødvendige installation udføres på korrekt og sikker vis (iht. EN 12635).

Ejer – en fysisk eller juridisk person, der har beføjelser til råde over porten og tager ansvar for dens drift og anvendelse (iht. EN 12635).

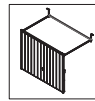
Rapportbog – en bog med hoveddata om den pågældende port og med plads til bemærkninger vedrørende kontrol, tests, vedligeholdelse og alle reparationer eller modifikationer der foretages på porten (iht. EN 12635).

[D000324] 3. SYMBOLFORKLARING

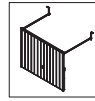
So – åbningens bredde

Ho – åbningens højde

[B000088]



– port med tværstang mellem vandrette skinner



– port uden tværstang mellem vandrette skinner

[A000052]



- ekstraudstyr



- manual



- automatisk

[D000367] 4. KONSTRUKTION OG TEKNISKE DATA

Vippeporte er som standard udført som garageporte. For detaljerede mål og tekniske data henvises til prislisen. Porten er opbygget af lukkede zinkbelagte stålprofiler og fyldt med forzinket profileret stålplader (trapez T-10) med polyestergrundbelægning. Portene kan leveres med en integreret gangdør i portbladet, der åbner udad, og vinduesektioner. Portene er forsynet med et trækfjedersystem, der gør det lettere at løfte og sænke portbladet. Fjederne er beskyttede med manchetter som sikring mod bl.a. fingerklemning.

[D000326] 4.1. FORMÅL OG ANVENDELSE

Garage vippeporte er beregnet for anvendelse i private bygninger og teknikum.

[A000005] 5. MONTERINGSANBEFALINGER

Læs hele vejledningen grundigt igennem før påbegyndelse af montering og ibrugtagning af porten. Følg de i monterings- og betjeningsvejledningen angivne anvisninger for at kunne sikre en korrekt montering samt mangeårig og pålidelig drift af porten. De enkelte monteringskridt skal gennemføres i den angivne rækkefølge.

[A000006] 6. MONTERINGSKRAV

Porten skal anvendes og bruges i overensstemmelse med formålet. Valg og anvendelse af porte i bygge og anlægsmæssige opgaver bør foregå på baggrund af en bygnings tekniske dokumentation, udarbejdet i henhold til de gældende forskrifter og standarder.

[B000005] Portene kan fastgøres til stålbetonvægge, murstenvægge eller stålkarmer. Det rum, hvor porten skal monteres i, skal være færdiggjort (vægge færdigpudsede, gulve med færdig belægning på), og væggene må være frie for eventuelle udførelsesfejl. Rummet skal være tørt og fri for kemiske stoffer der er skadelige for lakerede og malede overflader.

Sidevæggene, frontvæggene og portåbningens overkant skal være færdiggjort, lodrette og vinkelrette i forhold til gulvet.



Det er forbudt at montere porten i et rum, hvor der stadig skal udføres afsluttende arbejder såsom f.eks. pudsning, spartling, slibning eller maling.

Porten fornedet skal gulvet være nivelleret og udført på en sådan måde, at der kan sørges for tilstrækkelig vandafløb og ventilation (tørring) i garagen.



Portens automatik skal monteres af en kvalificeret installatør eller en kompetent person i overensstemmelse med automatikkens monterings- og betjeningsvejledning.

[B000092] Den plads, der kræves til montering af doren skal være fri for alle former for rør, slanger, etc.



- [C000184] **Det er forbudt at åbne porten uden fastgjorte førings Skinner.**
- [C000230] **Det er forbudt at transportere porten i vandret stilling med den udvendige overflade rettet nedad.**

[B000089] Sikkerhedsanvisninger

- Regler for udførelse af elektriske installationer og beskyttelse mod elektrisk stød er fastsat i gældende normer og retsfor skrifter.
- Automatikkens forsyningskredsløb skal være forsynet med en strømafbryder, en fejlstrømsafbryder og en sikring, der afbryder en overbelastende strøm.
- Portens forsynings system skal være udført som et separat elektrisk kredsløb.
- Påkrævet jordforbindelse af motoren skal udføres først.
- Motoren skal tilsluttes med de af producenten leverede ledninger.
- Den elektriske installation skal udføres i overensstemmelse med de nationale bestemmelser.
- Alle elektriske arbejder må kun foretages af en uddannet elektriker.

[D000368] 7. MONTERINGSVEJLEDNING

Portens korrekte drift afhænger i høj grad af dens korrekte montering. Producenten anbefaler at bruge autoriserede monteringsfirmaer. Korrekt montering og vedligeholdelse udført af certificerede personer eller enheder i overensstemmelse med denne vejledning er en forudsætning for at sikre, at porten kan betjenes på sikker og forsvarlig vis.

[D000369] 7.1. FREMGANGSMÅDE VED MONTERING

- Fig.0.2. Før monteringen påbegyndes skal portåbningens mål (bredde og højde) kontrolleres.
- Fig.0.3. Færdiggør om nødvendig portåbningen således, at portens ramme sidder løst i åbningen og at der stadig er rum for justering af porten horisontalt og vertikalt i åbningens plan.
- Fig.1-3. Sæt porten ind og juster til den er i vater og lod. Kontroller at portbladet passer godt til hele rammens omkreds. Om nødvendig kan accepteres en afvigelse på op til 2 [mm] pr. 1 [m], forudsat at portbladet og rammen passer godt sammen. Hvis portbladet gnider for meget mod rammen, kontroller at førings Skinnerne er vinkelrette i forhold til portens overkant (evt. kontroller skinnernes diagonaler). Hvis ja, så kan armene bøjes lidt for at forbedre portens bevægelse.
- Fig.4-15. Udfør forsigtigt næste trin som vist på tegningerne.
- Fig.8-9. Kontroller diagonaler på de vandrette skinner. Fastgør skinnerne til loftet med ophængsbeslag.
- Fig.4,11,12. Monter porten ved hjælp af monteringsbolte. Antal bolte er tilpasset antallet monteringsplader.
- Fig.13.1. Afskær de fremtrædende dele af ophængsbeslagene efter udført montering. Skærekanterne glattes og den nye kant lakeres.
- Fig.13.3. De vandrette skinner fastgøres til loftet med to sæt ophængsbeslag.
- Fig.16. Montering af porten med børsteprofil. Afmonter portens bundprofil og fastgør porten med monteringsbolte. Porten monteres direkte på underlag.
- Fig.1. Når porten er færdigmonteret, skal det kontrolleres, at den fungerer i overensstemmelse med monterings- og betjeningsvejledningen, og indstilles om nødvendigt. Det skal kontrolleres at portens trækfjederspænding er korrekt, og indstilles om nødvendig (portens justering må kun udføres når porten er fuldstændigt åbnet og beskyttet mod utilsigtet lukning). Sådan gøres det:
 - åbn porten ved at løfte portbladet halvt op (åbningsvinkel ca. 45°),
 - hvis portbladet synker tydeligt ned, forøg trækfjederspændingen (Fig. I.II),
 - hvis portbladet trækker tydeligt op, slæk trækfjederspændingen (Fig. I.II).

[D000328] 7.2. FEJL VED MONTERING AF PORTEN

For at undgå fejl ved monteringen af porten, sørg altid for at:

- portens skinner har en diagonal og er parallel med hinanden;
- portbladet har en diagonal i sin lukkede stilling;
- den frie bredde mellem rammen og portbladet er ens på begge sider;
- alle koblinger er korrekt tilkoblede.

Tilsidesættelse af de ovennævnte anbefalinger kan vanskeliggøre den korrekte drift af porten, forårsage beskadigelse af porten eller medføre ophævelse af garantien.

[A000007] 8. YDERLIGERE KRAV

Når porten er færdigmonteret, skal det kontrolleres, om den er påsat et CE-skilt i overensstemmelse med standarden. Hvis ikke, så skal porten påsættes et sådant skilt. Efter portens drift er blevet testet og godkendt, kan monterings- og brugsvejledningen og – hvis påkrævet – servicebogen overgives til portens ejer.

[A000008] 9. MILJØMÆSSIGE FORANSTALTNINGER

Emballage

Emballageelementer såsom f.eks. karton og kunststof er kvalificeret som genanvendeligt affald. Tom emballage skal bortskaffes i overensstemmelse med de lokale regler for det pågældende materiale.

Skrotning

Produktet består af flere forskellige materialer, hvoraf de fleste kan genbruges. Inden bortskaffelsen skal affaldet sorteres og derefter leveres til genbrug.



Skrotning skal foretages i overensstemmelse med de lokale regler for det pågældende materiale.



[A000009] **Husk! Returnering af det brugte emballagemateriale tilbage til den generelle materialecyklus sparer på råstofferne og reducerer mængden af affald.**

[D000329] 10. DEMONTERING AF PORTEN

1. Luk og lås porten.
2. Afmonter ophængsbeslagene og førings skinnen.
3. Træk porten ud af åbningen. Sørg for, at portens udvendige overflade er rettet opad.
4. Kontroller at portbladet er sikret mod utilsigtet åbning inden transport påbegyndes.

[D000330] 11. DRIFTSMÆSSIGE FORANSTALTNINGER

Grundlæggende forudsætninger for korrekt drift af porten for at sikre dens funktionsdygtighed på lang sigt:

- Sørg for tilstrækkelig vandafløb porten foruden.
- Beskyt porten mod stoffer der er skadelige for malede overflader og metaller, bl.a. ætsende stoffer såsom syrer, lud, salte.
- Beskyt porten mod sprøjt af mørtel, malinger og opløsningsstoffer når der udføres renoverings- eller færdiggørelsesarbejder ind i garagen.
- Få portbladets trækfjedre udskiftet efter 10 000 portkørsler (som standard).
- Åbn porte med elmotorer som beskrevet i vejledningen fra elmotorens producent.
- Hvis du konstaterer for stor modstand mens porten åbnes, tjek om porten er monteret korrekt, og indstil om nødvendig iht. monteringsvejledningen.
- Hvis porten er forsynet med en integreret gangdør, må porten ikke åbnes hvis gangdøren ikke er nøglelåst.

[B000170] 12. MILJØFORHOLD, PORTEN ER BERETTIGET TIL

- Temperatur - -30° C til +50° C
- Relativ luftfugtighed - max. 80% ikke-kondenseret
- Elektromagnetiske felter - gælder ikke

Gælder for manuelle porte, i tilfælde af porte med motor angives miljøforholdene i installations- og brugsvejledningen.

[A000029] 13. BETJENINGS- OG VEDLIGEHOLDELSERVEJLEDNING

Denne monterings- og betjeningsvejledning er beregnet til ejere af porte. Læs denne vejledning grundigt og følg de heri angivne anvisninger. Vejledningen indeholder de oplysninger, der er nødvendige for at kunne betjene og vedligeholde porten på sikker og forsvarlig vis.

[A000010] 14. VIGTIGE OPPLYSNINGER OG BEMÆRKNINGER



- Denne vejledning skal opbevares forsvarligt.
- Alle aktiviteter skal udføres i overensstemmelse med portens monterings- og betjeningsvejledning.
- Alle reparationer og vedligeholdelsesarbejder skal udføres på sikkerhedsmæssig forsvarlig vis og i overensstemmelse med anbefalinger angivne i portens monterings- og betjeningsvejledning.
- Der må under ingen omstændigheder ændres på portens delsystemer eller komponenter.



[B000006] **Det er forbudt**

- at åbne porten uden fastgjorte førings skinner.
- at opstille fremmede genstande i portens vippeområde. Der skal sørges for, at der ikke befinder sig personer, specielt børn eller genstande, indenfor portens bevægelsesområde.
- at opholde sig og parkere biler eller opstille andre genstande indenfor den åbne ports rækkevidde.
- at opholde sig, gå, løbe eller køre under en port i bevægelse.
- at bruge porten til at løfte genstande eller personer.
- at lade børn leje med anordningen. Håndsendere til porten skal opbevares utilgængeligt for børn på et tørt og fugtfrit sted.
- at fjerne portens komponenter eller foretage ændringer på dem! Dette kan sætte vigtige sikkerheds elementer ude af drift.
- [B000090] Det er forbudt at montere ekstra påfyldninger eller varmeisolering i portbladet uden producentens skriftlige samtykke. Portens trækfjedre er præcist afstemt efter portbladets vægt, og yderligere elementer påmonteret portbladet kan føre til overbelastning og ukorrekt drift af porten.
- [B000093] Porte med automatisk drev skal åbnes i overensstemmelse med automatikkens monterings- og betjeningsvejledning.
- [B000008] Beskyt porten mod stoffer der er skadelige for malede overflader og metaller, bl.a. ætsende stoffer såsom syrer, lud, salte. Beskyt porten mod sprøjt af mørtel, malinger og opløsnings-

stoffer når der udføres renoverings- eller færdiggørelsesarbejder ind i garagen.

[C000011] 15. BETJENING AF PORTEN



- **Portens bevægelsesområde skal holdes frit.** Porten åbner lodret opad, hvorfor der ikke må være fremmede genstande indenfor dens bevægelsesområde. Der skal sørges for, at der ikke befinder sig personer, specielt børn eller genstande, indenfor portens bevægelsesområde.

OBS! Fare for at komme til skade.

- [A000063] Det er forbudt at bruge en defekt port, specielt når den udviser synlige tegn på beskadigelse af trækfjedrene, ophængene eller sikkerhedselementerne.
- [B000007] Det er forbudt at bruge en defekt port, når der konstateres afvigelser fra dens normale drift eller beskadigelse på portens delsystemer. I så fald skal betjening stoppes og et autoriseret servicecenter kontaktes.

[C000012] Før porten åbnes første gang, skal det kontrolleres at den er monteret korrekt og i overensstemmelse med monterings- og betjeningsvejledningen.

Hvis porten er monteret korrekt, er den letgående og nem at betjene.

[C000399] **Åbning** – porten skal betjenes manuelt med de relevante udvendige eller indvendige håndtag/greb. Forkert betjening af porten kan medføre ulykker.

Lukning – porten lukkes manuelt ved at skubbe den hårdt ved hjælp af håndtaget. Det vil få portens selvåbende bolte til at gribe fat i de relevante portrammelementer.

Portbolting (lås) – som standard er porten udstyret med en lås, der kan boltes ved at dreje nøgletælleren 360° med uret (hvis porten ikke har en motorenhed).

Portafbolting (lås) – brug nøglen eller blokeringsbolten:

- udvendigt fra – drej nøglen 360° med uret,
- indvendigt fra – flyt blokeringsbolten, der er placeret ved siden af låseindsatsen, opad, og drej samtidig håndtaget mod højre.

[C000088] Gangdøre

- Gangdøre kan kun åbnes manuelt ved at trække håndtaget mod dørens åbningsretning. Dørene skal åbnes og lukkes roligt, uden pludselige træk i døren, da dette vil have en negativ effekt på portens holdbarhed, funktionsdygtighed og sikkerhed.
- Hvis gangdøren er monteret og justeret korrekt, er den letgående og nem at betjene.
- Undgå at smække hård med døre, da dette kan medføre beskadigelse på den lakerede overflade, ruderne og vinduerne og have en negativ effekt på funktionsdygtigheden af beslagene, hængslerne, tætningerne og dørløjen.
- Det er forbudt at overbelaste døren, åbne døren med kraft og lade andre genstande stå i dørløjens bevægelsesområde.

[C000089] Det er altid anbefalet at bruge en selvlukker, som udelukkende skal anvendes til automatisk lukning af gangdøren efter den har været åbnet manuelt.

[C000090] Det skal altid kontrolleres at gangdøren er lukket ingen åbning af porten. Gangdøre i en automatisk port skal være forsynet med en endestopafbryder, som forhindrer at porten bevæges, når gangdøren er åben.

[C000091] Det er forbudt at anvende ekstra kraft (anden end dørlukkerens) for hurtigere at lukke døren, da dette vil føre til løsløsning eller beskadigelse på dørlukkeren.



[C000209] **Det er forbudt at opstille genstande af enhver art mellem rammen og dørløjen mens dørløjen åbnes eller lukkes.**

Bemærk! Fare for at komme til skade.

[C000050] 16. REGELMÆSSIG VEDLIGEHOLDELSE

Det ejeren selv kan gøre efter at have læst den medfølgende monterings- og betjeningsvejledning:

[C000258] Portbladets udvendige overflade skal vaskes med en svamp og rent vand eller de på markedet tilgængelige midler til rengøring af lakerede overflader. Brug aldrig midler, der kan ridse overfladen, skarpe genstande eller nitroopløsningsbaserede rengøringsmidler.

Mindst en gang hver 6. måned skal der foretages et vedligeholdelseseftersyn af porten, herunder:

- Hængsler, ruller, fjedre og skinner smøres med et smøringsmiddel inden portens ibrugtagning og, hvis påkrævet, under drift.
- Låsecylinderen skal ikke smøres. Om nødvendig smøres den med specialfedt.
- Portens fastgørelseselementer, bolte (skrue) og indføringsruller kontrolleres og ved eventuelle afvigelser skal disse fjernes, ellers må porten absolut ikke ibrugtages.
- Hvis portens delsystemer virker ukorrekt eller er defekte, skal betjening stoppes og et autoriseret servicecenter kontaktes.
- Tjek, om automatikken er korrekt fastgjort.

[B000029] Ruder i vinduesektioner (vinduer, aluprofiler med vinduer) skal rengøres med tøre, rene og meget bløde bomuldsmaterialer. Der kan anvendes ikke-ridsende rengøringsmidler, f.eks. opvaskemidler med neutral pH-værdi, men det anbefales først at udføre en prøverengøring på et mindre synligt sted. Før rengøring påbegyndes skal ruden skylles grundigt med vand (lad være med at bruge

højtryksrensaneanlæg) for at fjerne små partikler og støv som kan ridse rudens overflade. Det anbefales ikke at bruge alkohol- eller opløsningsholdige rengøringsmidler (da de kan forårsage permanent beskadigelse af overfladen).

[C000017] Det en kompetent person med passende oplæring kan gøre

[D000332] Mindst hver 12. måned skal der gennemføres et hovedeftersyn af porten.

Som standard skal følgende udføres:

- Kontroller at portens trækfjederspænding er korrekt - åbn porten ved at løfte portbladet halvt op (åbningsvinkel ca. 45°):
 - hvis portbladet synker tydeligt ned, forøg trækfjederspændingen, Fig. I.II,
 - hvis portbladet trækker tydeligt op, slæk trækfjederspændingen, Fig. I.II.



Hvis du undlader at udføre det ovennævnte, opstår der en risiko for, at portbladet pludselig synker ned og personer eller genstande der befinder sig i nærheden kommer til skade.

- Kontroller fjedermanchetter og juster om nødvendig.
- Kontroller at drivrullerne drejer rundt mens portbladet åbnes og lukkes. Hvis der er modstand eller de overhovedet ikke vil dreje, kontroller rullernes tilstand og specielt deres overflader. Udskift hele emnet om nødvendig.
- Kontroller portens mekaniske delsystemer, som har indflydelse på portens sikkerhed og funktionsdygtighed. Hvis der er mangler eller defekter, skal de mangelfulde dele fjernes og repareres eller udskiftes med nye.
- Kontroller fjedrenes tekniske tilstand.

[D000370] Det en kvalificeret montør kan gøre:

Ombygninger eller modifikationer på porten skal aftales med producenten. Producentens servicecenter gennemfører et periodisk vedligeholdelseseftersyn af porten, som omfatter:

- Identifikation af portens type og serienummer.
- Kontrol af portens mærkning, advarselsetiketter og event. påsætning af manglende mærkater.
- Kontrol af portens monteringselementer inkl. sømduvler, bolte og skrue.
- Kontrol af fjedre og tilsluttede elementer for synlige tegn på slid; udskiftning af slidte dele.
- Udskiftning af trækfjedrene efter 12 års drift eller 10.000 åbne- og lukkecyklusser (antal cyklusser skal vurderes efter samtale med portens bruger).

Der skal lægges mærke til portens driftsvilkår. Hvis disse afviger fra det, der er påkrævet, skal ejeren advares om mulige risici (f.eks. risiko for havari).

[C000235] Det kun et autoriseret servicecenter kan gøre:

- Ombygninger eller modifikationer på porten,
- Udskiftning af portens trækfjedre,
- Reparation af elektriske delsystemer,
- Reparation af portens delsystemer.



Motorens forsyning skal afbrydes før vedligeholdelse eller reparation påbegyndes. Fastgørelse af portbladets trækfjedre kan løses først efter porten er bragt til fuldt åben stilling.

[A000011] Alle aktiviteter skal gennemføres i overensstemmelse med denne monterings- og betjeningsvejledning. Alle bemærkninger og anbefalinger skal være noteret i portens rapportbog eller servicebog og meddelt portens ejer. Efter et gennemført eftersyn skal der stemples i portens rapportbog eller i servicebogen.

[A000068] Producenten forbeholder sig ret til at foretage konstruktionsmæssige ændringer, som følger af det teknologiske fremskridt og ikke ændrer produktets funktionalitet, uden varsel.

Dokumentation er ejendom af producenten. Kopiering, reproduktion og brug helt eller delvist uden ejerens skriftlige tilladelse er forbudt.

[D000334] 17. OFTEST STILLEDE SPØRGSMÅL

Problem	Løsning
Det er svært at åbne porten / porten lukker sig pludseligt. Portbladet er forkert afbalanceret (porten synker ned eller trækker op af sig selv).	<ul style="list-style-type: none"> Kontroller portens trækfjederspænding - åbn porten ved at løfte portbladet halvt op. Hvis portbladet synker tydeligt ned, forøg trækfjederspændingen; hvis portbladet trækker tydeligt op, slæk trækfjederspændingen.
Der er stor modstand under portens drift. Portbladet er ikke letgående.	<ul style="list-style-type: none"> Kontroller at drivrullerne drejer rundt mens portbladet åbnes og lukkes. Hvis der er modstand eller de overhovedet ikke vil dreje, skal de genjusteres og smøres. Kontroller at føringsskinnerne er frie for forureninger der kan medføre forkert drift af porten. Tjek om føringsskinnerne er monteret korrekt (diagonal).
Låsen åbner / lukker ikke. Låsen fungerer forkert.	<ul style="list-style-type: none"> Smør låscylindren med specialfedt med grafit. Kontroller låsens bevægelse og smør om nødvendig. Kontroller at låsens forbindelseselement er monteret korrekt. Kontroller at låsens låsestykker fungerer korrekt.
Smæklåse smækker ikke.	<ul style="list-style-type: none"> Kontroller smæklåsens bevægelse og smør om nødvendig. Kontroller forbindelsen mellem smæklåse og portlås. Om nødvendig forøg låsetrådspændning (porte forsynet med en låsetråd) eller udskift styrestangen (porte forsynet med en styrestang).
Smæklåse i en motordreven port smækker ikke.	<ul style="list-style-type: none"> Kontroller indstilling af endestopafbryderen. Kontroller indstilling af mikroswitch i portens vippemåde. Kontroller spænding af tråden mellem låsen og motoren og indstil om nødvendig.

Kontakt et autoriseret servicecenter ved tvivl eller hvis årsagen til problemet ikke kan fjernes eller afhjælpes.

INNEHÅLLSFÖRTECKNING:

1. Allmän information	56
2. Termer och definitioner enl. standard	56
3. Symbolförklaringar	56
4. Konstruktionsbeskrivning och tekniska data	56
4.1. Användning och ändamål	56
5. Monteringsanvisningar	56
6. Nödvändiga monteringsvillkor	56
7. Monteringsanvisning	57
7.1. Monteringsordningsföljd	57
7.2. Fel som kan uppstå vid monteringen	57
8. Ytterligare krav	57
9. Miljöskydd	57
10. Portens demontering	57
11. Anmärkningar gällande för användning	57
12. Omfattning av miljöförhållanden, för vilka porten är avsedd	57
13. Anvisningar för bruk och underhåll	57
14. Viktig information och noteringar	57
15. Bruksanvisning för garageporten	58
16. Anvisningar för löpande underhåll	58
17. Frågor som oftast ställs	59

[A000001] 1. ALLMÄN INFORMATION

Montering och reglering av porten får endast utföras av en BEHÖRIG person.

[D000323] Garagevipport är avsedd för användning inom villabebyggelse.

[A000066] Monteringsanvisningen utgör underlag avsett för professionella montörer eller kvalificerade personer. Den innehåller nödvändig information som garanterar portens säkert installering.

Porten och ingående delar bör installeras enligt Monterings- och Bruksanvisningen som leveras av tillverkaren.

För portens montering ska endast originella fästelement användas som levereras tillsammans med porten. Innan monteringen börjas bör hela anvisningen läsas. Var vänlig och läs anvisningen och följ rekommendationer. Att porten fungerar korrekt beror i stor grad på dess korrekt installering.

Monteringsanvisningen beskriver montering av porten med standardutrustning och med delar till tillvalsutrustning. Omfattningen av standard- och tillvalsutrustning finns beskriven i komersiellt erbjudande.

[B000002] Typ och struktur av byggmaterial till vilket portar skall fästas avgör i stort sätt valet av fästelement. Skruvar ingående tillsammans med garageportens standardleverans är avsedda för montering i massiva material med kompakt struktur (t.ex. betong, massivt tegel). Vid montering av portarna till andra material är det nödvändigt att byta fästelement till andra som är lämpliga för montering i de materialen av vilka väggar och tak är tillverkade. För detta ändamål måste montören följa riktlinjer för valet av fästelement tillhandahållna av tillverkaren.

[B000028] Glas som används i glasnig (fönster, glasade aluminiumprofiler) är tillverkade av plast. Den naturliga egenskapen för plastglas är att absorbera fukt från luften, under varierande väderförhållanden kan det leda till en övergående utfällning och avsättning av ånga inuti glaset. Kondensering av ånga på fönster i aluminiumprofiler är ett naturligt fenomen och inte omfattas av reklamationsfordringar.

[A000003] Installationsanvisningar gäller för montering av flera typer portar. Åskådliga teckningar kan variera i detaljerna för genomförandet. Vid behov är dessa detaljer visade på skilda ritningar.

Denna manual innehåller nödvändiga uppgifter för säker montering och användning, samt korrekt underhåll av porten.

Vid installation skall man följa säkerhetsföreskrifter rörande montering, lässmed arbeten, arbeten som utförs med elverktyg beroende på monteringsteknik, samt man bör beakta befintliga standarder, föreskrifter och relevant bygghandling.

Under reparationsarbeten skall porten skyddas mot stänk av puts, cement, gips, som kan lämna fläckar.

Installations- och drifts-anvisningar är dokumentation avsedd för ägaren av garageportens. Efter installationen skall den överlämnas till ägaren. Instruktionen bör skyddas mot skador och omsorgsfullt lagras.

Ifall man använder under montering beståndsdelar som tillhandahålls av olika tillverkare eller leverantörer, anses portens installatör vara en tillverkare, i enlighet med europeisk standard EN 13241-1.

Man får inte ändra eller ta bort några element av porten. Detta kan skada portelement vilka garanterar dess säkert användning. Det är förbjudet att ändra komponenter i porten.

[C000229] Det är förbjudet att bygga om porten, tex. att tilläggsisolera portens.

[A000067] Drivenheten ska monteras enligt rekommendationer som lämnas av tillverkare av drivenheten och extrautrustningen. För inkoppling av drivenheten bör endast tillverkarens originella delar användas.

[B000052] Område där porten rör sig får inte blockeras. Inga hinder får finnas där. Man bör försäkra sig om att inom området för portens rörelse finns inga personer särskilt barn eller föremål.

[A000037] 2. TERMER OCH DEFINITIONER ENL. STANDARD

Förklaring av varningssignaler som används i anvisningen:



OBS! - ska väcka uppmärksamhet.



Information - betyder viktig information.



Referens - hänvisar till en bestämd punkt i monteringsanvisningen.

Professionell Montör - kvalificerad person eller företag som erbjuder tjänster för andra som att installera och till och med modifiera portar (enl. EN 12635).

Kvalificerad person - person som är utbildad på rätt sätt med kvalifikationer som grundar sig på utbildning och praktiska erfarenheter och som är utrustad med nödvändiga anvisningar som möjliggör korrekt och säkert genomförande av den installeringen som behövs (enl. EN 12635).

Ägare - fysisk eller juridisk person som äger rätten använda porten och ansvarar för portens fungerande och användning (enl. EN 12635).

Rapportbok - bok som innehåller huvuddata för porten. I boken finns plats för beskrivning av besiktningar, tester, underhåll samt alla reparationer och modifieringar av porten (enl. EN 12635).

[D000324] 3. SYMBOLFÖRKLARINGAR

So - öppningens bredd

Ho - öppningens höjd

[B000088]



- port med tvärribba som kopplar ihop horisontella ledskenor



- port utan tvärribba som kopplar ihop horisontella ledskenor

[A000052]



- tillval



- manuell



- automatisk

[D000367] 4. KONSTRUKTIONSBESKRIVNING OCH TEKNISKA DATA

Vipportar tillverkas som garageportar som standard. Detaljerade mått och tekniska data finns i prislistan. Portens konstruktion består av slutna, förzinkade profilstänger. Portens ifyllnad består av förzinkad, profilerad (trapets T-10) stålplåt överdragen med polyester. Portar kan vara utrustade med genomgångsdörrar som öppnas utåt samt kan vara inglasade. I portar tillämpas fjädersystem som stödjer öppning och nedsänkning, fjädrarna skyddas av hylsor som förhindrar att tex. fingrarna kläms mellan.

[D000326] 4.1. ANVÄNDNING OCH ÄNDAMÅL

Garagevipportar är avsedda för användning privata hus och ekonomi utrymme.

[A000005] 5. MONTERINGSANVISNINGAR

Före installation och driftsättning av porten skall man noggrant göra sig bekant med riktlinjerna i denna manual. Man bör följa monterings- och drifts-anvisningar för porten, som kommer att möjliggöra en korrekt montering och garanterar lång och problemfri drift. Alla göromål i samband med installation av porten bör utföras i den beskrivna ordningen.

[A000066] 6. NÖDVÄNDIGA MONTERINGSVILLKOR

Porten bör tillämpas och användas på avsett sätt. Val och användning av portar i byggbranschen bör grunda sig på teknisk dokumentation av byggnad, upprättad i enlighet med gällande föreskrifter och standarder.

[B000005] Portar kan monteras till väggar av armerad betong, tegel eller till stålramar. Utrymmet där porten ska monteras bör vara fullständigt färdigställt (väggarna putsade, golvet klart), väggarna får inte visa felaktigt utförande. Utrymmet bör vara torrt och fritt från kemiska ämne som är skadliga för lackade ytor.

Både sidovägg och frontvägg och dörrbalk bör vara vertikala och vinkelräta mot golvet samt färdigställda.



Det är förbjudet att montera portar i utrymmen där bygg- arbete ska fortsätta (putsning, gipsning, slipning, målning, eller dyl.).

Golvet vid portens nedre tätning bör vara plant och gjort på ett sätt som möjliggör att vatten fritt rinner ut. Man bör se till det finns lämplig ventilation (torkning) i garaget.



Installering av eldriften i porten och som ska utföras av en professionell installatör eller en kompetent person ska göras enligt eldriftens Monterings- och Bruksanvisningen.

[B000092] Det utrymme som krävs för portmontering skall vara fri från alla typer av rör, etc.



- [C000184] **Öppna inte portbladet utan installerade styrskenor.**
- [C000230] **Det är förbjudet att flytta porten i horisontellt läge med yttre beklädnad neråt.**

[B000089] Säkerhetsvillkor

- Sätt att installera elinstallation och skydd mot elstötar finns definierade av gällande standarder och lagstiftningen.
- Huvudelkrets bör vara utrustad med strömbrytare, jordfelsbrytare samt överlastskydd.
- Installation som förser porten med strömmen bör göras som separat elkrets.
- Obligatorisk jordning av drivenheten bör göras först.
- För att montera drivenheten ska användas kablar som levereras av tillverkaren tillsammans med drivenheten.
- Elinstallation ska göras enligt föreskrifter gällande i respektive land.
- Allt elarbete får utföras endast av behörig elinstallatör.

[D000368] 7. MONTERINGSANVISNING

Allt porten fungerar korrekt bero i stor grad på att den är monterad på ett rätt sätt. Tillverkaren rekommenderar auktoriserade entreprenörer. Endast korrekt montering och underhåll som görs enligt bruksanvisningen av kvalificerade firmor eller personer kan garantera att porten fungerar på ett säkert och ändamålsenligt sätt.

[D000369] 7.1. MONTERINGENS ORDNINGSFÖLJD

- Ritn.0.2. Innan monteringen börjas bör mått på öppningen (bredd och höjd) kontrolleras.
- Ritn.0.3. Vid behov anpassa öppningen så att portkarmen får tillräcklig med spel för att justera den i höjdlod och lodled i öppningen.
- Ritn.1-3. Monteringen börjas med att porten ställs i vertikalt och horisontellt läge. Man kontrollera att bladet sluter tätt mot portkarmen runt om. Vid behov kan tillåtas avvikelser i portens läge på 2 [mm] på 1 [m] om portbladet samspejar med karmen på ett korrekt sätt. Om bladet tar i karmen för hårt bör man kontrollera att ledskenor är vertikala mot portbalken (eller kontrollera ledskenornas diagonalt mått). Om dessa villkor följs då får man böja armarna för att förbättra portens fungerande.
- Ritn.4-15. Följ noggrant monteringsstegen som visas på ritningar.
- Ritn.8-9. Kontrollera diagonaler på horisontella ledskenor. Ledskenorna ska monteras till taket med hjälp av monteringsupphängningar.
- Ritn.4,11,12. Montera porten med hjälp av monteringsbultar. Antal pluggar är anpassat till antalet av portens monteringsplåtar.
- Ritn.13.1. Efter monteringen ska utstickande delar av upphängningar kapas av, vassa kanter fhasas och ytor målas med skyddsfärg.
- Ritn.13.3. Horisontella ledskenor monteras till taket med hjälp av två satser av monteringsupphängningar.
- Ritn.16. Montering av porten med borsttätning. Ta bort porttröskel och sätt fast porten med monteringsbultar. Porten monteras direkt till underlaget.
- Ritn.I. Efter att porten är färdigmonterat bör man kontrollera dess korrekt fungerande enligt Monterings- och Bruksanvisningen, vid behov utföra justeringar (porten får justeras endast om den är fullständigt öppen och säkrad mot okontrollerad stängning). För att utföra det bör man:
- öppna porten genom att lyfta bladet till halva höjden (vinkel på bladet ca 45°),
 - om portbladet åker ned markant bör fjädrarnas förspänning ökas genom att justera de, se ritn I.II,
 - om portbladet åker upp markant bör fjädrarnas förspänning minskas genom att justera de, se ritn I.II

[D000328] 7.2. FEL SOM KAN UPPSTÅ VID MONTERINGEN

Det finns risk av vid monteringen av porten kan uppstå fel som är lätta att undvika om man ser till att:

- portens ledskenor har tvärribbor och skenorna är parallella på båda sidor.
- portbladet har diagonal efter stängningen
- spel mellan karmen portbladet är lika på båda sidor
- alla fästelement måste vara korrekt åtdragna.

Om man inre följer ovanstående grundläggande rekommendationer då kan det orsaka svårigheter i portens korrekt fungerande, leda till skador på porten och i nästa steg förlust av garanti.

[A000007] 8. YTTRE KRAV

Efter installationen bör man kontrollera om porten är försedd med en skylt enligt CE standarden, i avsaknad av skylten bör den levereras för att kunna markera porten. Efter att ha kontrollerat korrekt funktion av porten skall man överlämna monterings- och driftsanvisning till användaren av portanläggningen, och vid behov portboken.

[A000008] 9. MILJÖSKYDD

Emballage

Delar av emballage (papp, plaster mm.) klassas som återvinningsbara avfall. Vid

skrotningen av emballage bör lokala bestämmelser följas som gäller för respektive material.

Skrotning av produkten

Produkten består av flera olika material. De flesta av materialen kan återvinnas. Före skrotningen ska de sorteras och lämnas sedan till återvinningscentralen.



Vid skrotningen av bör lokala bestämmelser följas som gäller för respektive material.



[A000009] Kom ihåg! Återvinning av emballeringsmaterial spar råvaror och minskar avfallsmängd.

[D000329] 10. PORTENS DEMONTERING

1. Porten ska stängas och säkras.
2. Ta bort upphängningar och ledskenor.
3. Ta bort porten från öppningen och se till att yttre beklädnad är vänd uppåt.
4. Före transporten ska portbladet säkras mot okontrollerat öppnande.

[D000330] 11. ANMÄRKNINGAR GÄLLANDE FÖR ANVÄNDNING

Grundläggande villkor för portens korrekt användning som garanterar portens långvarigt och felfritt arbete:

- Se till att vatten kan fritt rinna ut vid nedre tätning,
- Skydda porten mot skadliga ämnen som är skadliga för lacktyper och metaller som bland annat frätande ämnen som syror, lut, salter,
- Vid färdigställande eller renovering av utrymme bör porten skyddas mot murbrusstank, färger, lösningsmedel,
- Fjädrar som motväger portens vikt är anpassade till 10 000 arbetscykler som standard. Efter bestämt antal arbetscykler bör fjädrarna absolut bytas,
- Portar med eldrift bör öppnas enligt bruksanvisningen som levereras med elutrustningen,
- Om vid öppnande av porten uppstår alltför stort motstånd då bör portens montering kontrolleras och vid konstaterande av felaktigheter bör justeringar utföras enligt monteringsanvisningen,
- Om porten är utrustad med genomgångsdörr då är det förbjudet att öppna porten om dörren är inte låst med nyckel.

[B000170] 12. ÖMFATTNING AV MILJÖFÖRHÅLLANDEN, FÖR VILKA PORTEN ÄR AVSEDD

- Temperatur - -30° C till +50° C
- Relativ luftfuktighet - max. 80% ej kondenserad
- Elektromagnetiska fält - ej tillämpligt

Angår manuella garageportar, i fråga om eldrivna portar - är omfattningen av miljöförhållanden angiven i installations- och underhållsinstruktion för drivsystemet.

[A000029] 13. ANVISNINGAR FÖR BRUK OCH UNDERHÅLL

Installations- och driftsanvisningar är dokumentation avsedd för ägaren av garageporten.

Läs igenom denna manual noggrant och följ dess rekommendationer. Den innehåller nödvändig information för säker användning, drift och underhåll av porten.

[A000010] 14. VIKTIG INFORMATION OCH NOTERINGAR



- Vänligen behåll omsorgsfullt denna instruktion.
- Alla göromål skall utföras i enlighet med montage- och driftsinstruktion för garageporten.
- För allt arbete i samband med översyn och reparation av porten följ arbetarskydd och rekommendationer som finns i montage- och driftsinstruktion för garageporten.
- Det är förbjudet att ändra delsystem eller komponenter i porten.



[B000006] Förbjuden användning av porten

- Öppna inte porten utan installerade styrskenor.
- Det är förbjudet att blockera område av portens rörelse. Vid stängning eller öppning av porten bör man förvissa sig om det inte finns några personer eller föremål, särskilt barn i område av portens rörelse.
- Det är förbjudet att personer, fordon eller andra föremål finns i portöppningen.
- Det är förbjudet att stå, gå, springa eller köra under porten som finns i rörelse.
- Det är förbjudet att använda porten till att lyfta föremål eller människor.
- Låt inte barn leka med anordningar. Styransändare bör hållas på avstånd från barn. Styransändare bör förvaras i torr, ej våt plats.
- Det är förbjudet att ändra eller ta bort vilka som helst portkomponenter! Detta kan skada portelement vilka garanterar dess säker användning.
- [B000090] Det är förbjudet att montera extra ifyllnader eller värmeisoleringar på portbladet utan skriftlig tillstånd från tillverkarens sida. Fjädrarna är exakt anpassade till bladets vikt och alla extra element som monteras på bladet kan orsaka överbelastning och att porten fungerar inte som den ska.

- [B000093] Portar med eldrift bör öppnas enligt driftens Monterings- och Bruksanvisning.
- [B000008] Porten bör skyddas från skadliga faktorer för färgbeläggningar och metaller, bl.a. kaustika medel såsom syror, alkalier, salter. Porten bör skyddas mot stänk av gips, färger och lösningsmedel, under avslutningsarbeten i lokalen eller dess renovering.

[C000011] 15. BRUKSANVISNING FÖR GARAGEPORTEN



- **Blockera inte område av portens rörelse. Porten öppnas vertikalt.** Och därför kan det inte finnas några hinder i närheten medan porten skall öppnas eller stängs. Man skall förvissa sig att det inte finns några människor, särskilt barn eller föremål under portens rörelse.

Varning! Risk för olycka.

- [A000063] Det är förbjudet att använda porten då är den trasig, särskilt är det förbjudet att använda porten då synliga skador har uppstått på porten, fjädrarna, delar av upphängningsanordningarna eller delar som ansvarar för portens säkra användning.
- [B000007] Det är förbjudet att använda porten i fallet med eventuella fel i funktion eller skador på delsystem av porten. Man bör avbryta dess användning och kontakta en auktoriserad serviceverkstad.

[C000012] Före den första öppningen av porten, kontrollera riktighet av dess installation i enlighet med monterings- och driftsanvisning.

Porten är korrekt monterad när dess vingar / gardin rör sig mjukt och dess drift är lätt.

[C000399] **Öppning** - porten ska öppnas manuellt, genom användande av korrekt handtag på portens utsida eller insida. Felaktigt öppnande av porten kan orsaka olyckor.

Stängning - porten ska stängas manuellt genom att trycka hårt på den med handtaget. Som ett resultat kommer portens självlåsande låsbultar att haka i korrekt dörrkarmselement.

Portlåsning (lås) - som standard är porten utrustad med ett lås som kan låsas genom att vrida nyckeln 360° moturs (om porten inte är utrustad med automatisk drivenhet).

Portupplåsning (lås) - använd nyckel eller låsregel:

- från utsidan - vrid nyckeln 360° medurs,
- från insidan - rör låsregeln vid nyckelhålet uppåt och vrid samtidigt handtaget åt höger.

[C000088] Gångdörren

- Gångdörren kan öppnas endast manuellt genom att dra i handtaget mot öppningen av dörren. Man bör öppna och stänga dörren smidigt utan plötsliga ryck, vilket negativt påverkar dess hållbarhet, funktionalitet och säkerhet.
- Gångdörren är monterad och justerad korrekt när dörrbladet rör sig mjukt och driften är enkel.
- Man bör undvika "slående" verkan av dörrbladet på dörrkarmen, som kan skada färgbeläggning, glassprickor, funktionförsämring av järnbeslag, gångjärn, tätningar, samt kan orsaka deformation av dörrbladet.
- Det är förbjudet att fastställa ytterligare belastningar på dörrbladet, tvång-öppna dörren och lämna föremål i område av dörrbladet.

[C000089] Varje gång rekommenderas att använda dörrstängare, som bör endast tillämpas på självstängande dörrbladet efter dess tidigare manuella öppning.

[C000090] Varje gång före igångsättning av porten bör man förvissa sig om gångdörren är stängd. Gångdörren monterad i porten med drivsystemet skall vara utrustad med gränslägesbrytare som förhindrar drivsystemets igångsättning med öppen dörr.

[C000091] Det är förbjudet att fästa ytterligare kraft (annat än dörrstängare) för att påskynda stängning av dörren, vilket leder till störningar eller skador på dörrstängaren.



[C000209] **Stick inte in några föremål mellan öppning och stängning av portbladet, dörrkarm.**
Varning! Riskförolycka.

[C000050] 16. ANVISNINGAR FÖR LÖPANDE UNDERHÅLL Göromål är möjliga att utföras genom ägare efter noggrann genomgång av instruktion försedd med porten:

[C000258] PPortbladets yttre ytor bör rengöras med tvättsvamp och rent vatten eller tillgängliga på marknaden rengöringsmedel avsedda för rengöring av lackade ytor. Man ska inte använda rengöringsmedel som repa ytor, vassa redskap eller toulubaserade rengöringsmedel.

Minst var sjätte månad bör utföras besiktningar av porten och kontrolleras:

- Gångjärn, rullar, fjädrar, smörjas ledskenor med fett innan porten startas upp och under användning vid behov.
- Låsinsatsen ska inte anoljas. Den ska smörjas med fett vid behov.
- Under besiktningar bör kontrolleras fästelement som fäster porten mot väggen, skruvar (bultar), ledrullar, om det förekommer några felaktigheter bör de omedelbart åtgärdas, innan det sker är det förbjudet att använda porten.

- Om det förekommer några fel under portens arbete eller fel på några av delar då ska man avbryta portens användning och kontakta auktoriserad serviceverkstad omedelbart.

- Kontrollera drivenhetens infästning.

[B000029] RFör att rengöra glasrutor i inglasade öppningar (fönster, inglasade aluminiumprofiler) bör användas rena och mycket mjuka, helst bomulltrasor. Man kan använda rengöringsmedel som inte orsakar repor, tex. diskmedel med neutral pH-värde, men det rekommenderas att pröva sig fram först på en liten inglasad yta. Innan rengöringen rekommenderas att rutan ska sköljas noga med vatten (vi avråder att använda högtrycksaggregater) för att avlägsna föroreningar och damm som kan repa glasytor. Vi avråder att använda rengöringsmedel som innehåller sprit eller lösningsmedel (de kan orsaka att glasrutan blir matt).

[C000017] Göromål möjliga att utföras av en behörig person med lämpliga behörigheter.

[D000332] Servicebesiktningar bör utföras minst en gång per 12 månader.

Under standardserviceunderhåll bör man:

- Kontrollera fjädrarnas förspänning - öppna porten genom att lyfta portbladet till halva av höjden, vinkel på bladet ca 45°:
 - om portbladet åker ned markant bör fjädrarnas förspänning ökas genom att justera de, se ritn I.II,
 - om portbladet åker upp markant bör fjädrarnas förspänning minskas genom att justera de, se ritn I.II.



I fall man underlåter att utföra ovanstående åtgärder då finns det risk att portbladet plötsligt åker ner och kan skada personer eller föremål som finns i närheten.

- Kontrollera infästningarna till fjädrarnas hölje och åtgärda fel vid behov.
- Kontrollera att åkrullar roterar under portbladets öppning och stängning. Om de slirar eller roterar inte alls då ska deras tillstånd kontrolleras, särskild deras loppytter. Byt hela enheter vid behov.
- Under besiktningen bör mekaniska anordningar kontrolleras som påverkar säkerheten och portens korrekta arbete. Alla fel bör omedelbart åtgärdas och trasiga anordningar och delar lagas eller bytas.
- Kontrollera fjädrarnas tillstånd.

[D000370] Åtgärder som kräver en professionell installatör:

För portens alla ombyggnader och modifieringar krävs tillverkarens medgivande. Omfattning av periodisk besiktning som utförs av auktoriserad av tillverkaren serviceverkstad.

- Identifiera porttyp, serienummer.
- Kontrollera portens märkning, varningsdekal, saknad de då ska de kompletteras.
- Kontrollera fästelement som används i porten som bultar som fäster porten till väggen, skruvar som fäster ledskenor.
- Kontrollera fjädrar och delar som samarbetar med dem, finns det synliga spår på förslitning då ska de bytas utan undantag.
- Om porten används längre än 12 år eller har den utfört mera än 10 000 arbetscykler (antal cykler kan beräknas genom samtal med portens användare) då ska fjädrarna bytas.

Kontrollera hur porten används, om användningssätt avviker från sättet som krävs då ska ägaren informeras om möjliga följder (tex. att en haveri kan uppstå).

[C000235] Åtgärder som är möjliga att utföras av tillverkarens auktoriserad serviceverkstad:

- Alla ombyggnader av porten.
- Byte av fjädrar som motväger portbladet.
- Lagning av elenheter.
- Lagning av portens mekaniska enheter.



Vid allt underhållsarbete och portens besiktningar ska strömmen kopplas av. Infästning av fjädrar som balanserar portens vikt kan lossas endast om porten är öppen.

[A000011] Alla göromål skall utföras i enlighet med montage- och driftsinstruktion för garageporten. Eventuella kommentarer och rekommendationer bör överlämnas skriftligt till ägaren, till exempel anteckning i rapportering boken eller på garantikortet och levererade till ägaren av garageporten. Efter att ha utfört översyn bör detta bekräftas i en rapportering bok eller i garantisedel.

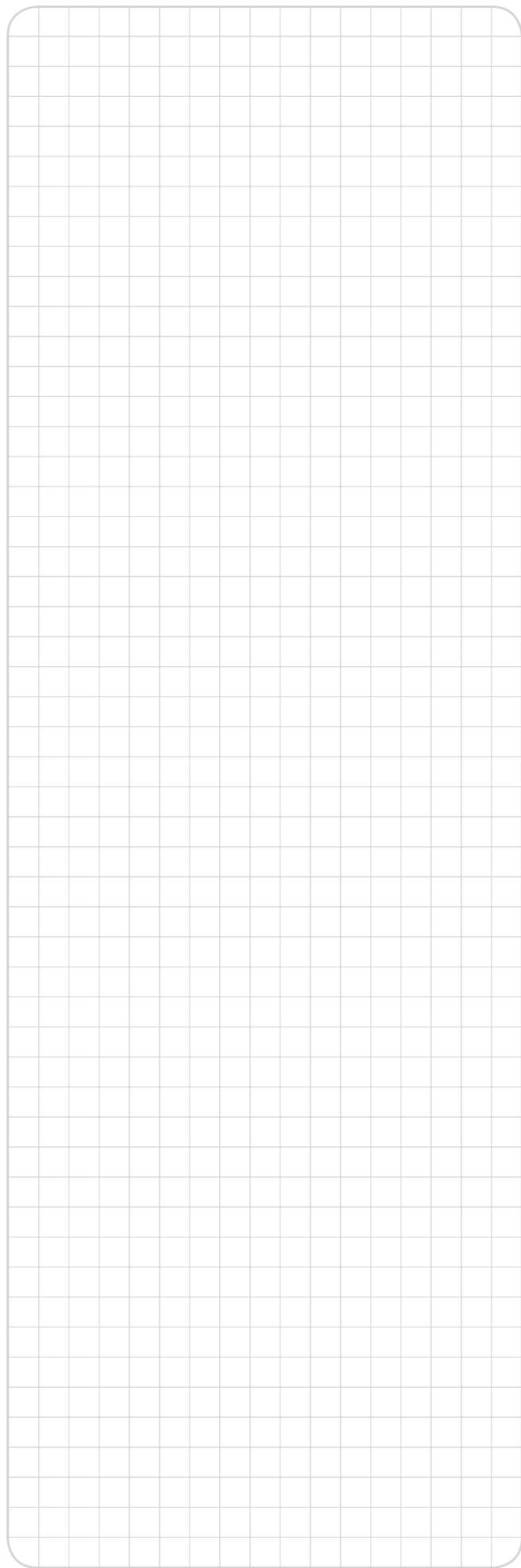
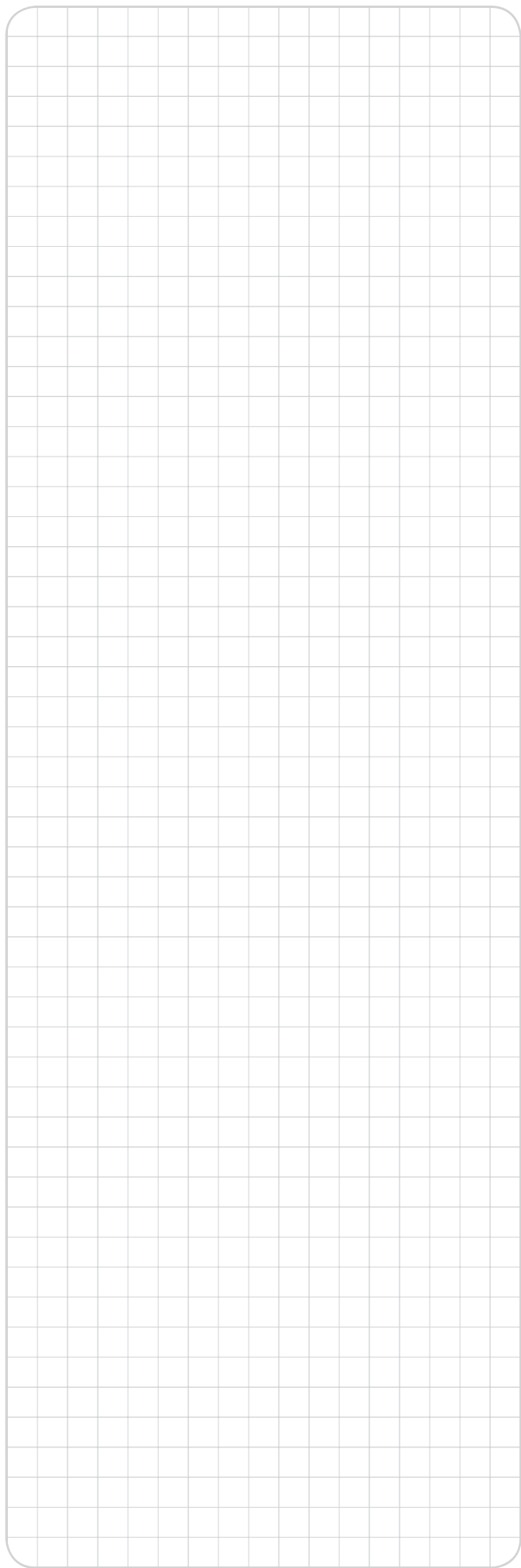
[A000068] Tillverkaren friskriver sig rätten att införa konstruktionsändringar som framgår av teknisk utveckling och som inte påverkar produktens funktioner utan att meddela det i förväg.

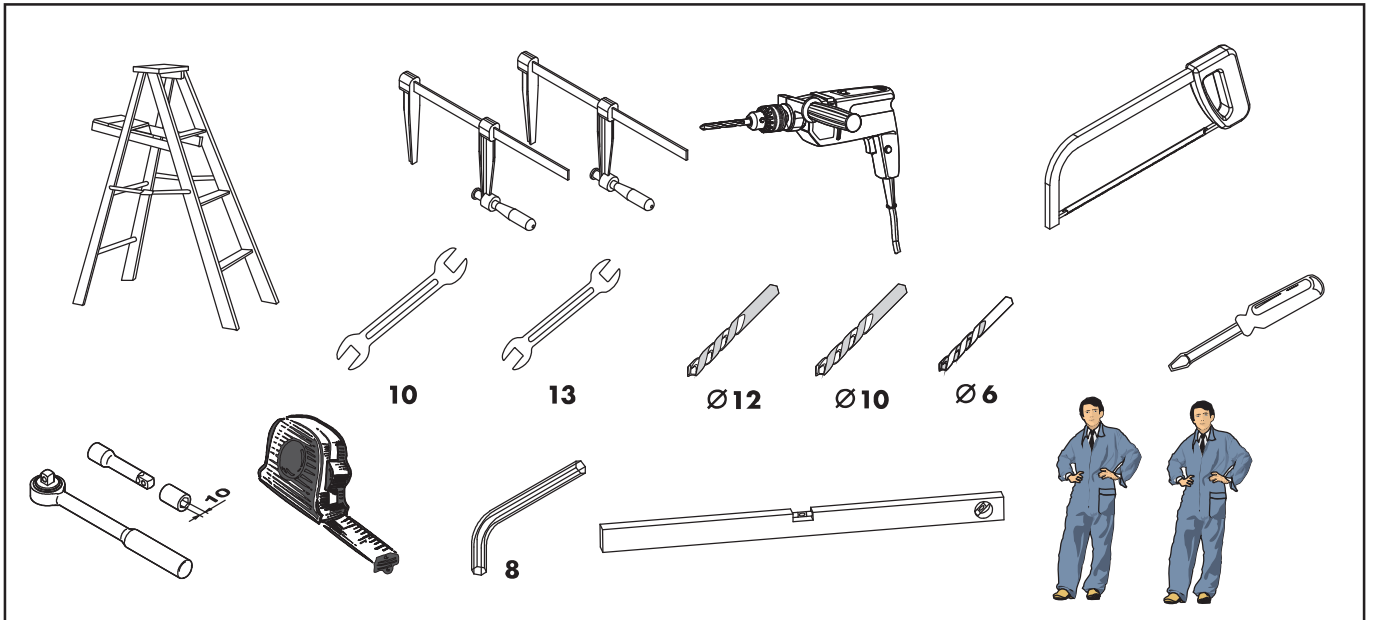
Underlag utgör tillverkarens egendom. Det är förbjudet att kopiera, använda för egen vinning eller utnyttja i dess helhet eller delar av utan ägarens skriftligt tillstånd.

[D000334] 17. FRÅGOR SOM OFTAST STÄLLS

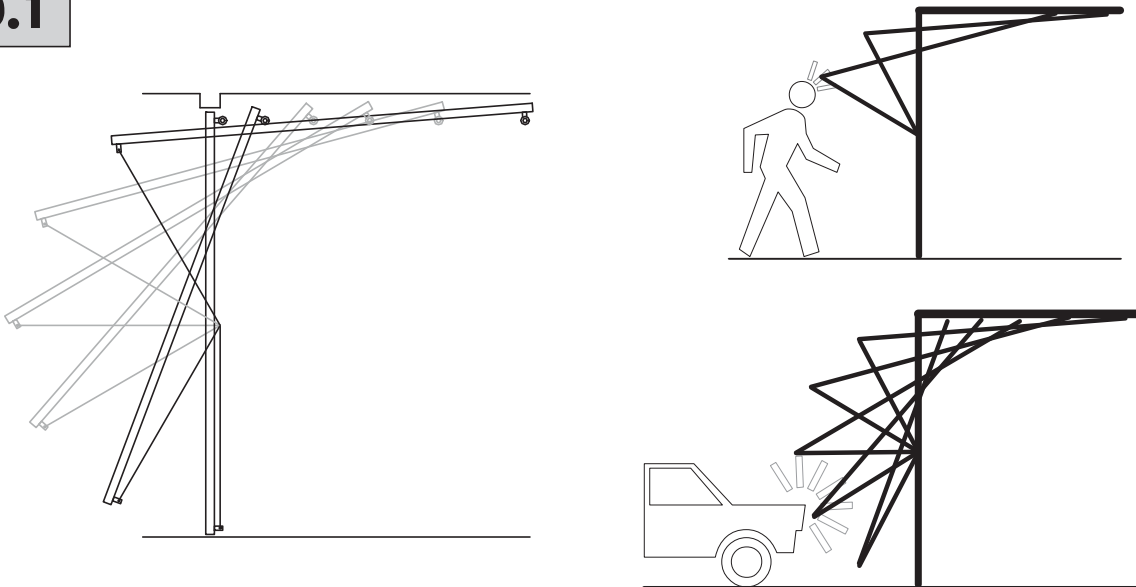
Orsak	Åtgärd
Det går trögt att stänga/öppna porten, portbladet är inte balanserat (porten åker ner eller öppnar sig av sig själv).	<ul style="list-style-type: none"> Kontrollera fjädrarnas förspänning - öppna porten till hälften, porten bör stanna i sådant läge. Om porten åker ner markant då ska fjädrarnas förspänning ökas. Om porten åker upp då ska fjädrarnas förspänning minskas.
Under portens arbete känns stort motstånd, portbladet öppnas inte på flyttande sätt.	<ul style="list-style-type: none"> Kontrollera att rullarna roterar under portbladets öppningen och stängningen. Rullar de trögt eller rullar inte alls då ska de justeras och smörjas med fett. Kontrollera att ledskenor är fria från smuts som kan orsaka portens felaktigt arbete. Kontrollera att ledskenorna monterades på ett rätt sätt (diagonal).
Låset låser/öppnar sig inte, arbetar på ett felaktigt sätt.	<ul style="list-style-type: none"> Smörja låsinsatsen med grafitfett. Kontrollera hur spärregel fungerar, finns det motstånd då ska den smörjas. Kontrollera att låsets kopplingsbit monterades med regeln på ett korrekt sätt. Kontrollera spärr som låser låset.
Smæklåse smækker ikke. Reglar låser inte porten.	<ul style="list-style-type: none"> Kontrollera reglarnas arbete och smörj in de med fett vid behov. Kontrollera kopplingar mellan snäppe och portens lås. Vid behov - för portar med lina ska linans förspänning ökas, för portar med vajer ska vajrarna bytas.
Reglar i porten utrustad med eldrift snäpper inte.	<ul style="list-style-type: none"> Kontrollera inställning på ändlägesbrytare. Kontrollera att mikrookopplare är inställd till arbete för vipport. Kontrollera förspänning på linan mellan låset och drivenheten och justera vid behov.

Vid minsta tvivel eller om symptomen inte försvinner kontakta en auktoriserad serviceverkstad.

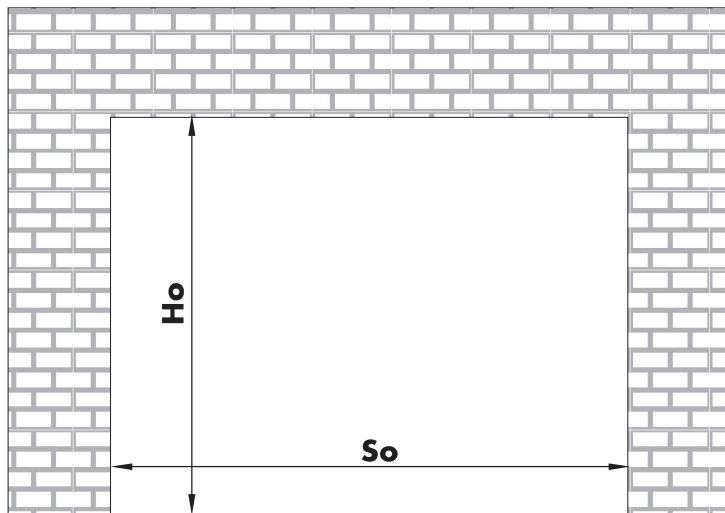




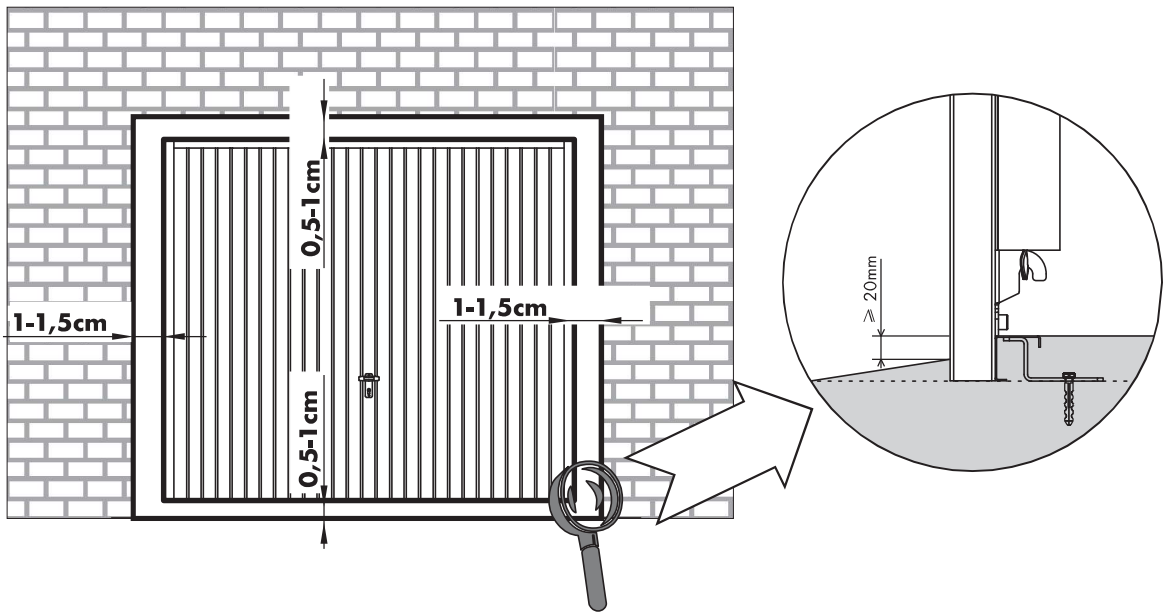
0.1



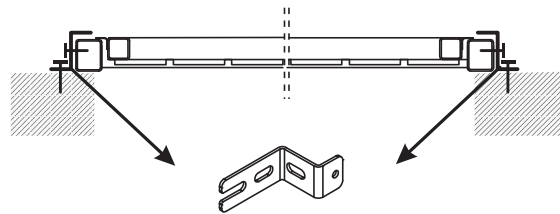
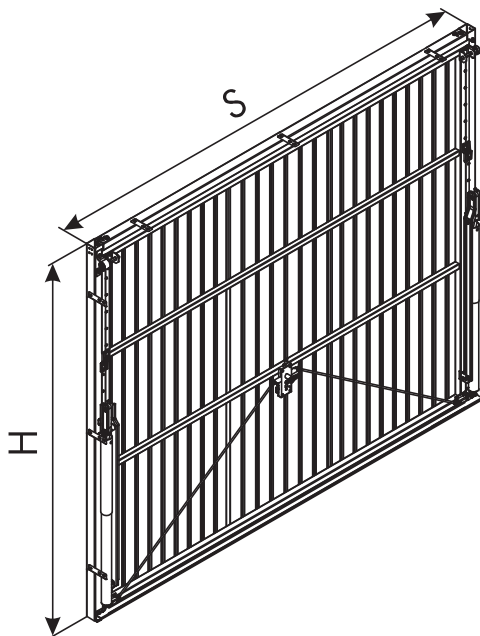
0.2



0.3



0.4



$S \leq 2600$ [mm] → 2x

$S > 2600$ [mm] → 3x

$H \leq 2200$ [mm] → 4x

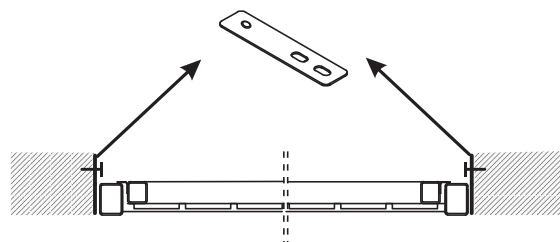
$H > 2200$ [mm] → 6x

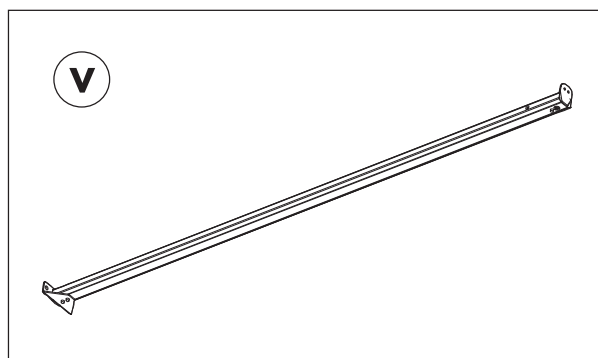
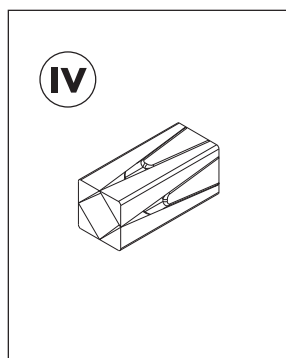
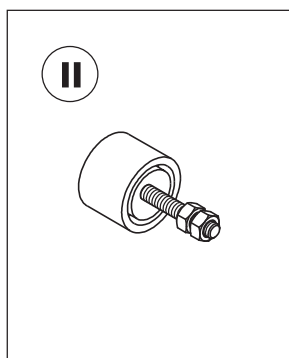
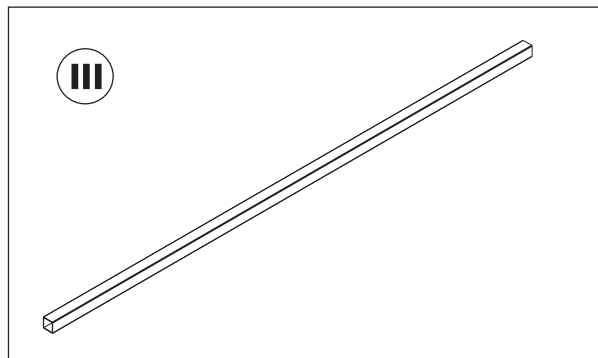
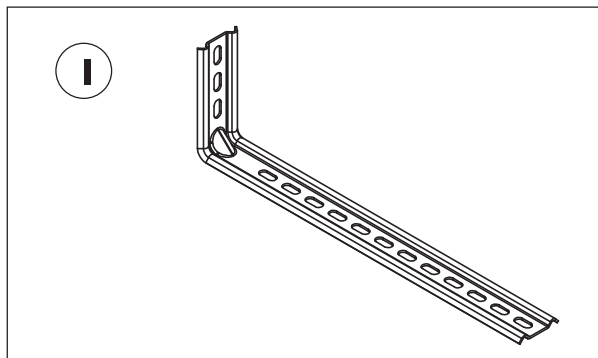
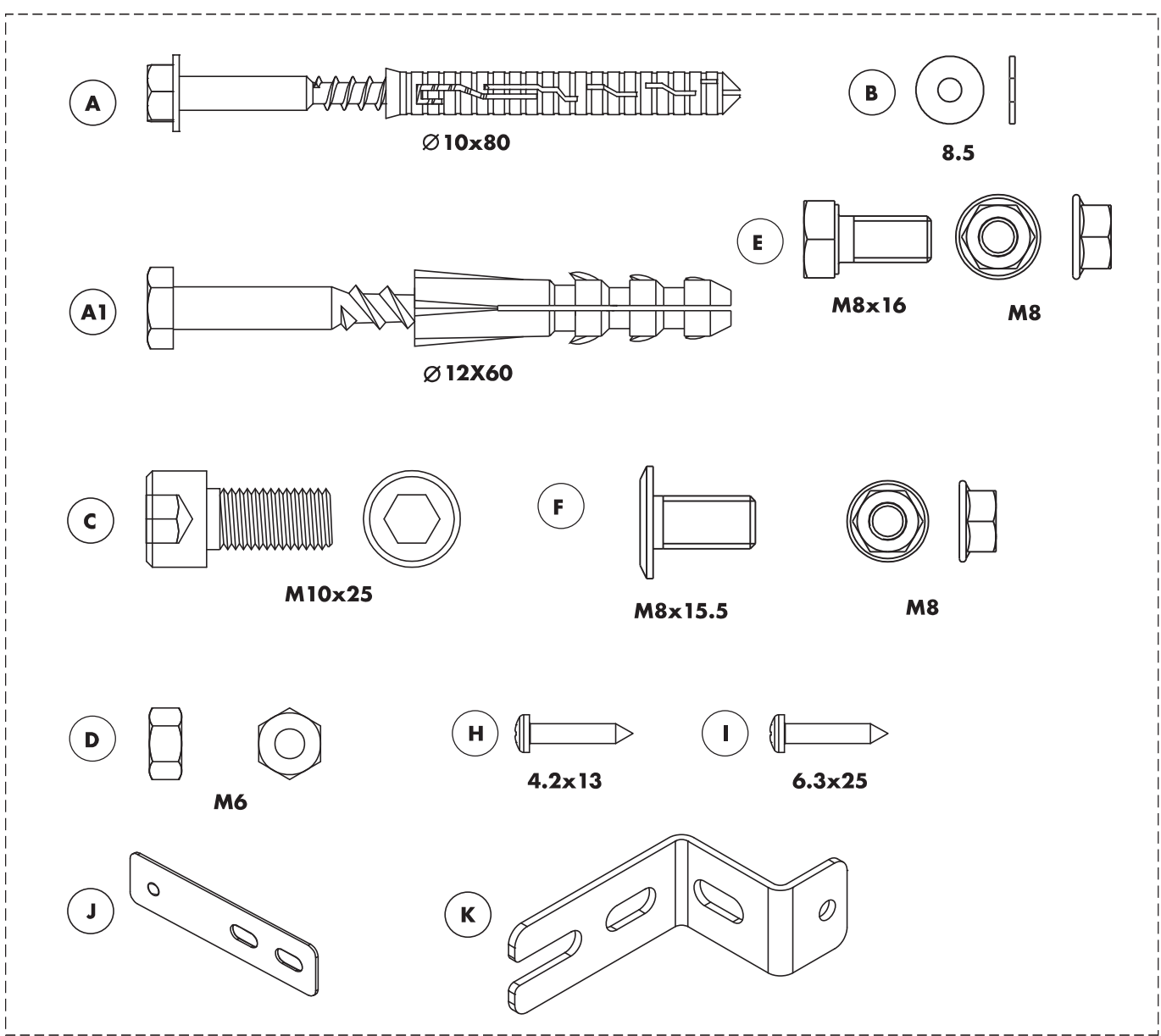
$S \leq 2600$ [mm] → 2x

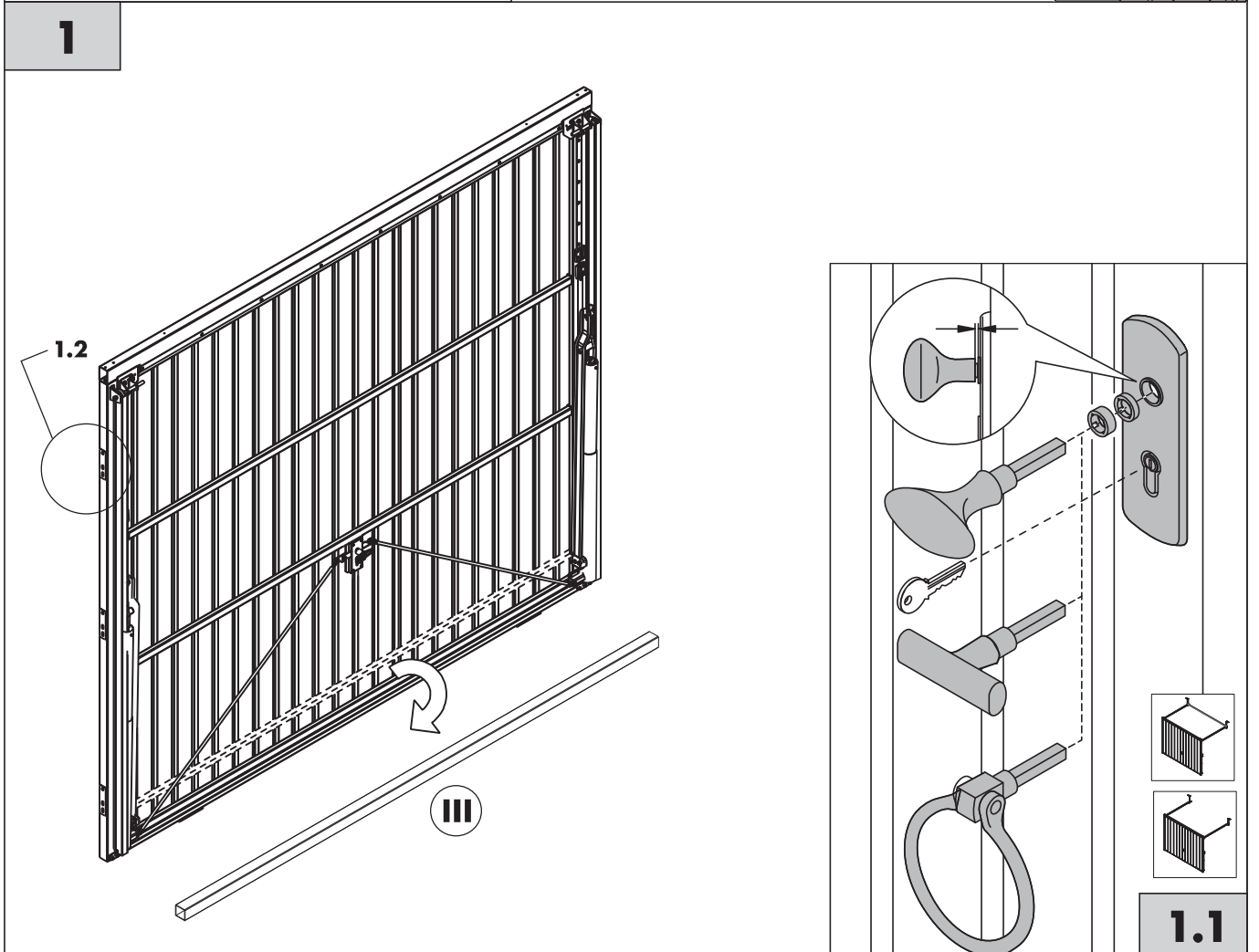
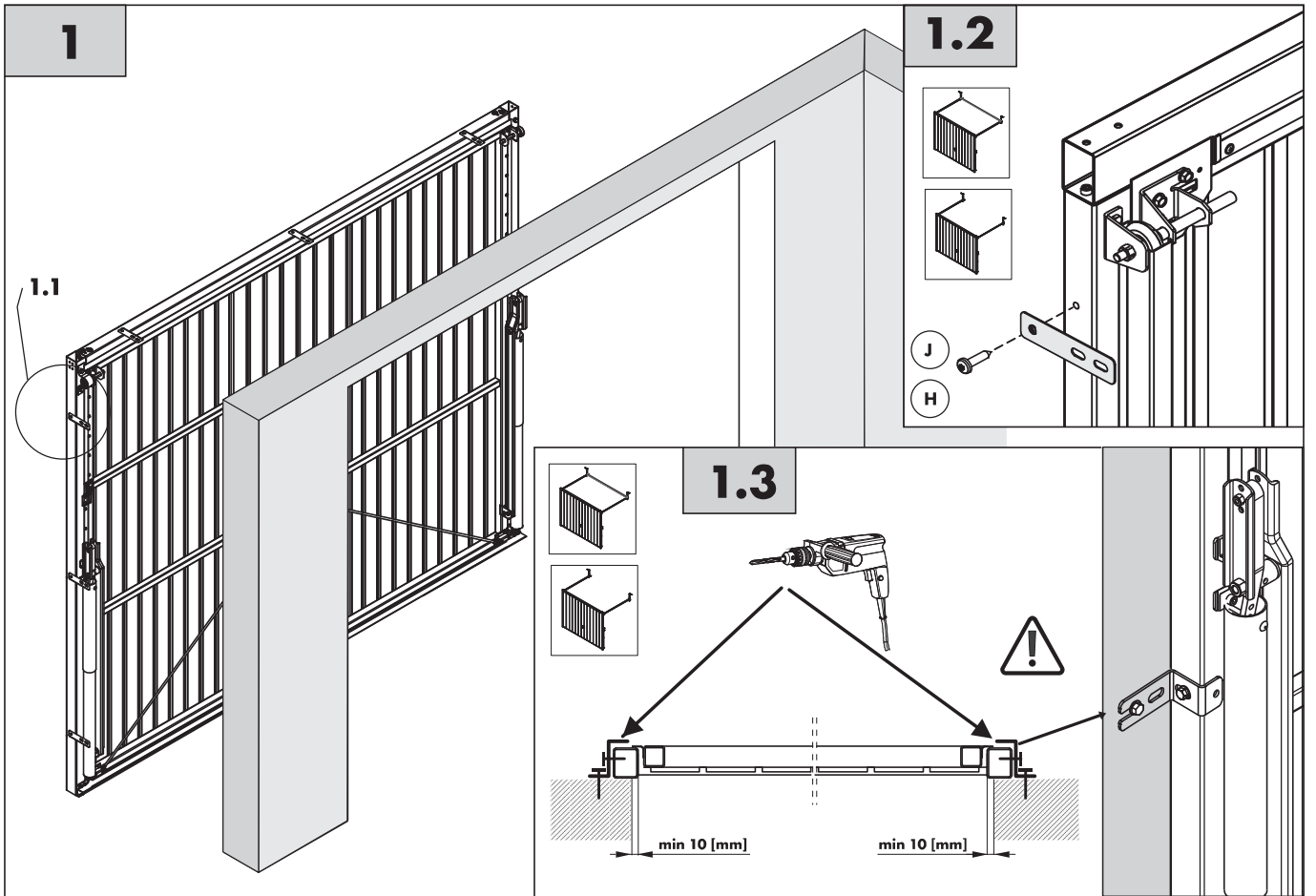
$S > 2600$ [mm] → 3x

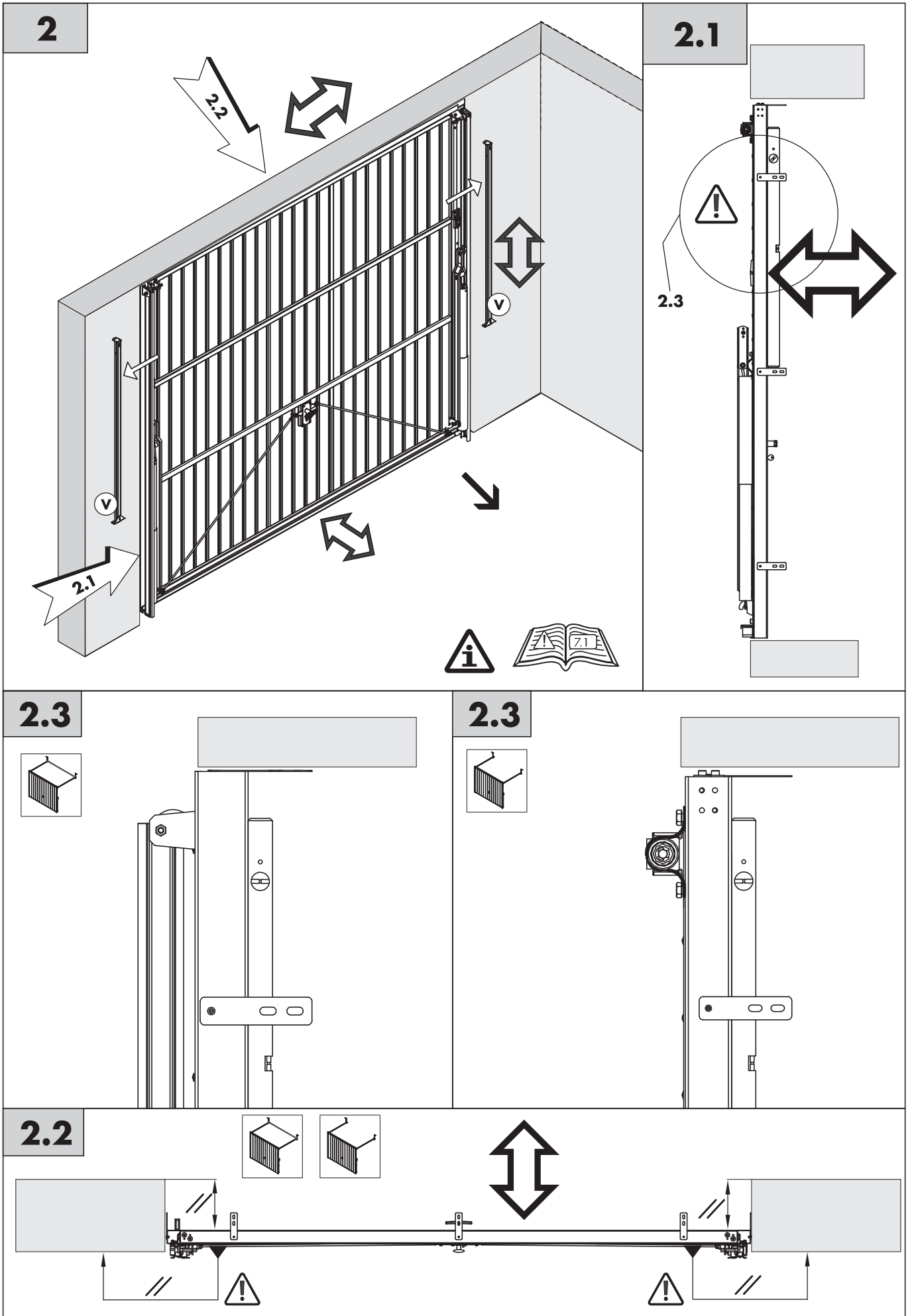
$H \leq 2200$ [mm] → 4x

$H > 2200$ [mm] → 6x

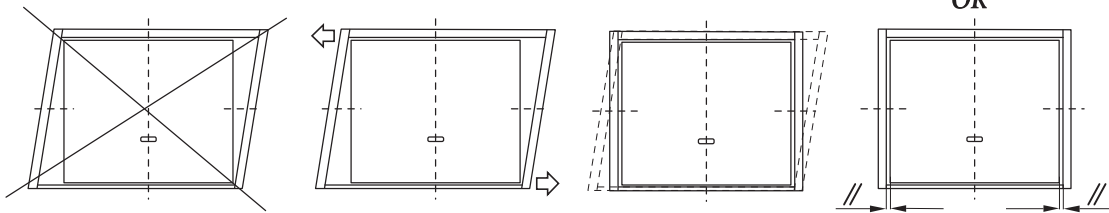
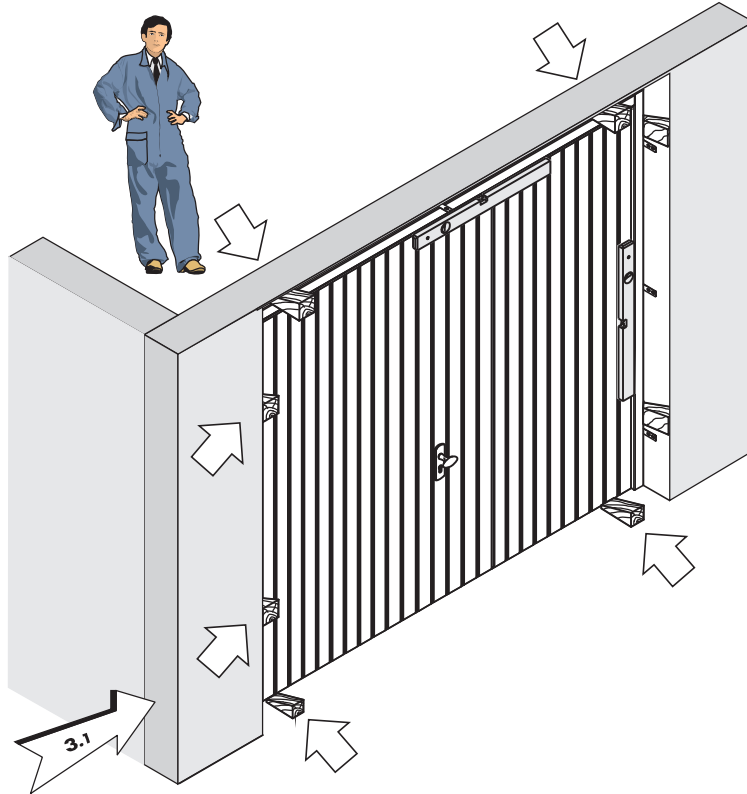




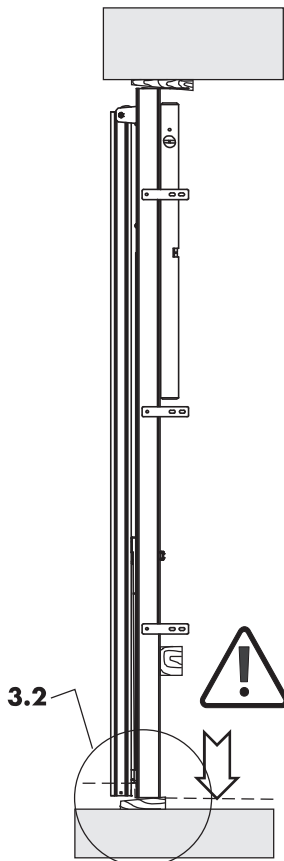




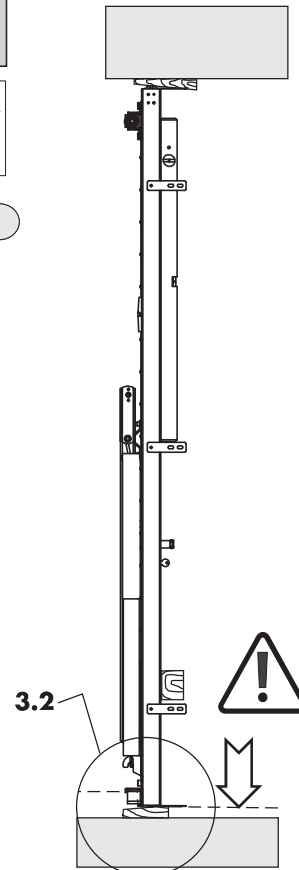
3



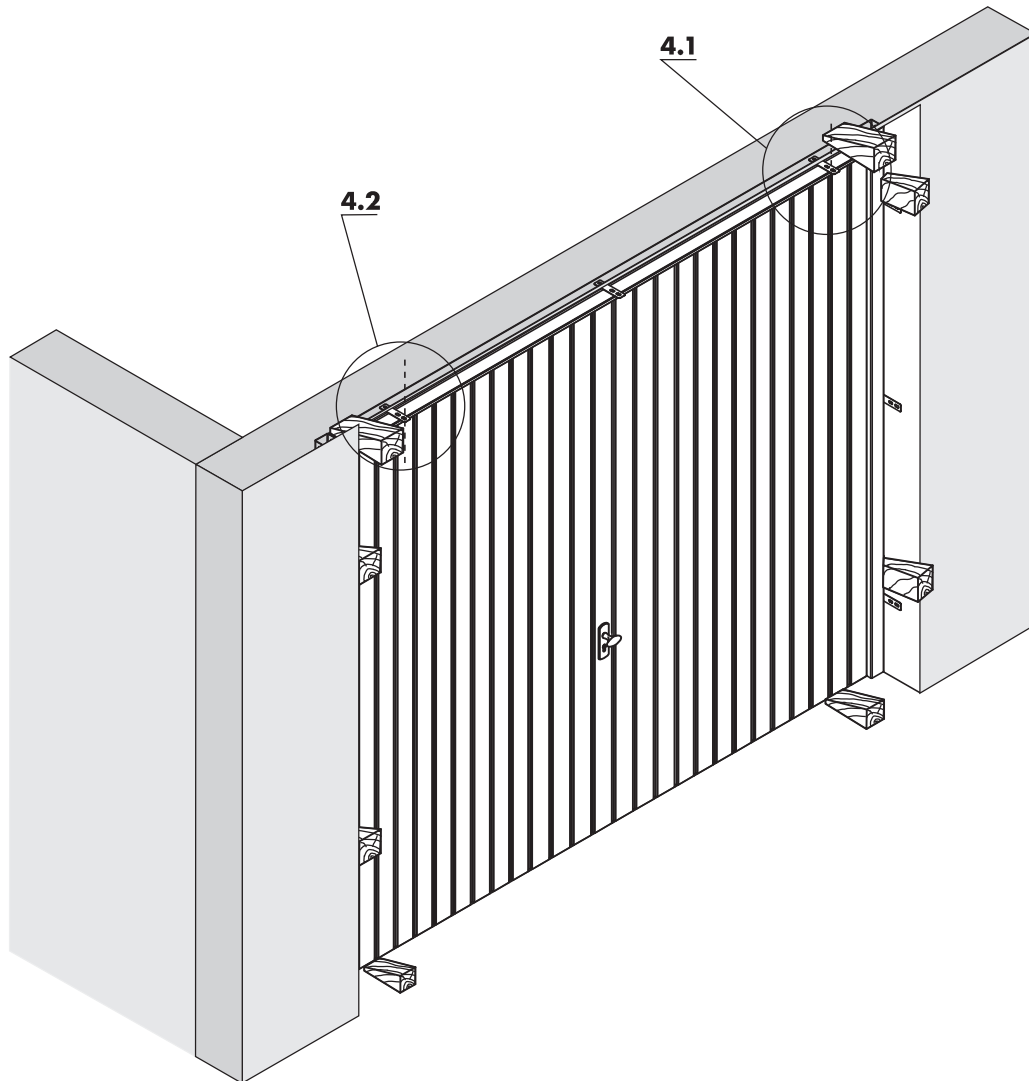
3.1



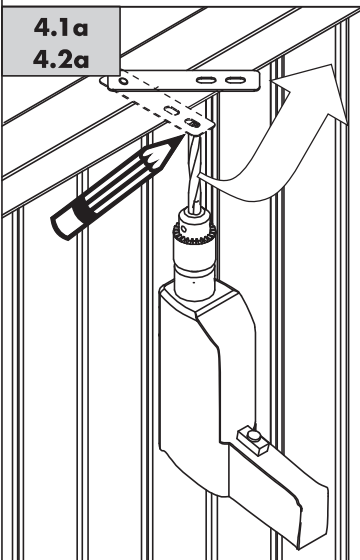
3.1



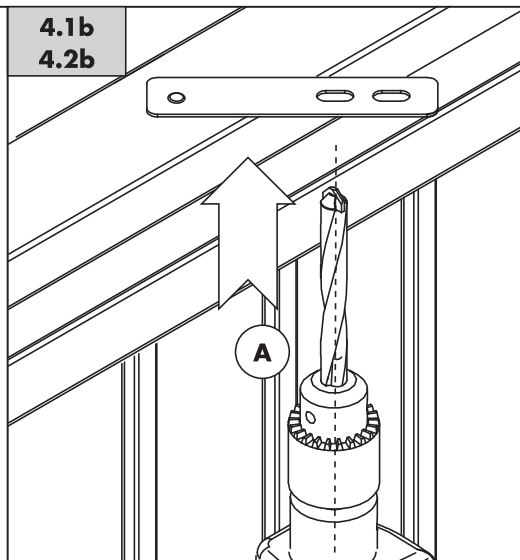
4



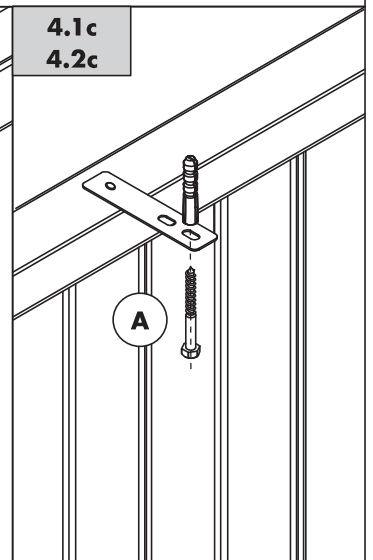
4.1a
4.2a



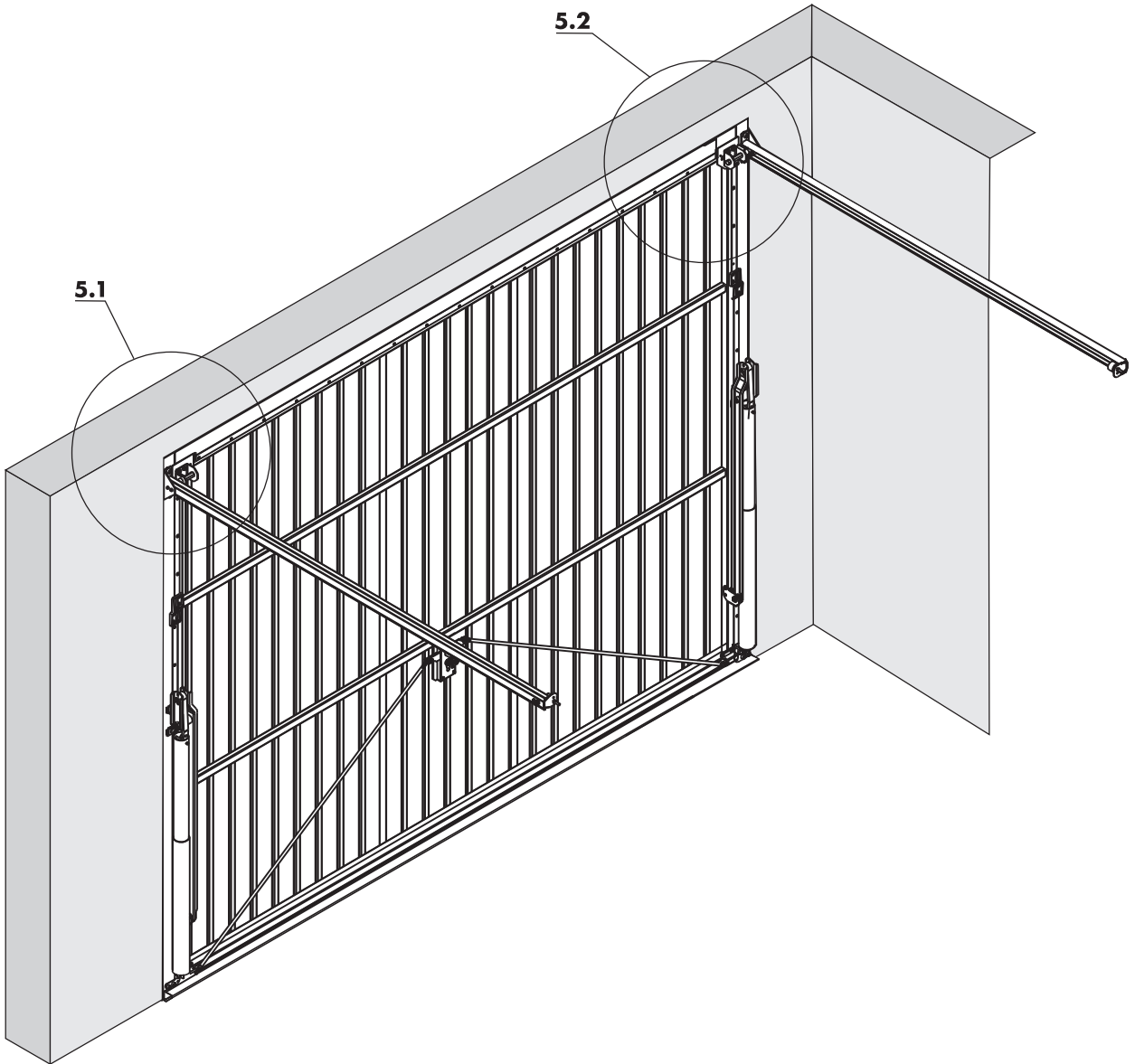
4.1b
4.2b



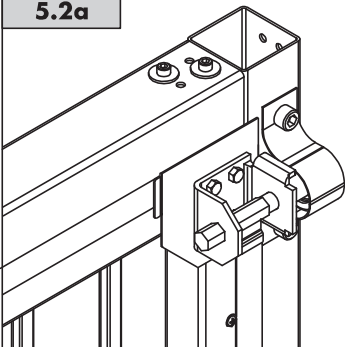
4.1c
4.2c



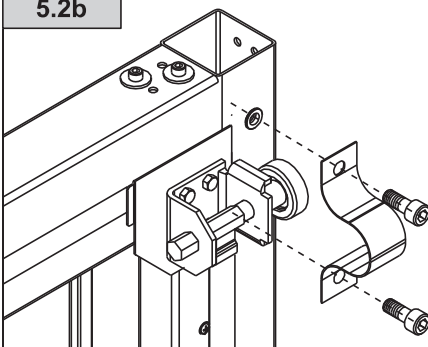
5



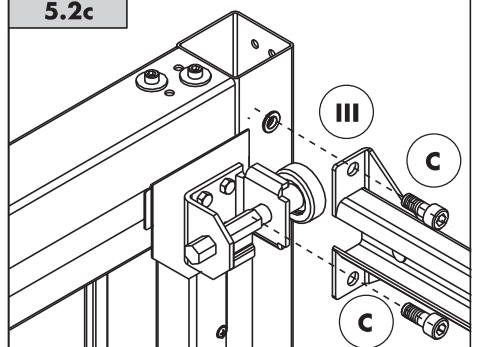
5.1a
5.2a



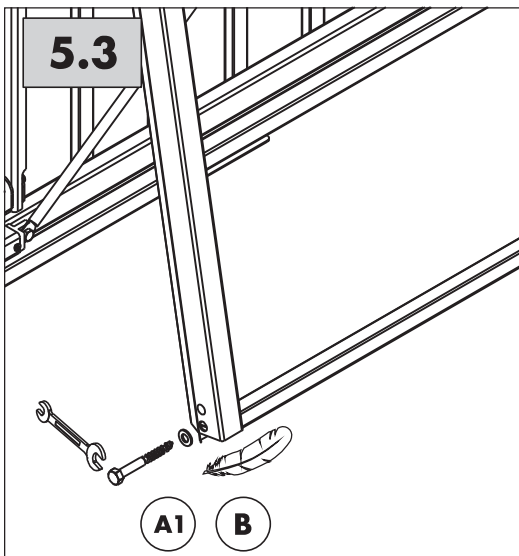
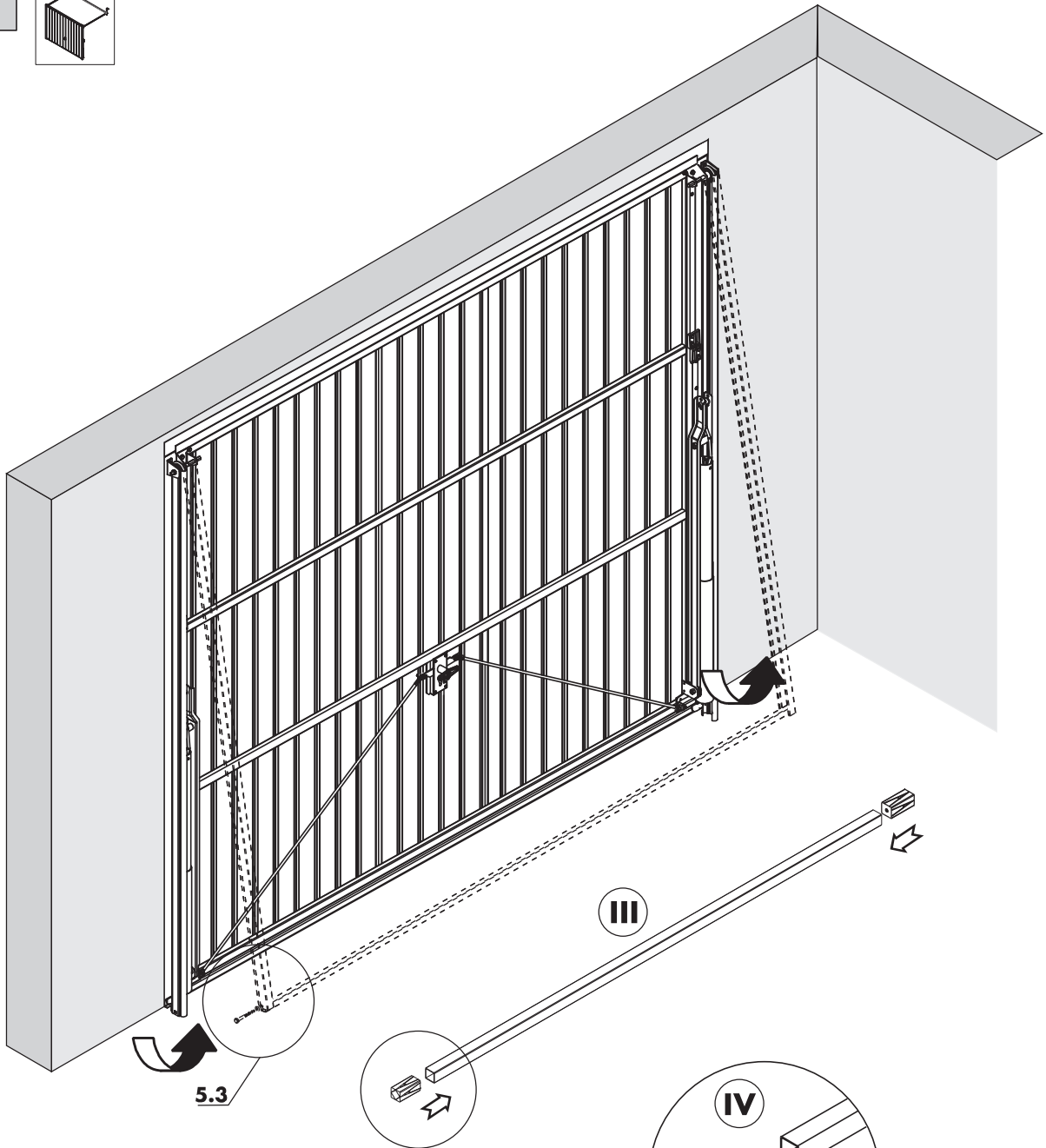
5.1b
5.2b

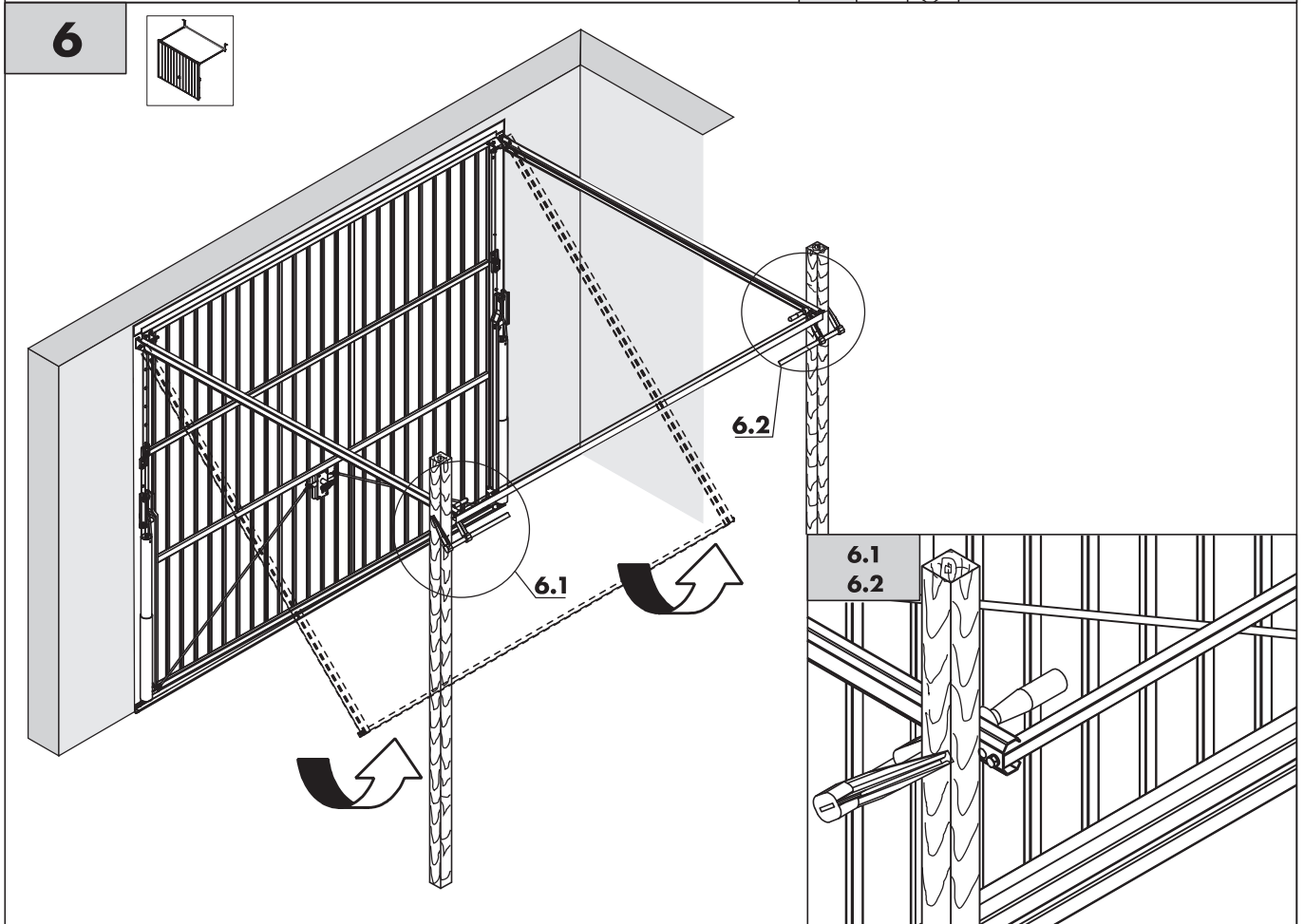
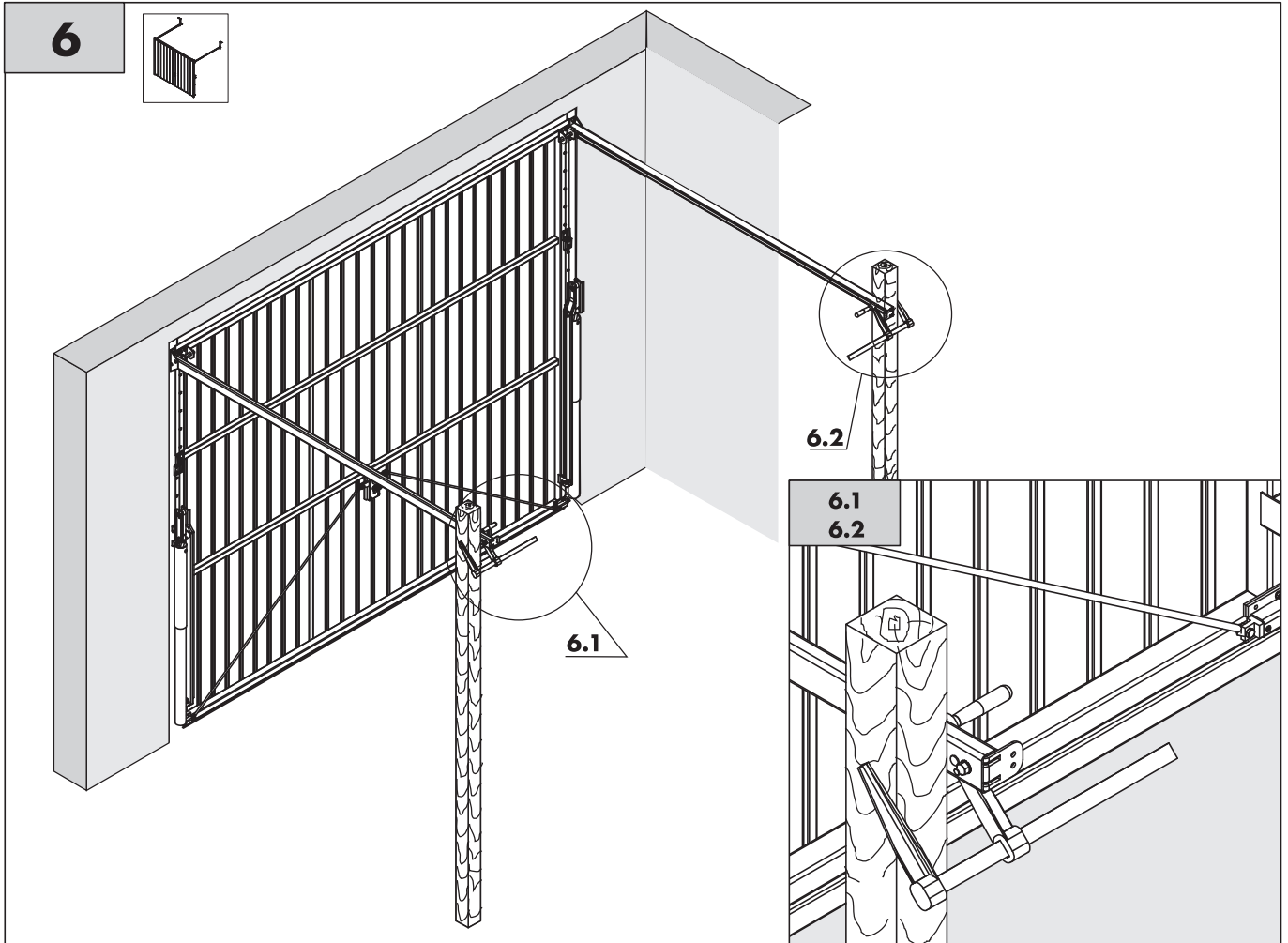


5.1c
5.2c

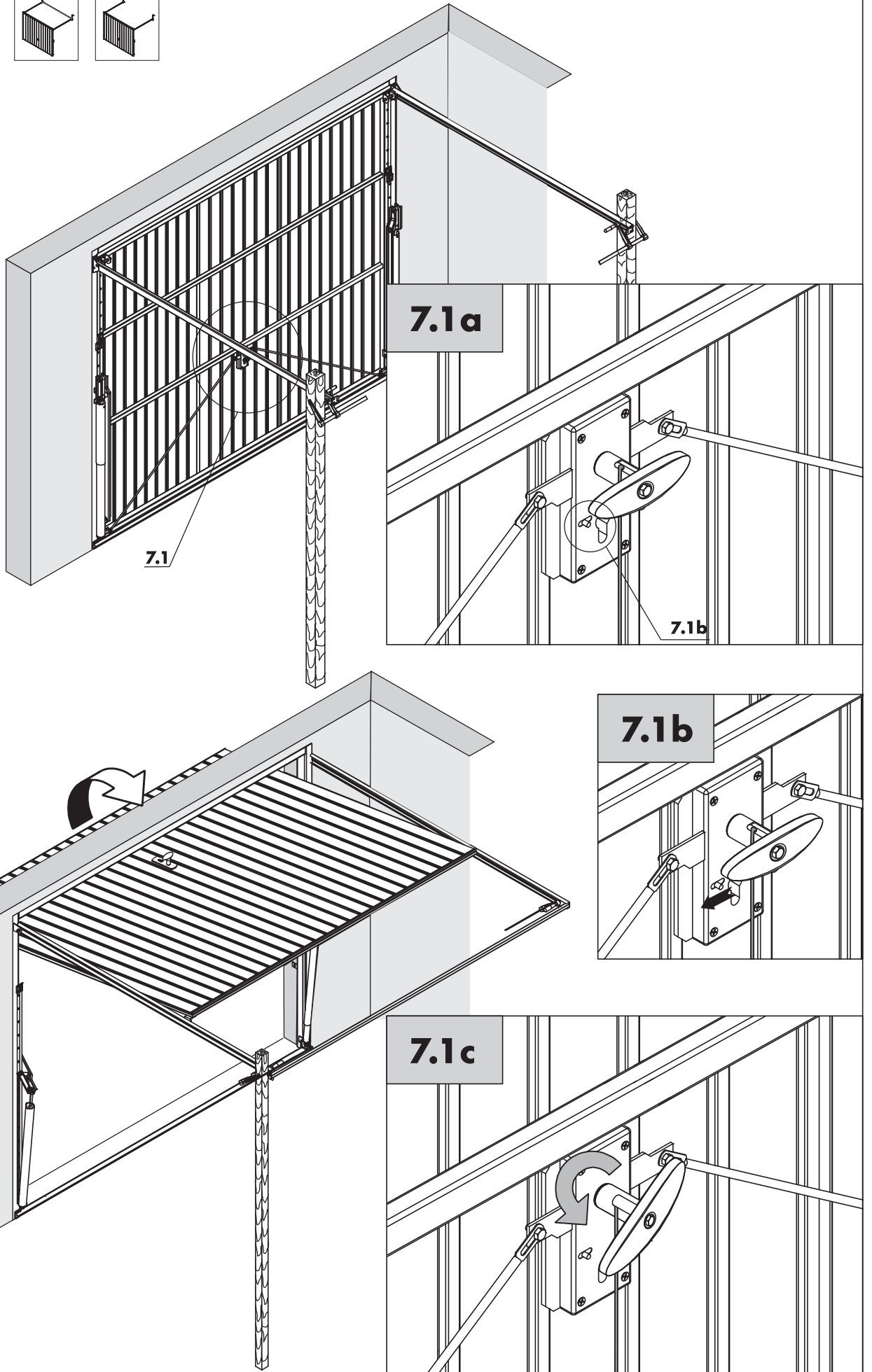
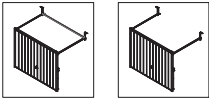


5

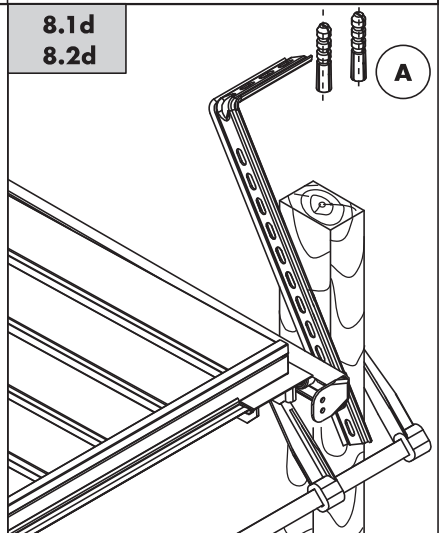
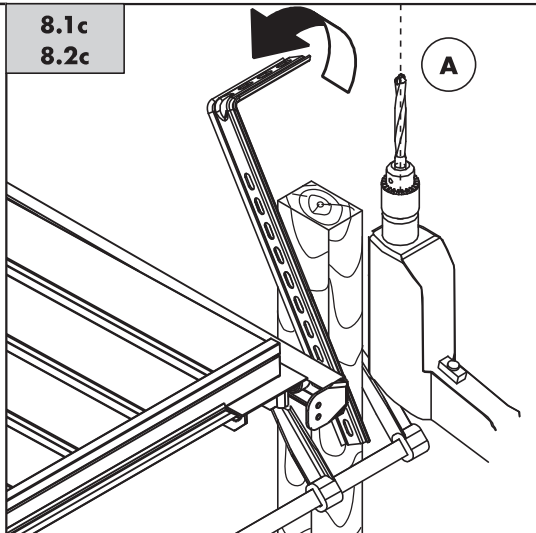
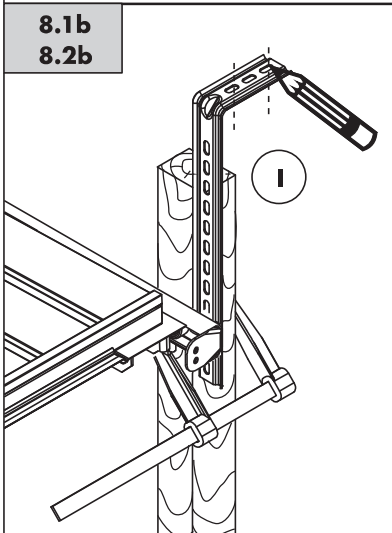
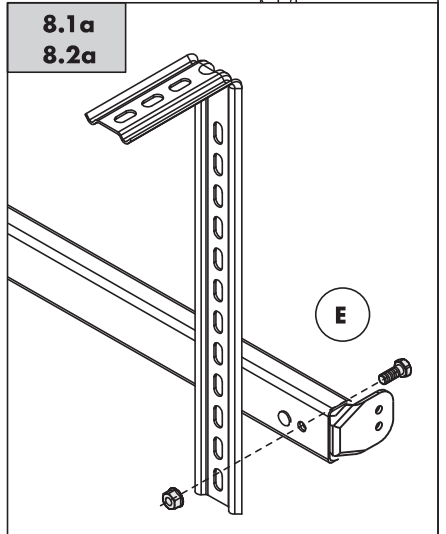
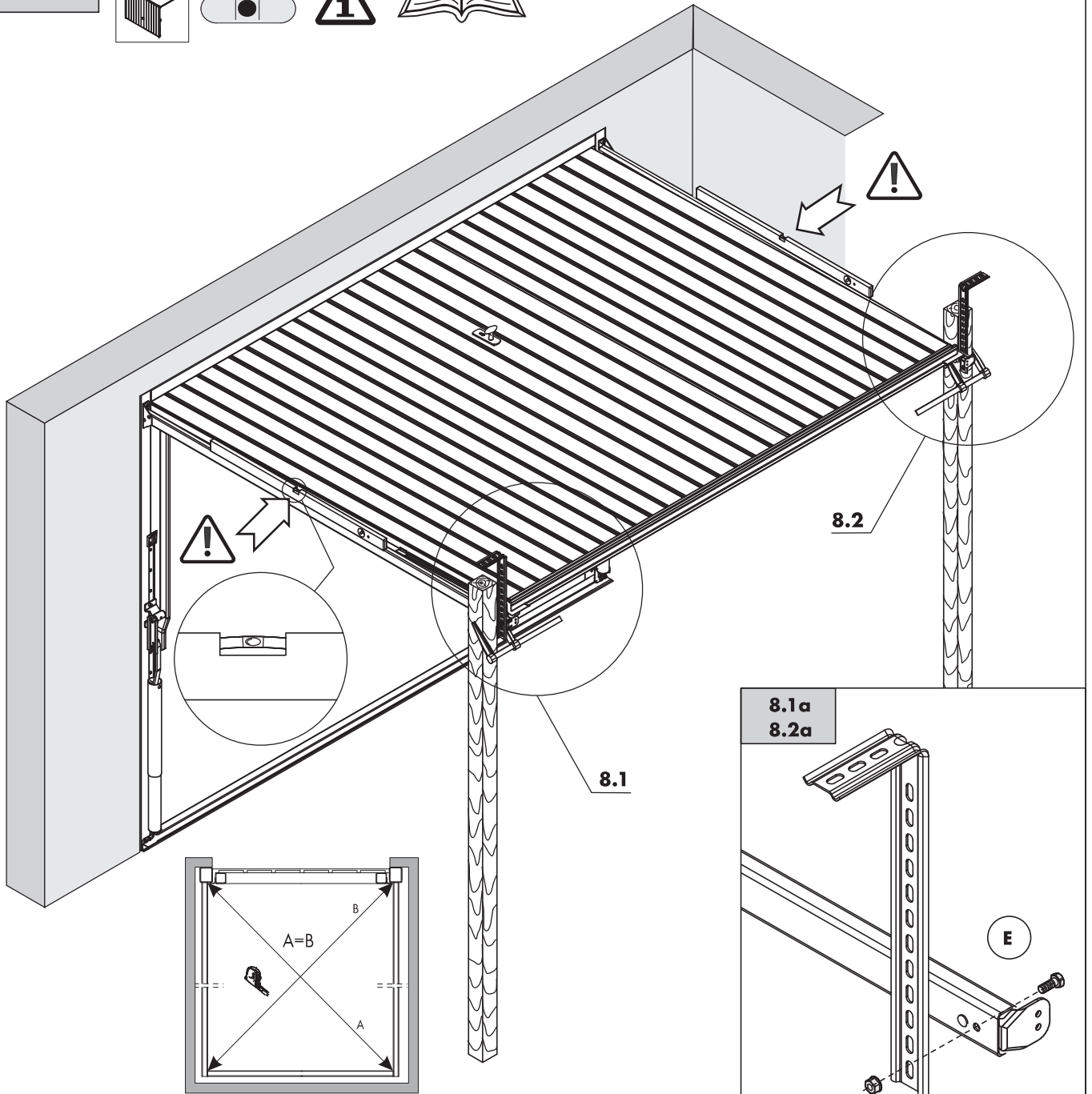




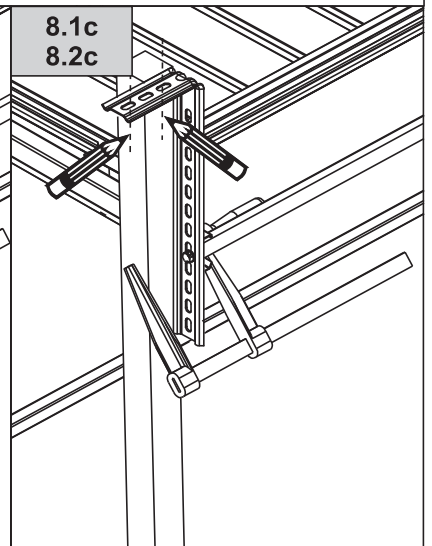
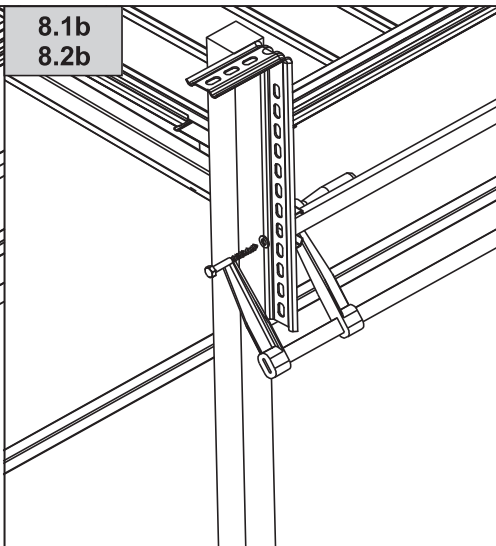
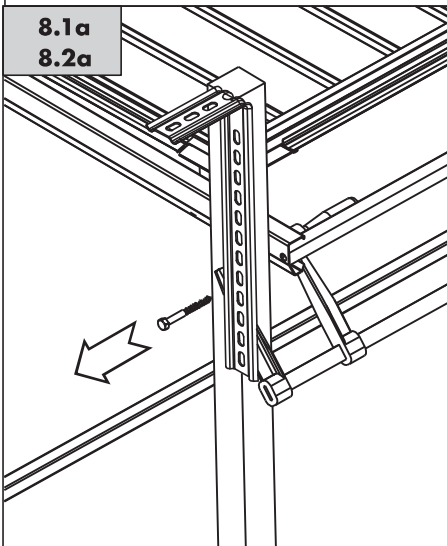
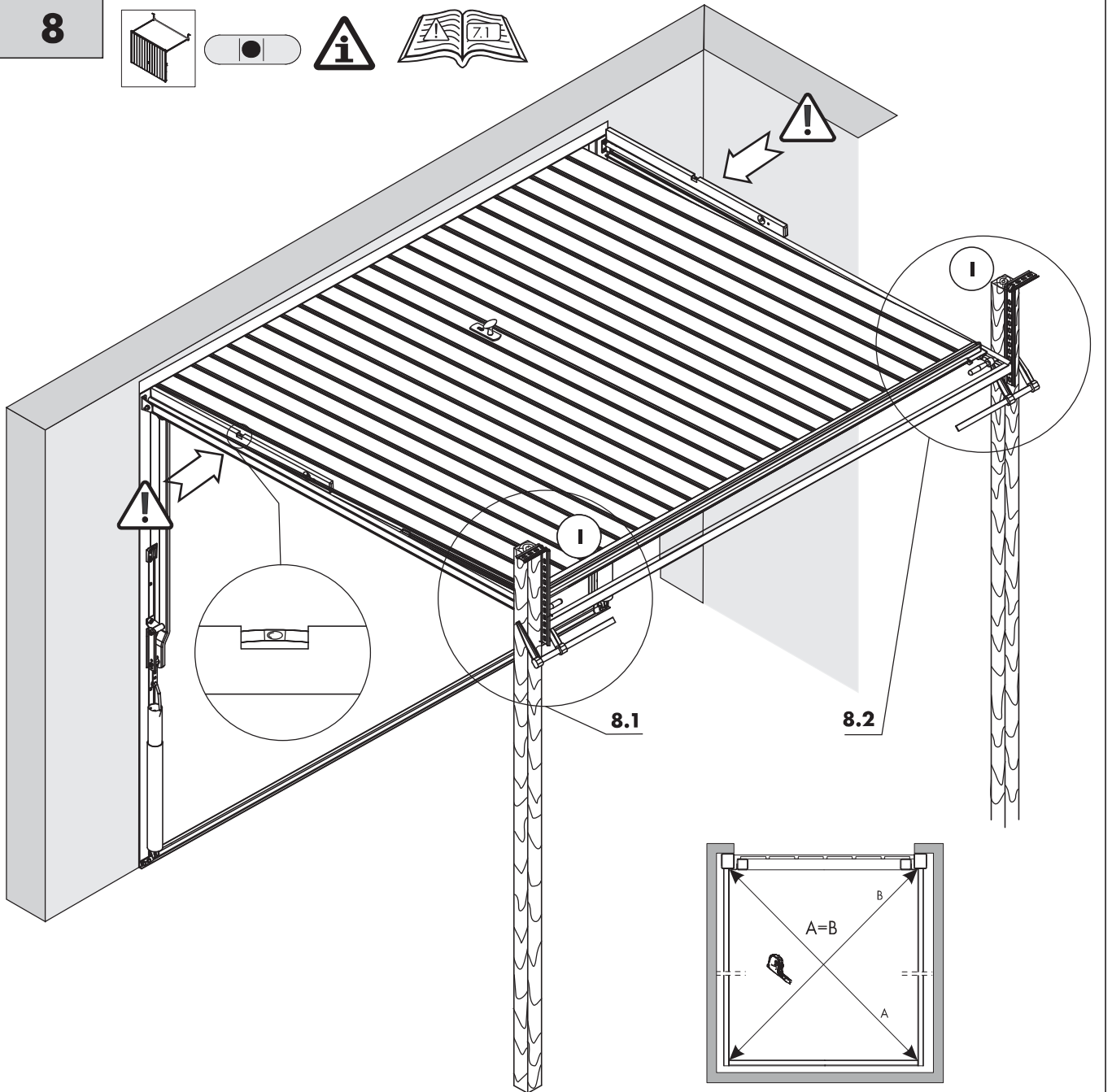
7



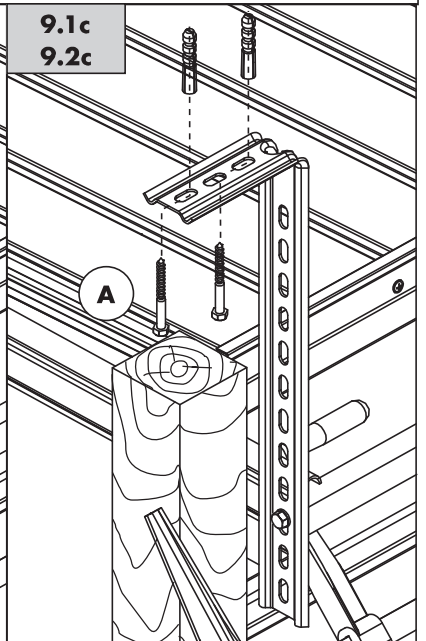
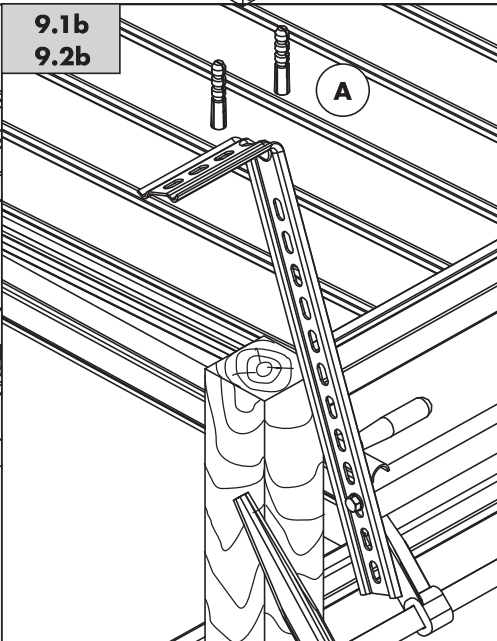
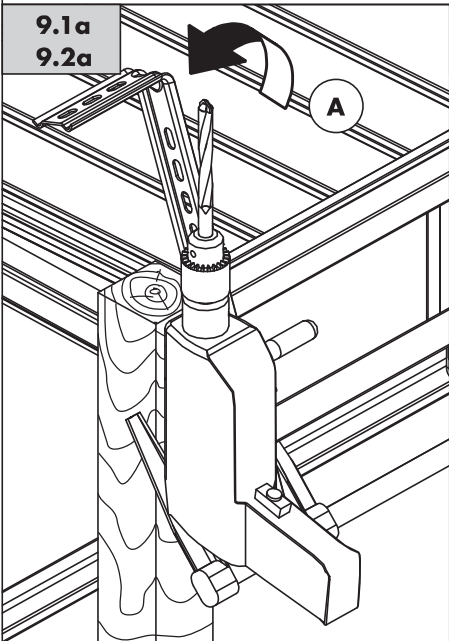
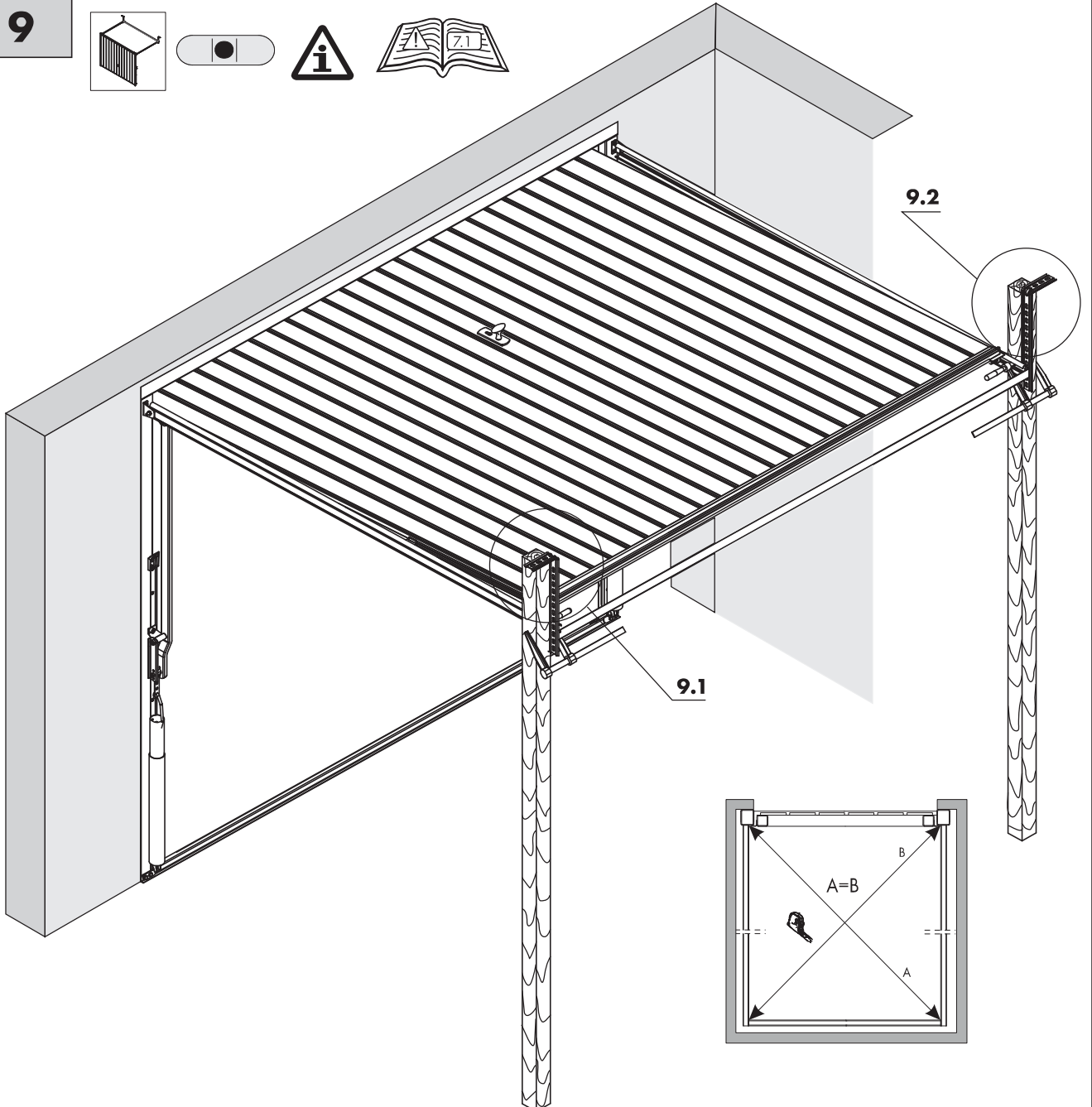
8



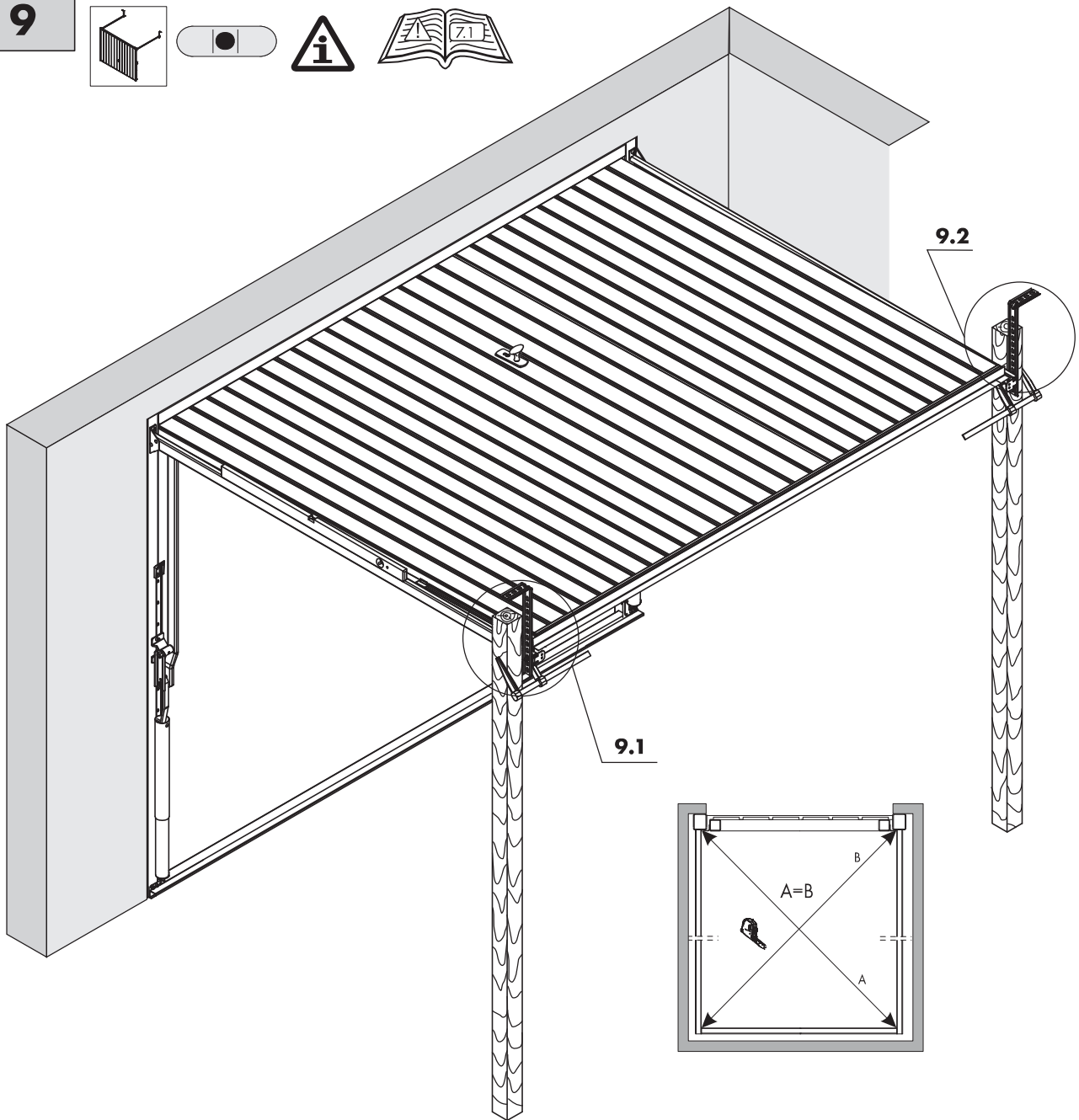
8



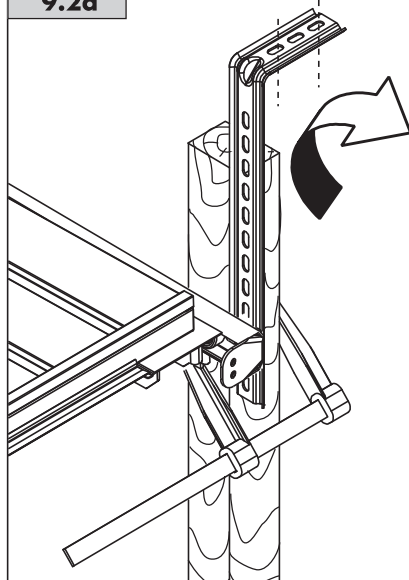
9



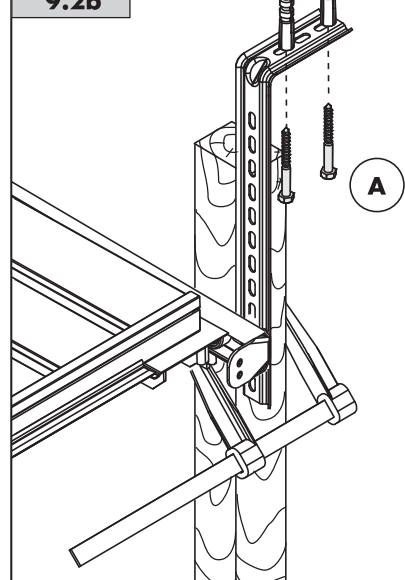
9

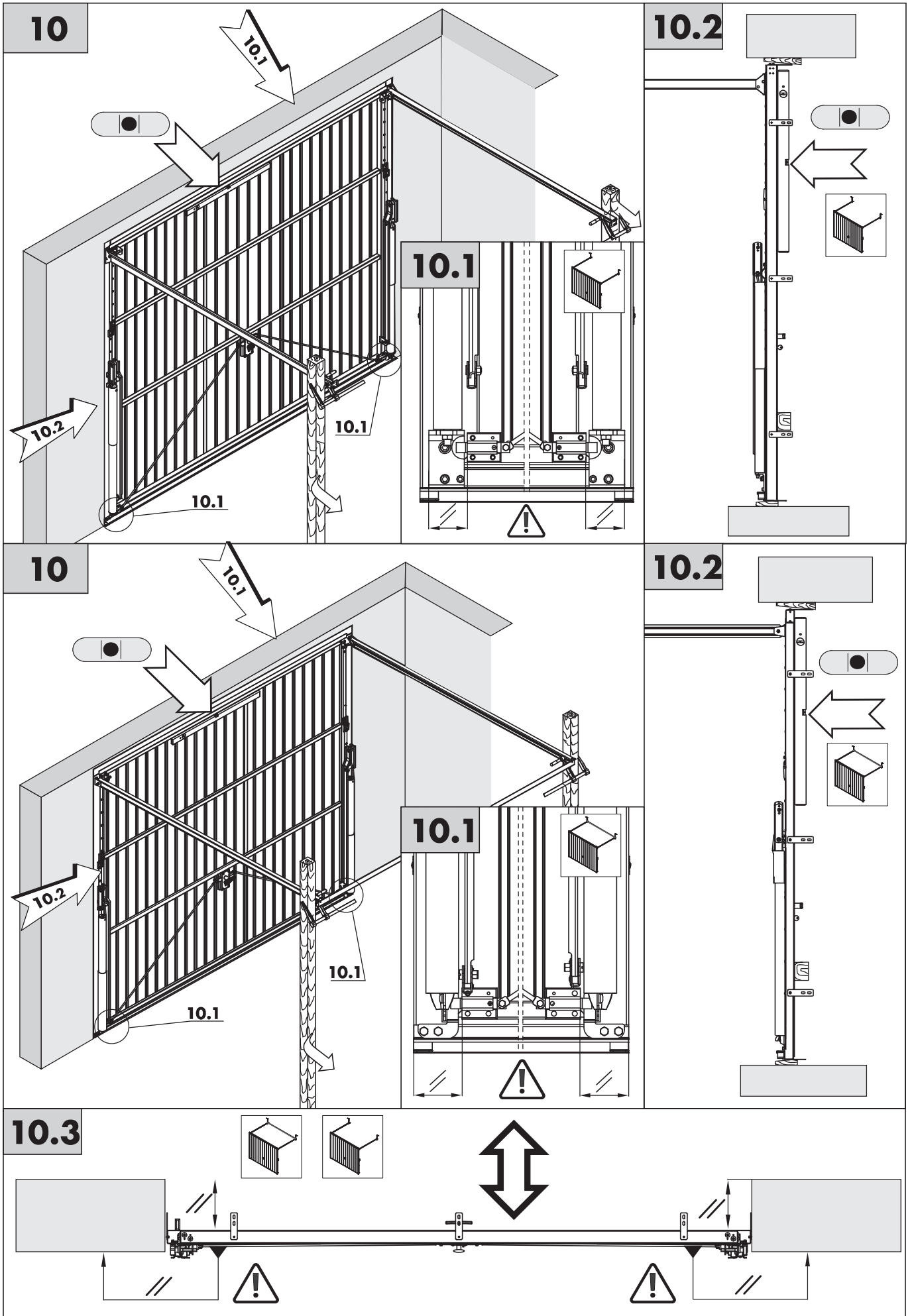


9.1a
9.2a

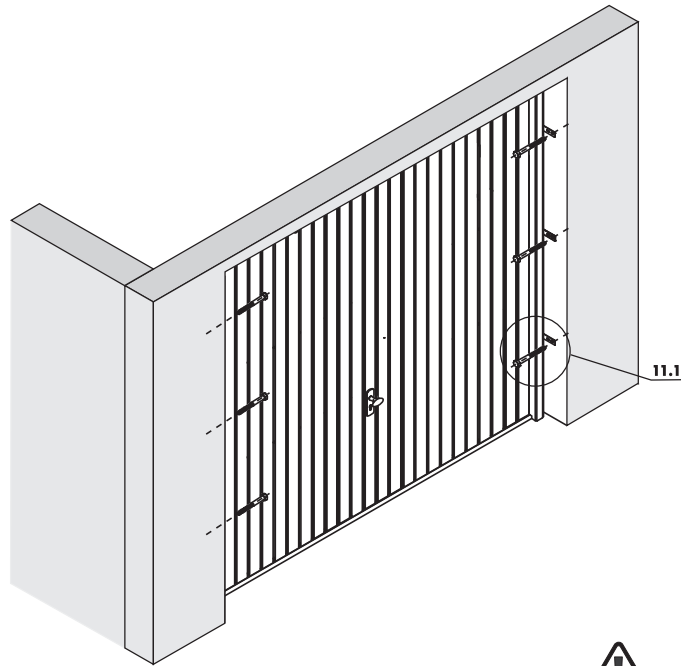
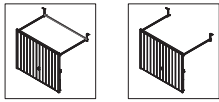


9.1b
9.2b





11

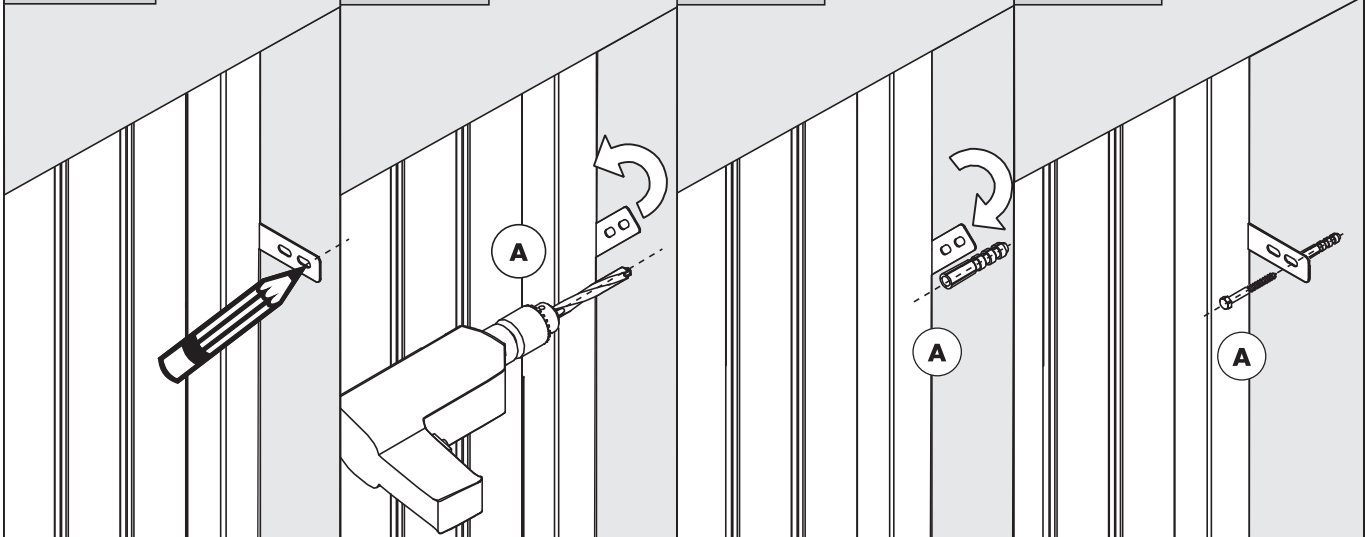


11.1a

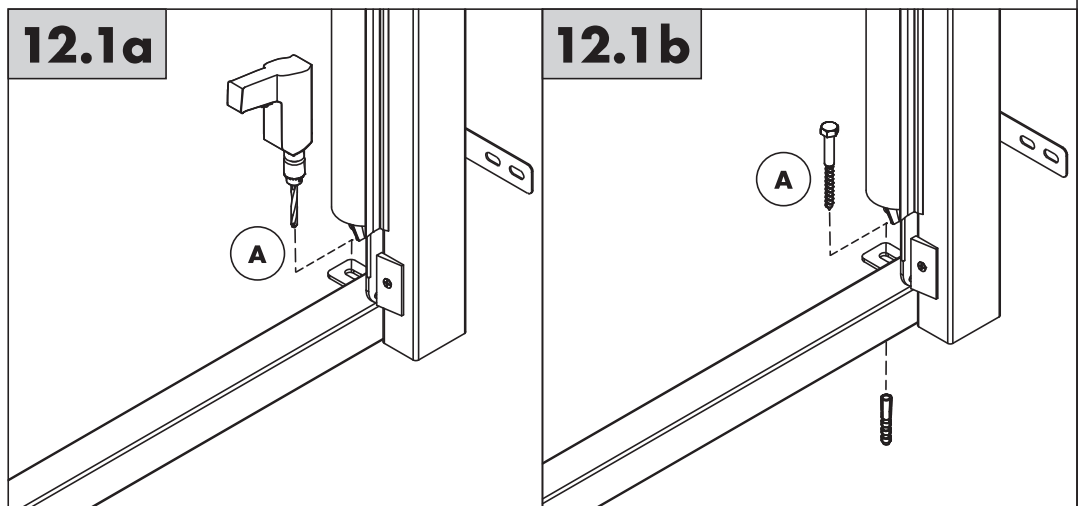
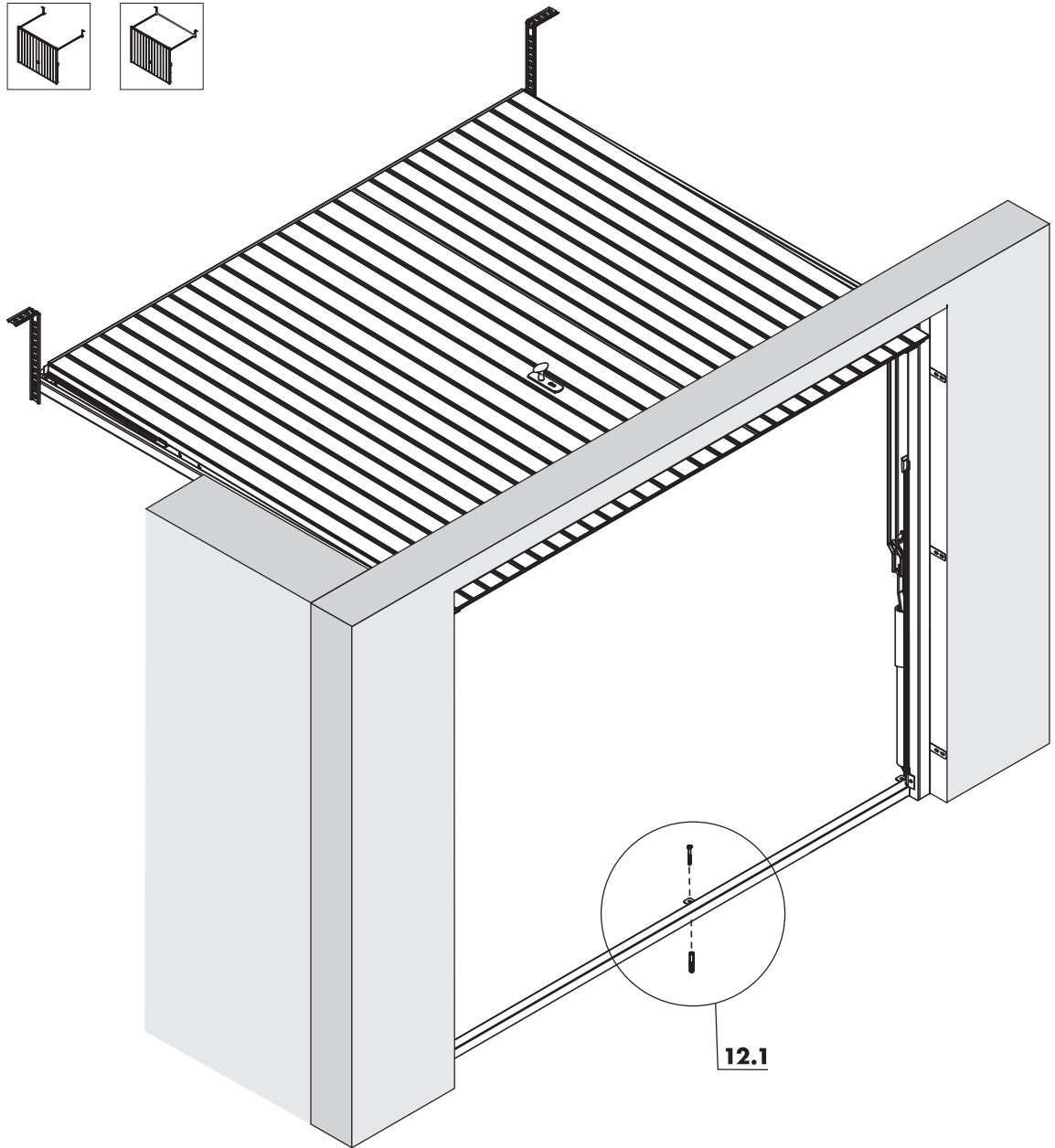
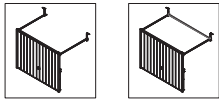
11.1b

11.1c

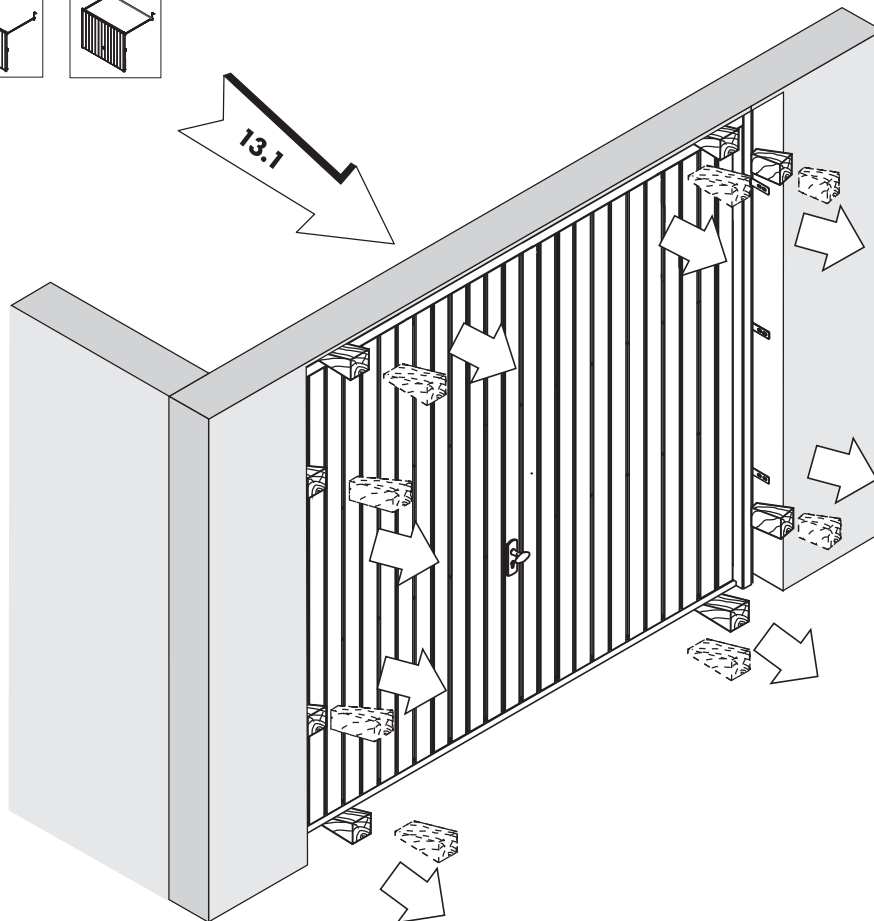
11.1d



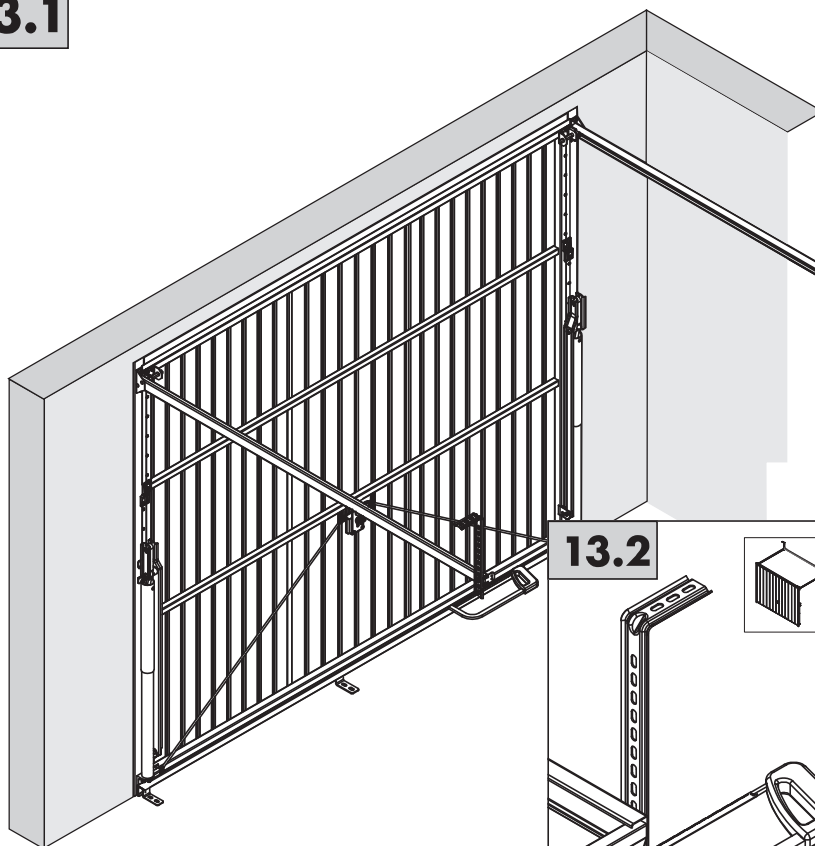
12



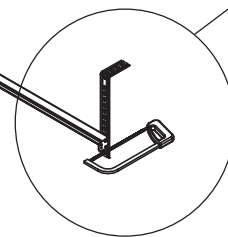
13



13.1



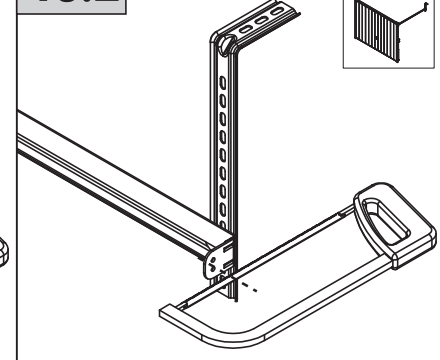
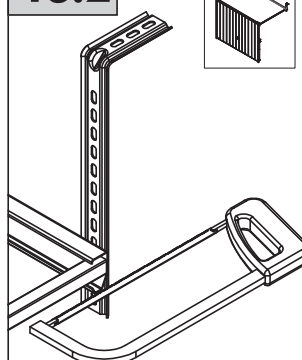
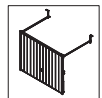
13.2



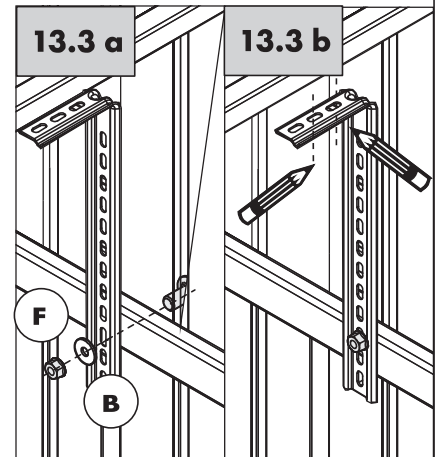
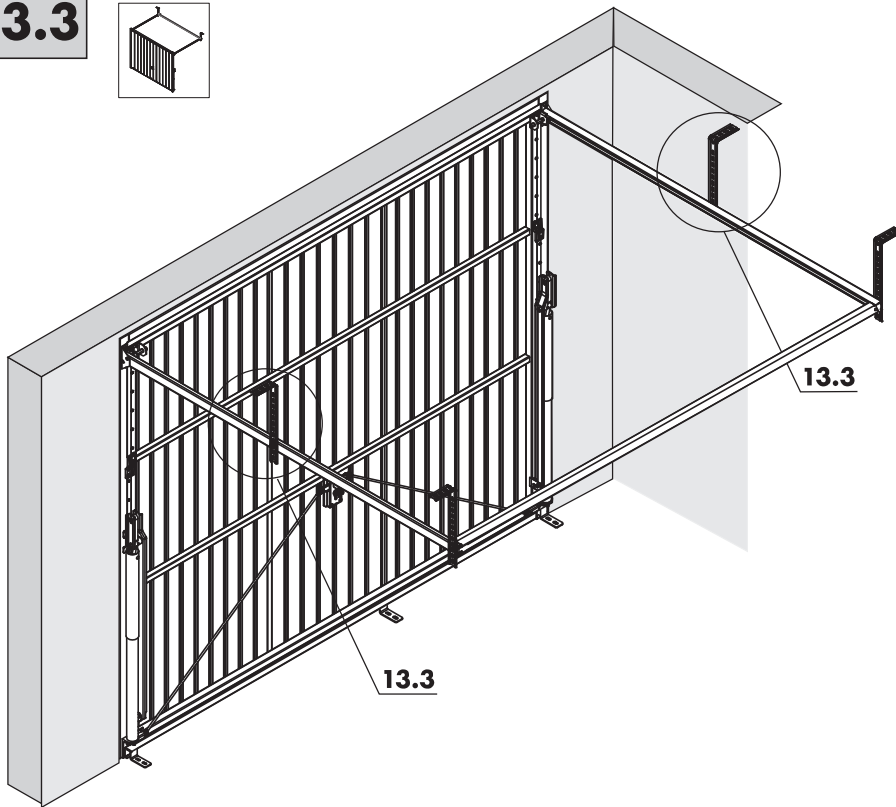
13.2



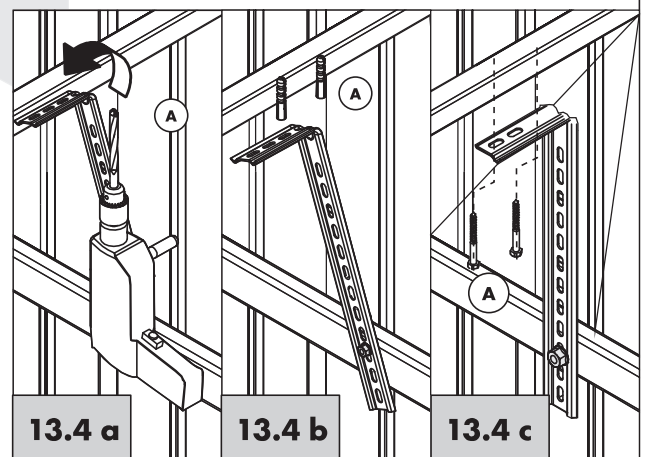
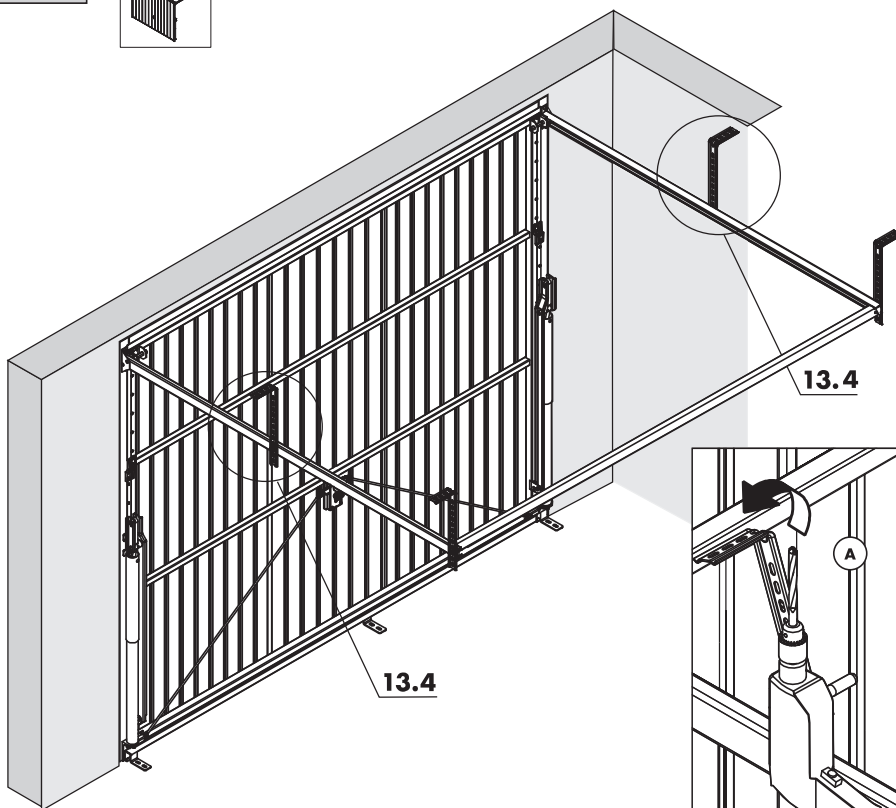
13.2



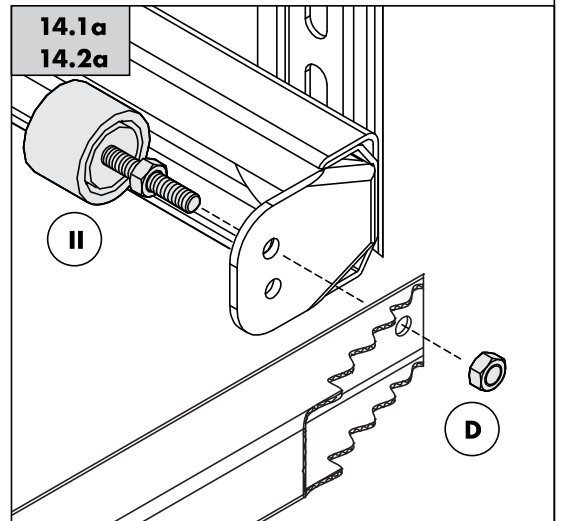
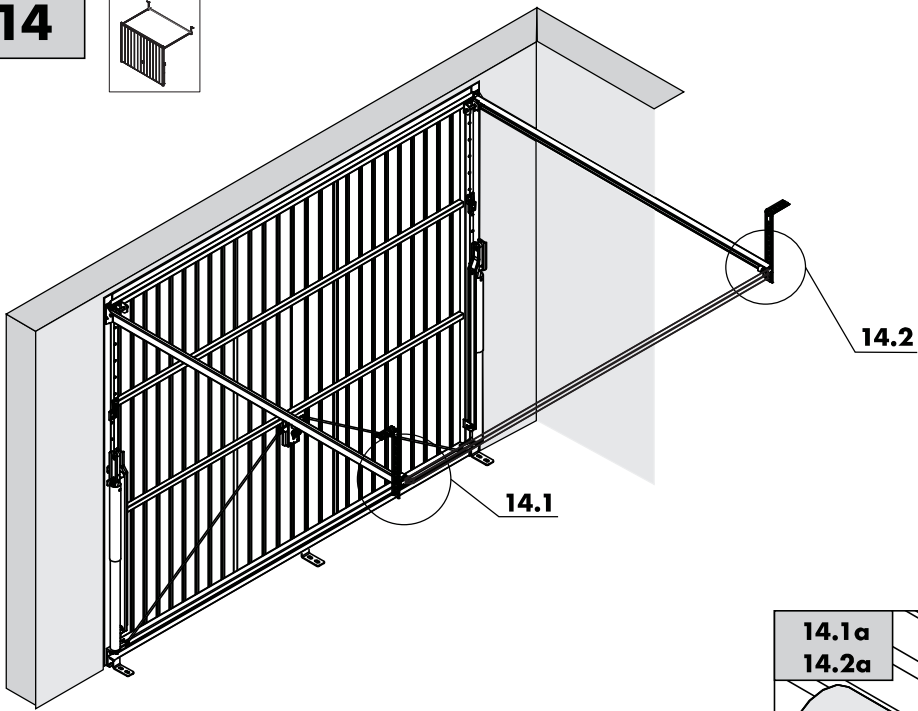
13.3



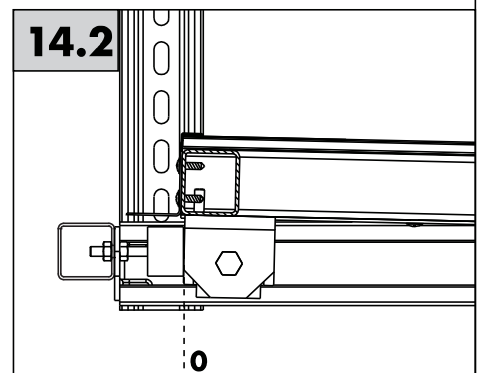
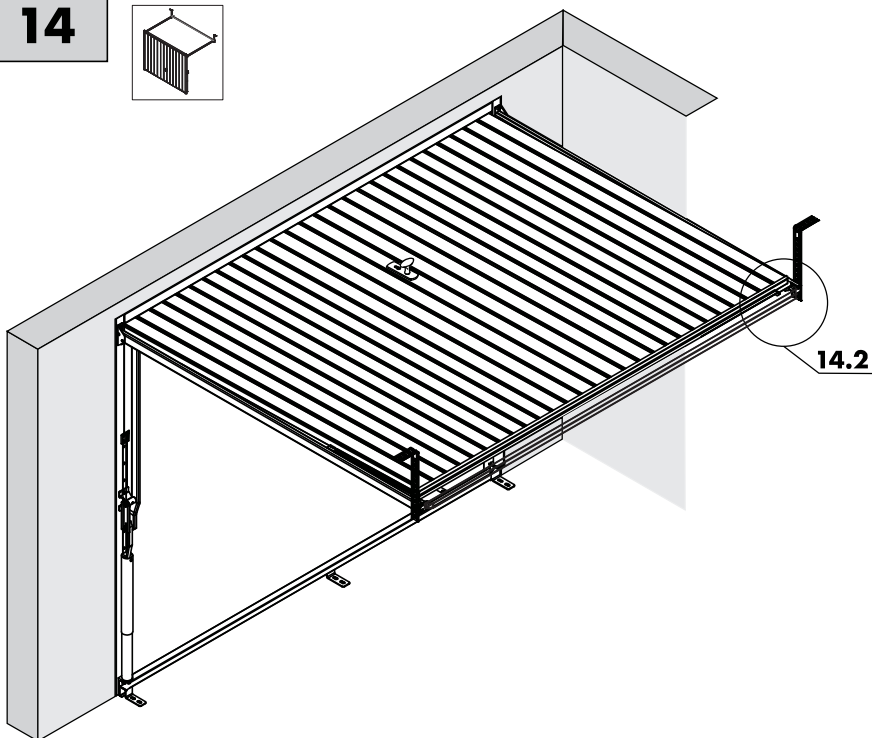
13.4



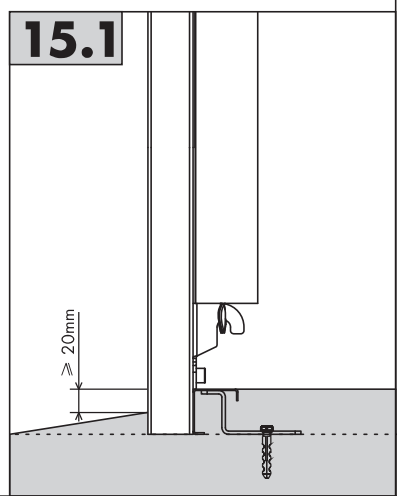
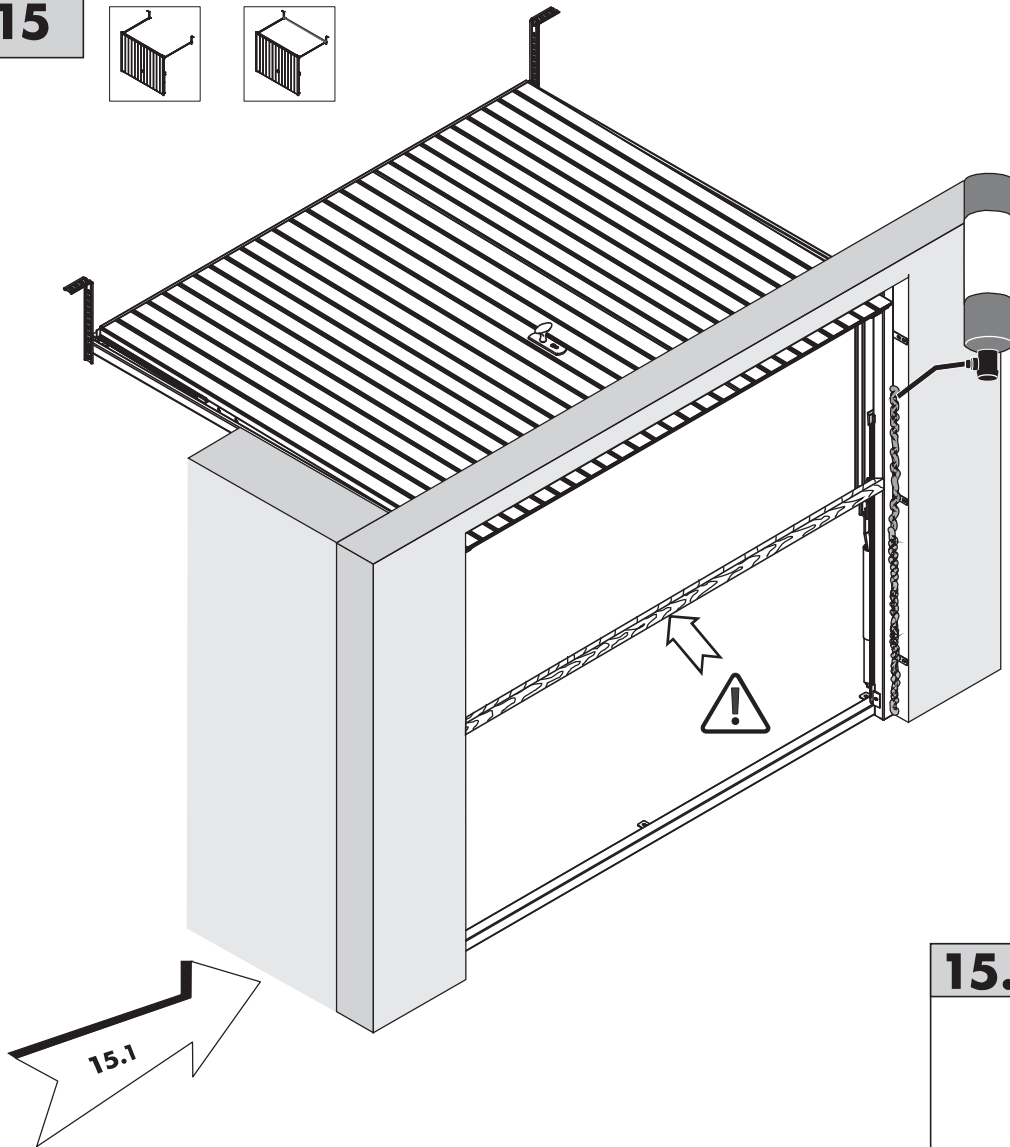
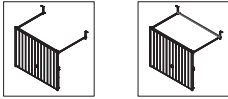
14



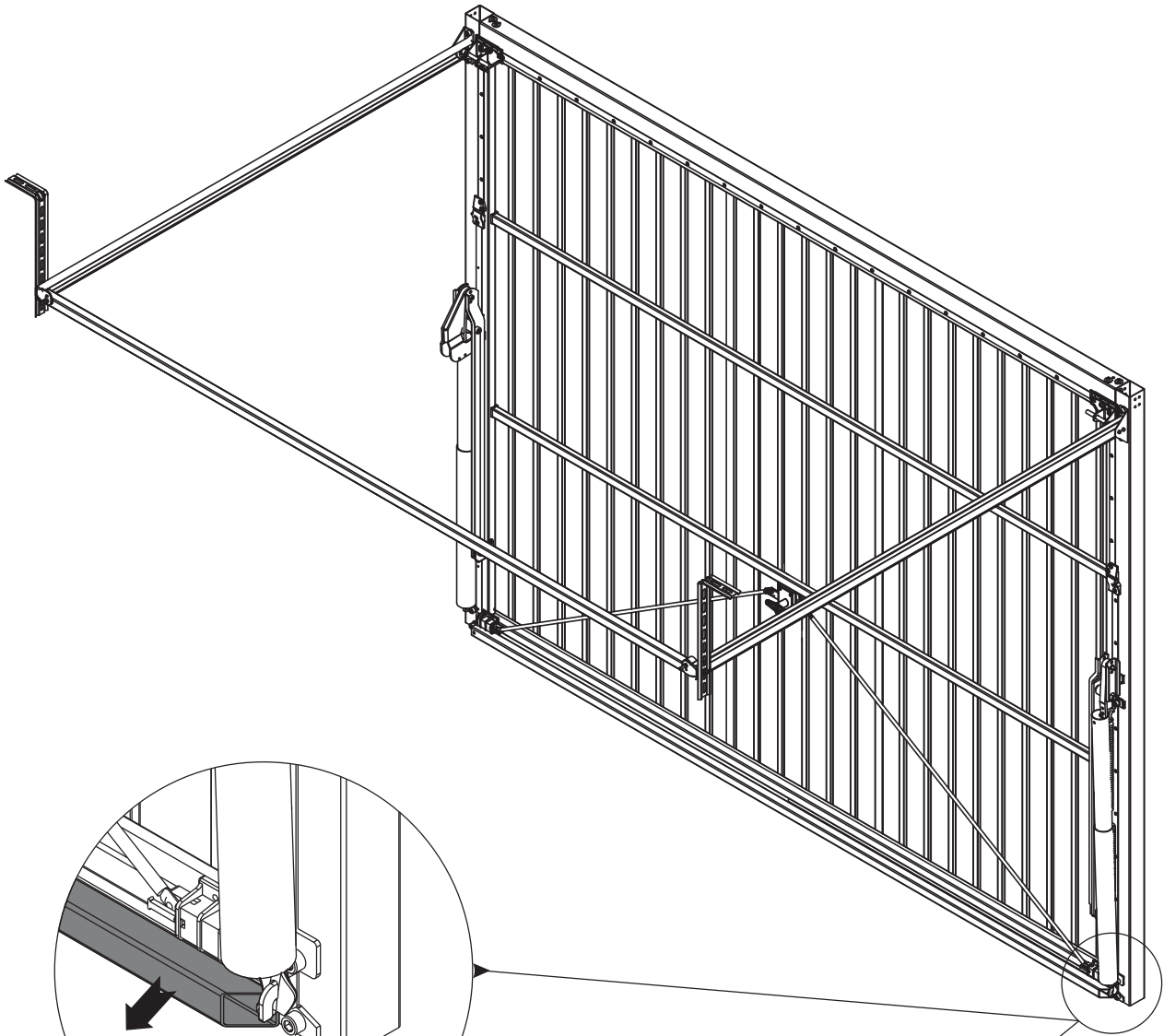
14



15



16



SE EG - Försäkran om överensstämmelse

Vi, **Entrematic Sweden AB, Box 160, 42321 Torslanda, Sverige**, försäkras härmed att produkten **One Piece Door** är framtagen och utformad i enlighet med kraven i följande direktiv: Byggproduktdirektivet 89/106/EG

Produkten överensstämmer med kraven i följande harmoniserande standard: EN 13241-1 (Bilaga ZA)

Testerna har utförts av följande notifierade organ:

ITB Instytut Techniki Budowlanej, Warsaw, Poland (European Notified Body Ne 1488)

Testresultat:

- Lufttäthet, EN 12427	Klass 0
- Vattentäthet, EN 12489	Klass 0
- Vindlast, EN 12424	Klass 4
- Klämkraft, EN 12445	Godkänd
- Säker användning, EN 12605	Godkänd
- Livslängdsprovning, EN 12605	Godkänd
- Farliga ämnen, EN 13241-1	

Torslanda, Sverige, 2012-11-09



Frank Achterboch, Supply Chain Director

NO EF – Forsikring om overensstemmelse

Vi, **Entrematic Sweden AB, Box 160, 42321 Torslanda, Sverige**, forsikrer herved at produktene **One Piece Door** er produsert og utformet i henhold til kravene i følgende direktiver: Byggevaredirektivet 89/106/EF

Produktene overensstemmer med kravene i følgende harmoniserte standard: EN 13241-1 (tillegg ZA)

Testene er utført av følgende rapporterte organ:

ITB Instytut Techniki Budowlanej, Warsaw, Poland (European Notified Body Ne 1488)

Testresultat:

- Lufttetthet, EN 12427	Klasse 0
- Vanntetthet, EN 12489	Klasse 0
- Vindbelastning, EN 12424	Klasse 4
- Klemkraft, EN 12445	Godkjent
- Sikker bruk, EN 12605	Godkjent
- Levetidstest, EN 12605	Godkjent
- Farlige stoffer, EN 13241-1	

Torslanda, Sverige, 2012-11-09



Frank Achterboch, Supply Chain Director

DK EF-overensstemmelseerklæring

Vi, **Entrematic Sweden AB, Postboks 160, 42321 Torslanda, Sverige**, erklærer hermed, at produktet **One Piece Door** er fremstillet og udformet iht. kravene i følgende direktiver: Byggevaredirektivet 89/106/EF

Produkterne overholder kravene i følgende harmoniserede standarder: EN 13241-1 (Bilag ZA)

Test er udført af følgende notificerede organ:

ITB Instytut Techniki Budowlanej, Warsaw, Poland (European Notified Body Ne 1488)

Testresultat:

- Lufttæthed, EN 12427	Klasse 0
- Vandtæthed, EN 12489	Klasse 0
- Vindbelastning, EN 12424	Klasse 4
- Klemkraft, EN 12445	Godkendt
- Sikker anvendelse, EN 12605	Godkendt
- Levetidstest, EN 12605	Godkendt
- Farlige stoffer, EN 13241-1	

Torslanda, Sverige, 2012-11-09



Frank Achterboch, Supply Chain Director

FI EY-yhdenmukaisuusvakuutus

Me, **Entrematic Sweden AB, Box 160, 42321 Torslanda, Ruotsi**, vakuutamme täten, että tuote **One Piece Door** on tuotettu ja suunniteltu seuraavien direktiivien vaatimusten mukaisesti: Rakennustuotedirektiivi 89/106/EY

Tuote vastaa seuraavien yhdenmukaistettujen standardien vaatimuksia: EN 13241-1 (Liite ZA).

Testit on suorittanut seuraava ilmoitettu toimielin:

ITB Instytut Techniki Budowlanej, Warsaw, Poland (European Notified Body Ne 1488)

Testitulokset:

- Ilmativiys, EN 12427	Luokka 0
- Vesitiiviys, EN 12489	Luokka 0
- Tuulikuorma, EN 12424	Luokka 4
- Puristusvoima, EN 12445	Hyväksytty
- Turvallinen käyttö, EN 12605	Hyväksytty
- Elinikätesti, EN 12605	Hyväksytty
- Vaaralliset aineet, EN 13241-1	

Torslanda, Ruotsi, 2012-11-09



Frank Achterboch, Supply Chain Director

GB EU - Declaration of Conformity

We, **Entrematic Sweden AB, Box 160, SE-42321 Torslanda, Sweden**, declare under sole responsibility that the product **One Piece Door** is in conformity with the essential requirements and other provisions in the following directives: Construction Products Directive 89/106/EC

The product conforms with the requirements in the following harmonized standards: EN 13241-1 (Annex ZA)

Tests have been performed by the following accredited body:

ITB Instytut Techniki Budowlanej, Warsaw, Poland (European Notified Body Ne 1488)

Test results:

- Air permeability, EN 12427	Class 0
- Resistance to water penetration, EN 12489	Class 0
- Wind load, EN 12424	Class 4
- Entrapment forces, EN 12445	Approved
- Safe usage, EN 12605	Approved
- Mechanical durability, EN 12605	Approved
- Hazardous substances, EN 13241-1	

Torslanda, Sweden, 2012-11-09



Frank Achterboch, Supply Chain Director

DE EG-Konformitätserklärung

Hiermit erklären wir, **Entrematic Sweden AB, Box 160, 42321 Torslanda, Schweden**, dass das Produkt **One Piece Door** aufgrund seiner Konzipierung und Bauart den Bestimmungen der unten aufgeführten Richtlinien entspricht:

Bauproduktenrichtlinie 89/106/EWG

Das Produkt entspricht den Anforderungen der folgenden harmonisierten Norm: EN 13241-1 (Anhang ZA)

Prüfungen wurden durch die folgende benannte Stelle durchgeführt:

ITB Instytut Techniki Budowlanej, Warsaw, Poland (European Notified Body Ne 1488)

Prüfergebnis:

- Luftdurchlässigkeit, EN 12427	Klasse 0
- Widerstand gegen eindringendes Wasser, EN 12489	Klasse 0
- Widerstand gegen Windlast, EN 12424	Klasse 4
- Nutzungssicherheit kraftbetätigter Tore, EN 12445	Bestanden
- Sichere Anwendung, EN 12605	Bestanden
- Prüfung der Lebensdauer, EN 12605	Bestanden
- Freisetzung gefährlicher Substanzen, EN 13241-1	

Torslanda, Schweden, 2012-11-09



Frank Achterboch, Supply Chain Director

FR CE - Déclaration de conformité

Nous soussignés **Entrematic Sweden AB, Box 160, 42321 Torslanda, Suède**, garantissons par la présente que le produit **One Piece Door** est fabriqué et conçu selon les exigences des directives suivantes :

Directive « produits de construction » 89/106/CE

Ce produit répond aux exigences de la norme harmonisée suivante : EN 13241-1 (annexe ZA)

Les essais ont été effectués par l'organisme notifié ci-après :

ITB Instytut Techniki Budowlanej, Warsaw, Poland (European Notified Body Ne 1488)

Résultat des essais :

- | | |
|--------------------------------------------|-----------|
| - perméabilité à l'air, EN 12427 | classe 0 |
| - perméabilité à l'eau, EN 12489 | classe 0 |
| - pression de vent, EN 12424 | classe 4 |
| - force d'impact, EN 12445 | Homologué |
| - sécurité d'utilisation, EN 12605 | Homologué |
| - méthodes d'essai, durée de vie, EN 12605 | Homologué |
| - substances dangereuses, EN 13241-1 | |

Torslanda, Suède, le 2012-11-09

Frank Achterboch, Supply Chain Director

NL EG- Verklaring van overeenstemming

Wij, **Entrematic Sweden AB, Box 160, 42321 Torslanda, Zweden**, verklaren hierbij dat het product **One Piece Door** is ontwikkeld en vormgegeven volgens de eisen in de volgende richtlijnen:

De Bouwproductenrichtlijn 89/106/EG

Het product komt overeen met de eisen in de volgende geharmoniseerde normen: EN 13241-1 (bijlage ZA)

Er zijn testen uitgevoerd door de volgende aangemelde instanties:

ITB Instytut Techniki Budowlanej, Warsaw, Poland (European Notified Body Ne 1488)

Testresultaten:

- | | |
|-----------------------------------|-------------|
| - Luchtdichtheid, EN 12427 | Klasse 0 |
| - Waterdichtheid, EN 12489 | Klasse 0 |
| - Windbelasting, EN 12424 | Klasse 4 |
| - Klemkracht, EN 12445 | Goedgekeurd |
| - Veilig gebruik, EN 12605 | Goedgekeurd |
| - Levensduurtesten, EN 12605 | Goedgekeurd |
| - Gevaarlijke stoffen, EN 13241-1 | |

Torslanda, Zweden, 2012-11-09

Frank Achterboch, Supply Chain Director

PL Deklaracja zgodności WE

Firma **Entrematic Sweden AB, Box 160, 42321 Torslanda, Szwecja** zapewnia niniejszym, że produkt **One Piece Door** został opracowany i wykonany zgodnie z wymogami zawartymi w następujących dyrektywach:

Dyrektywa o wyrobach budowlanych 89/106/WE

Produkt spełnia wymogi następujących norm zharmonizowanych:

EN 13241-1 (Załącznik ZA)

Testy przeprowadzili następujące jednostki notyfikowane:

ITB Instytut Techniki Budowlanej, Warsaw, Poland (European Notified Body Ne 1488)

Wynik testów:

- | | |
|----------------------------------------------------------|-------------|
| - Szczelność powietrzna, EN 12427 | Klasa 0 |
| - Wodoszczelność, EN 12489 | Klasa 0 |
| - Odporność na obciążenie wiatrem, EN 12424 | Klasa 4 |
| - Siła nacisku, EN 12445 | Dopuszczono |
| - Bezpieczna eksploatacja, EN 12605 | Dopuszczono |
| - Próba określająca długość czasu eksploatacji, EN 12605 | Dopuszczono |
| - Substancje niebezpieczne, EN 13241-1 | |

Torslanda, Szwecja, 2012-11-09

Frank Achterboch, Supply Chain Director

HU EG-Megfelelőségi nyilatkozat

Az **Entrematic Sweden AB, Box 160, 42321 Torslanda, Svédország**, ezennel Tanúsítja, hogy a **One Piece Door** termék az alábbi irányelvek követelményeinek megfelelően került kialakításra:

az Építési termékekre vonatkozó 89/106/EG számú irányelv

A termék megfelel az alábbi összehangolt szabvány követelményeinek:

EN 13241-1 (ZA Melléklet)

A tesztelést az alábbi bejelentett szerv végezte:

ITB Instytut Techniki Budowlanej, Warsaw, Poland (European Notified Body Ne 1488)

Teszteredmények:

- | | |
|----------------------------------------------|------------|
| - Légáteresztés, EN 12427 | 0. osztály |
| - Vízállóság, EN 12489 | 0. osztály |
| - Szélteherrel szembeni ellenállás, EN 12424 | 4. osztály |
| - Szorítási erő, EN 12445 | Jóváhagyva |
| - Biztonságos használat, EN 12605 | Jóváhagyva |
| - Élettartamteszt, EN 12605 | Jóváhagyva |
| - Veszélyes anyagok, EN 13241-1 | |

Torslanda, Svédország, 2012-11-09

Frank Achterboch, Supply Chain Director

IT CE - Certificato di conformità

I sottoscritti, **Entrematic Sweden AB, Box 160, 42321 Torslanda, Svezia**, Certificiamo con la presente che il prodotto **One Piece Door** è stato realizzato ed elaborato in conformità con le prescrizioni contenute nelle seguenti direttive:

Direttiva sui materiali da costruzione 89/106/CE

Il prodotto è conforme con le prescrizioni contenute nelle seguenti normative armonizzate: EN 13241-1 (Allegato ZA)

Sono stati eseguiti dei test da parte dei seguenti organismi certificati:

ITB Instytut Techniki Budowlanej, Warsaw, Poland (European Notified Body Ne 1488)

Risultato dei test:

- | | |
|-------------------------------------|-----------|
| - Permeabilità all'aria, EN 12427 | Classe 0 |
| - Permeabilità all'acqua, EN 12489 | Classe 0 |
| - Carico dovuto al vento, EN 12424 | Classe 4 |
| - Forza di serraggio, EN 12445 | Approvato |
| - Sicurezza nell'utilizzo, EN 12605 | Approvato |
| - Prova di longevità, EN 12605 | Approvato |
| - Sostanze pericolose, EN 13241-1 | |

Torslanda, Svezia, 2012-11-09

Frank Achterboch, Supply Chain Director

SI EU – izjava o skladnosti

Mi, podjetje **Entrematic Sweden AB, Box 160, SE-42321 Torslanda, Švedska**, na Lastno odgovornost izjavljamo, da je izdelek **One Piece Door** skladen z osnovnimi zahtevami in drugimi določili iz naslednjih direktiv:

Direktive o gradbenih izdelkih 89/106/ES

Izdelek je skladen z zahtevami iz naslednjih usklajenih standardov:

EN 13241-1 (Priloga ZA)

Preskuse je izvedel naslednji akreditiran organ:

ITB Instytut Techniki Budowlanej, Warsaw, Poland (European Notified Body Ne 1488)

Izidi preizkusa:

- | | |
|------------------------------------------|----------|
| - zračna prepustnost, EN 12427 | razred 0 |
| - odpornost na pronicanje vode, EN 12489 | razred 0 |
| - vetrna obremenitev, EN 12424 | razred 4 |
| - sila ujetja, EN 12445 | odobreno |
| - varna uporaba, EN 12605 | odobreno |
| - mehanska vzdržljivost, EN 12605 | odobreno |
| - nevarne snovi, EN 13241-1 | |

Torslanda, Švedska, 2012-11-09

Frank Achterboch, Supply Chain Director

CZ ES - Prohlášení o shodě

My, společnost **Entrematic Sweden AB, Box 160, 42321 Torslanda, Švédsko**, tímto prohlašujeme, že výrobek **One Piece Door** vyhovuje požadavkům níže uvedených směrnic:

Směrnice pro stavební výrobky 89/106/ES

Výrobek vyhovuje základním požadavkům níže uvedených harmonizovaných norem: EN 13241-1 (Příloha ZA)

Zkoušky byly provedeny následujícím akreditovaným orgánem:

ITB Instytut Techniki Budowlanej, Warsaw, Poland (European Notified Body Ne 1488)

Výsledky provedených testů:

- Průvzdušnost, EN 12427	Třída 0
- Odolnost proti průniku vody, EN 12489	Třída 0
- Odolnost proti zatížení větrem, EN 12424	Třída 4
- Bezpečnost při používání motoricky ovládaných vrat, měření sil přivření EN 12445	Schváleno
- Bezpečné použití, EN 12605	Schváleno
- Zkouška trvanlivosti, EN 12605	Schváleno
- Nebezpečné látky, EN 13241-1	

Torslanda, Švédsko, 2012-11-09



Frank Achterboch, Supply Chain Director

RO Declarație de conformitate UE

Noi, **Entrematic Sweden AB, Box 160, SE-42321 Torslanda, Suedia**, declarăm pe proprie răspundere că produsul **One Piece Door** se conformează cerințelor esențiale și altor prevederi ale următoarelor directive:

Directiva privind produsele pentru construcții 89/106/CE

Produsul se conformează cerințelor următoarelor standarde armonizate:

EN 13241-1 (Anexa ZA)

Au fost efectuate teste de următoarea instituție abilitată:

ITB Instytut Techniki Budowlanej, Warsaw, Poland (European Notified Body Ne 1488)

Rezultatele testelor:

- Permeabilitate la aer, EN 12427	clasa 0
- Rezistență la pătrunderea apei, EN 12489	clasa 0
- Încărcare din vânt, EN 12424	clasa 4
- Forțe de prindere, EN 12445	aprobat
- Siguranță în exploatare, EN 12605	aprobat
- Durabilitate mecanică, EN 12605	aprobat
- Substanțe periculoase, EN 13241-1	

Torslanda, Suedia, 2012-11-09



Frank Achterboch, Supply Chain Director

CE

Normstahl